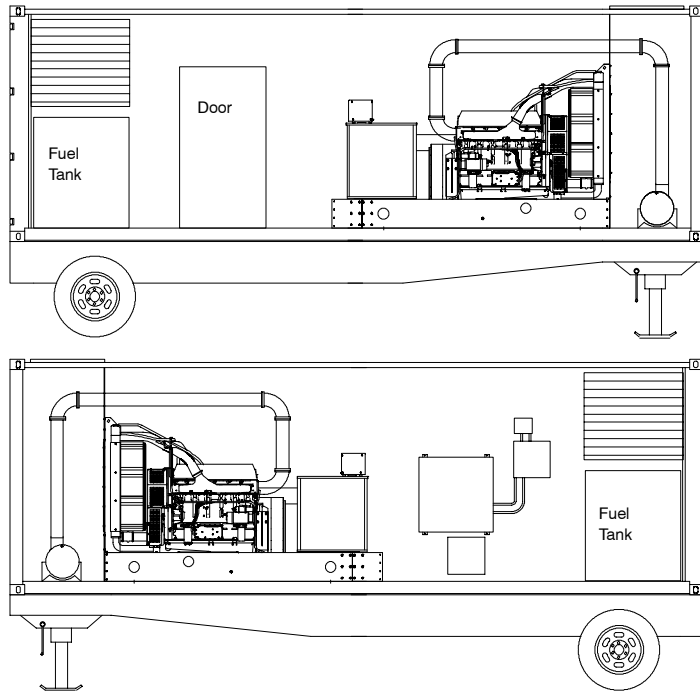


Models: **300–2000 kW**

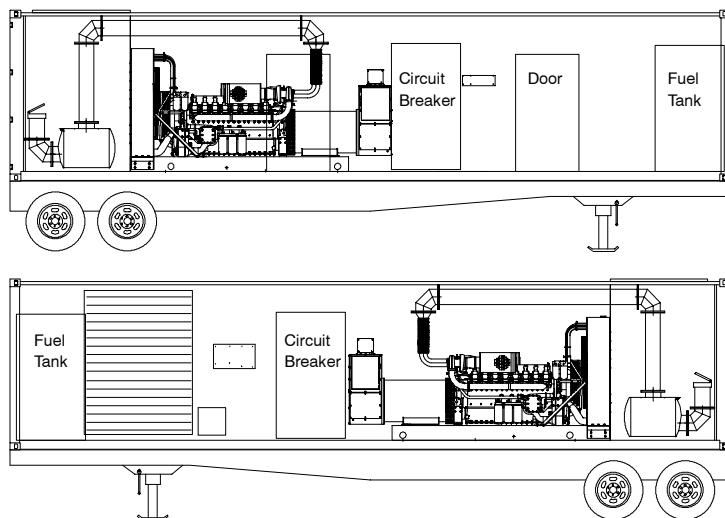
KOHLER RENTAL POWER

Diesel

Industrial Rental Trailer-Mounted Generator Sets



300–600 kW Models



800–2000 kW Models

- Kohler Rental Power provides one-source responsibility for the power generating system and accessories.
- Generator set features:
 - Premium sound-attenuated ISO container
 - Circuit breaker in a NEMA 1 enclosure (600–2000 kW)
 - Internal fuel tank with external fuel inlet
 - AC input connection (shore power) box for block heater and battery charger
 - Easy access cable hatch with locking capabilities
 - Additional engine and generator specifications listed on the respective generator set model's spec sheet
- Trailer features:
 - Fire extinguisher
 - Work lights with timer
 - Stowable stairs with safety railing
 - Running lights with standard DOT 7-way receptacle and emergency/service glad hands
- Engine features:
 - Battery, battery rack, and battery cables
 - Battery charger
 - Electronic isochronous governor providing precise frequency regulation
 - Engine block heater
 - Exhaust silencer

Trailer-Mounted Generator Set Specifications

Generator Set	Trailer† Length mm (in.)	Trailer† Width mm (in.)	Trailer† Height mm (in.)	Generator Set Weight, kg (lb.)	Gross Weight* kg (lb.)	Fuel Tank L (gal.)
300 kW	8534 (336)	2438 (96)	4064 (160)	3032 (6684)	9072 (20000)	2120 (560)
400 kW	8534 (336)			3461 (7630)	9072 (20000)	2461 (650)
600 kW	8534 (336)			4750 (10472)	9979 (22000)	2461 (650)
800 kW	12192 (480)			5930 (13073)	16783 (37000)	3785 (1000)
1000 kW	12192 (480)			7200 (15873)	16783 (37000)	3785 (1000)
1500 kW	12192 (480)			13691 (30184)	25855 (57000)	3785 (1000)
1750 kW	12192 (480)			15649 (34500)	27216 (60000)	3785 (1000)
2000 kW	12192 (480)			15876 (35000)	27669 (61000)	3785 (1000)

* Gross weight includes trailer, generator set, and fuel tank without fuel.

† Trailer dimensions include the enclosure, chassis, and axle/wheels.

Generator Set Specifications

Generator Set	Generator Model 208/480 Volt	Generator Model 600 Volt	130°C Rise Standby Rating‡					
			208 Volt, 3 Phase		480 Volt, 3 Phase		600 Volt, 3 Phase	
			Amps	kW/kVA	Amps	kW/kVA	Amps	kW/kVA
300 kW	4UA13	4UA13	1041	300/375	451	300/375	361	300/375
400 kW	5M4027	NA	1423	410/513	616	410/513	NA	NA
600 kW	5M4030	5M4272	NA	NA	902	600/750	722	600/750
800 kW	5M4036	NA	NA	NA	1218	810/1013	NA	NA
1000 kW	5M4044	7M4282	NA	NA	1534	1020/1275	1203	1000/1250
1500 kW	7M4050	NA	NA	NA	2255	1500/1875	NA	NA
1750 kW	7M4052	NA	NA	NA	2631	1750/2188	NA	NA
2000 kW	7M4054	NA	NA	NA	3007	2000/2500	NA	NA

‡ Other voltages are available using selector switch and voltage adjustment control. See the available voltage choices in the Voltage Selector Switch Models table. The 600-volt models do not have selector switches and are not reconnectable. See the respective spec sheets for specifications not shown. See the Additional Literature table for generator set and controller spec sheet part numbers.

NA Not available

Generator Set	Engine	Fuel Consumption Lph (gph)				Sound Level dBA with No Load at 7 m (23 ft.)
		25% Load	50% Load	75% Load	100% Load	
300 kW	DDC Series 60	22.7 (6.0)	42.0 (11.1)	61.7 (16.3)	82.5 (21.8)	72
400 kW	DDC Series 60	30.3 (8.0)	54.9 (14.5)	83.3 (22.0)	114.3 (30.2)	72
600 kW	DDC Series 2000	47.5 (12.6)	83.9 (22.2)	122.4 (32.3)	169.5 (44.8)	72
800 kW	DDC Series 2000	62.9 (16.6)	108.4 (28.6)	161.8 (42.7)	217.6 (57.5)	78
1000 kW	DDC Series 2000	77.5 (20.5)	138.9 (36.7)	202.3 (53.4)	277.1 (73.2)	78
1500 kW	DDC Series 4000	102.6 (27.2)	191.4 (50.6)	279.0 (73.6)	377.4 (99.7)	80
1750 kW	DDC Series 4000	133.2 (36.1)	229.8 (62.6)	327.6 (86.5)	435.0 (114.9)	82
2000 kW	DDC Series 4000	145.8 (38.6)	254.4 (67.2)	366.0 (96.7)	504.0 (133.2)	82

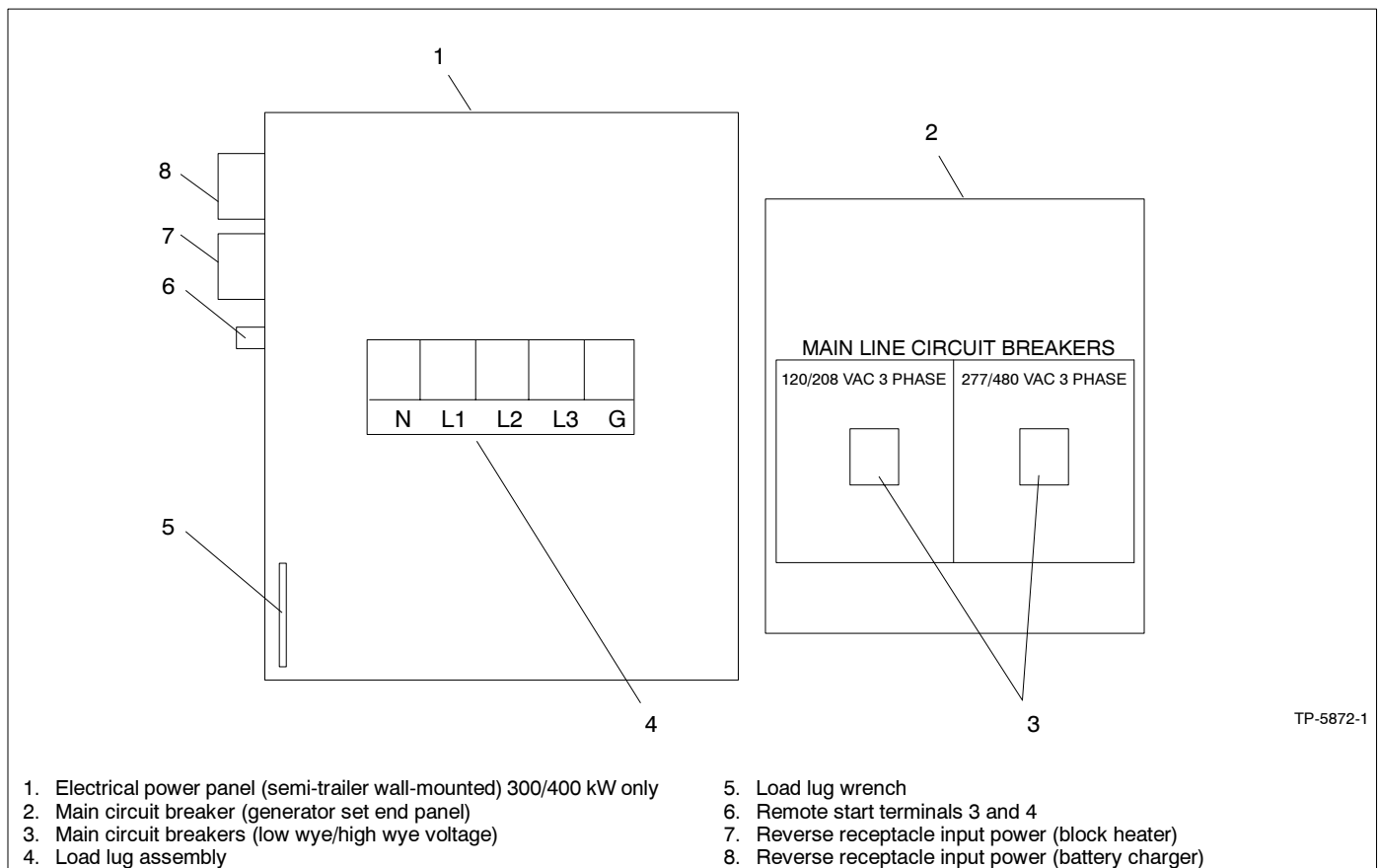
Electrical Power Panel Specifications

Voltage Selector Switch Models

kW	Load Lug Connections	Load Lug Circuit Breakers, Amp		Available Selector Switch Voltages 3 Phase, 60 Hz	Additional Voltages using the Voltage Adjustment Control, 3 Phase, 60 Hz	Shore Power Electrical Service and Hookup for Battery Charger and Block Heater	Remote Start Capability
		208-240 Volt	480 Volt				
300	(2) #4-500 MCM	1000	500	120/208 277/480	127/220 220/380 240/416	40 Amp/240 Volt Power Cord Required	Yes
400	(5) #3-750 MCM	1400	600				
600	(4) #3-600 MCM	1000		277/480 (No Selector Switch)	240/416		
800	(5) #3-500 MCM	1400					
1000	(5) #3-750 MCM	1600					
1500	(8) #3-750 MCM	2500					
1750	(9) #3-750 MCM	3000					
2000	(9) #3-750 MCM	3000					

600-Volt Models

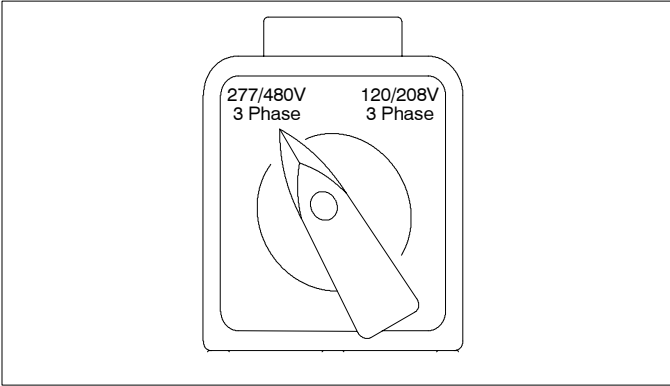
kW	Load Lug Connections	Load Lug Circuit Breakers, Amp	Available Voltages	Shore Power Electrical Service and Hookup for Battery Charger and Block Heater	Remote Start Capability
300	(2) #4-400 MCM	500	600 Volt, 3 Phase Only 60 Hz	40 Amp/240 Volt Power Cord Required	Yes
600	(3) 3/0-500 MCM	800			
1000	(4) 3/0-600 MCM	1200			



300/400 kW Electrical Power Panel and Main Circuit Breakers

Note: The 600-2000 kW models have the electrical power panel in a floor-mounted NEMA 1 circuit breaker enclosure.

Voltage Selector Switch



300/400 kW Voltage Selector Switch (except 600 volt)

Additional Literature

Generator Model	Generator Set Spec Sheet	Generator Set Controller	Controller Spec Sheet
300REOZDN	G5-143	Decision-Maker™ 340	G6-34
400REOZD-4N	G5-182		
600ROZD-4N	G5-190		
800ROZD-4N	G5-192		
1000ROZD-4N	G5-194		
1500ROZD-4N	G5-196		
1750ROZD-4N	G5-197		
2000ROZD-4N	G5-198		

Availability is subject to change without notice. Kohler Co. reserves the right to change the design or specifications without notice and without any obligation or liability whatsoever. Contact your local Kohler™ Rental Power regional office for availability.

DISTRIBUTED BY: