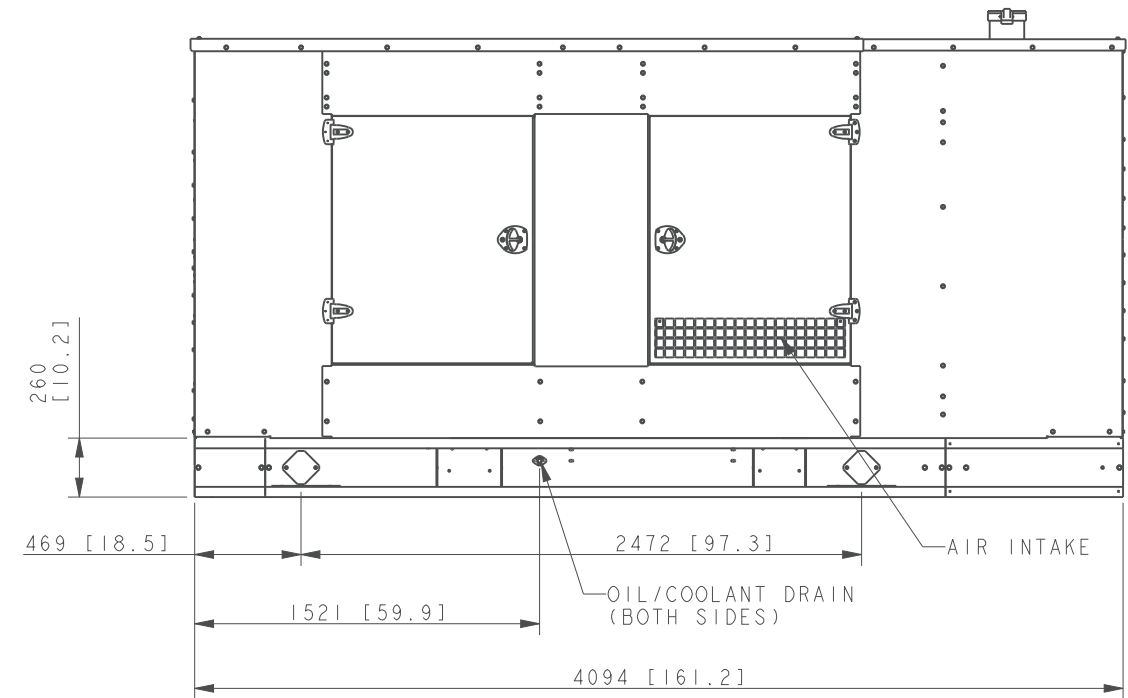
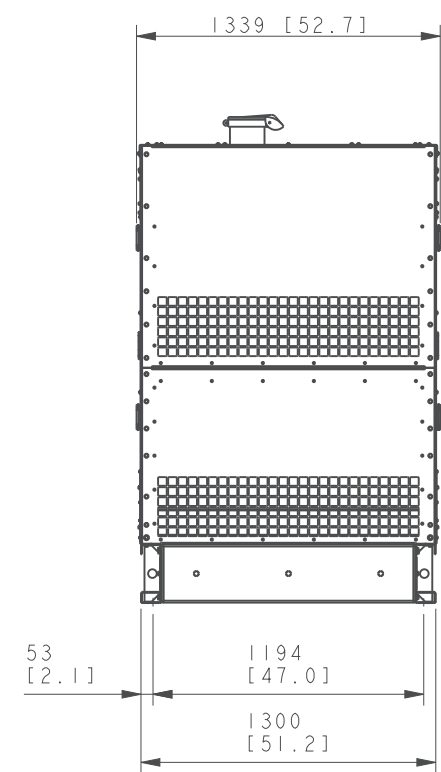
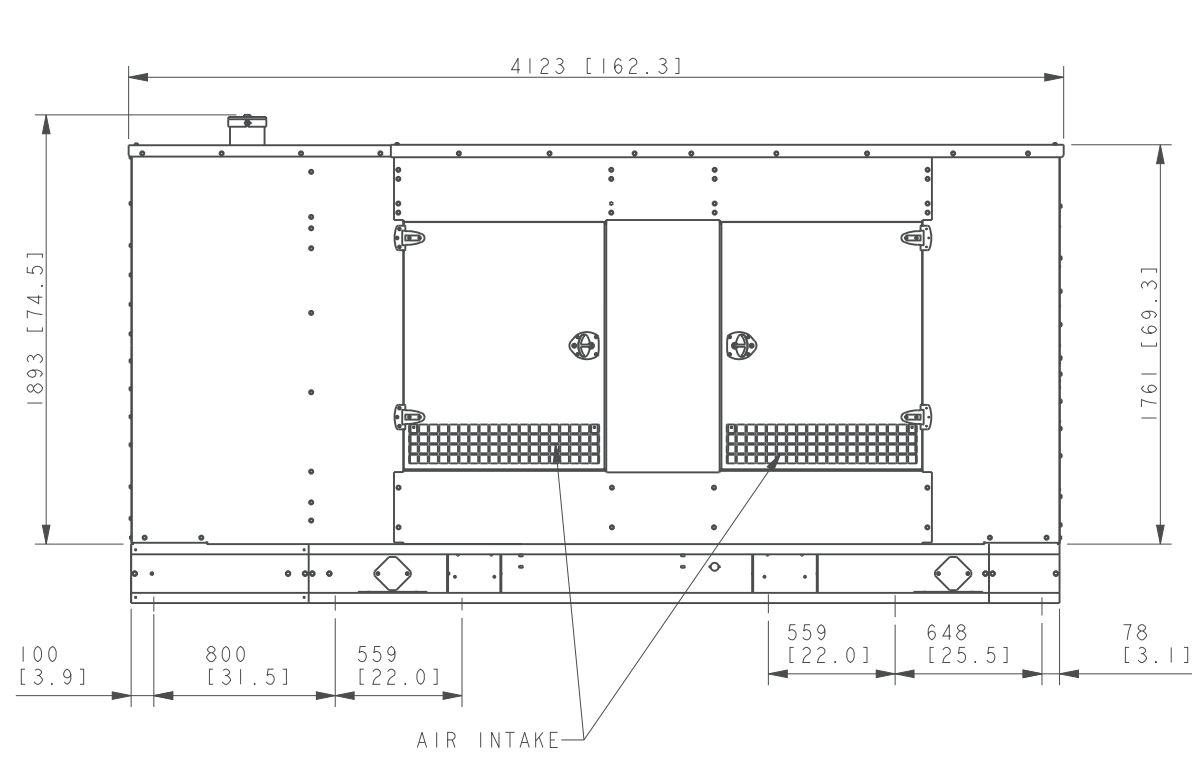
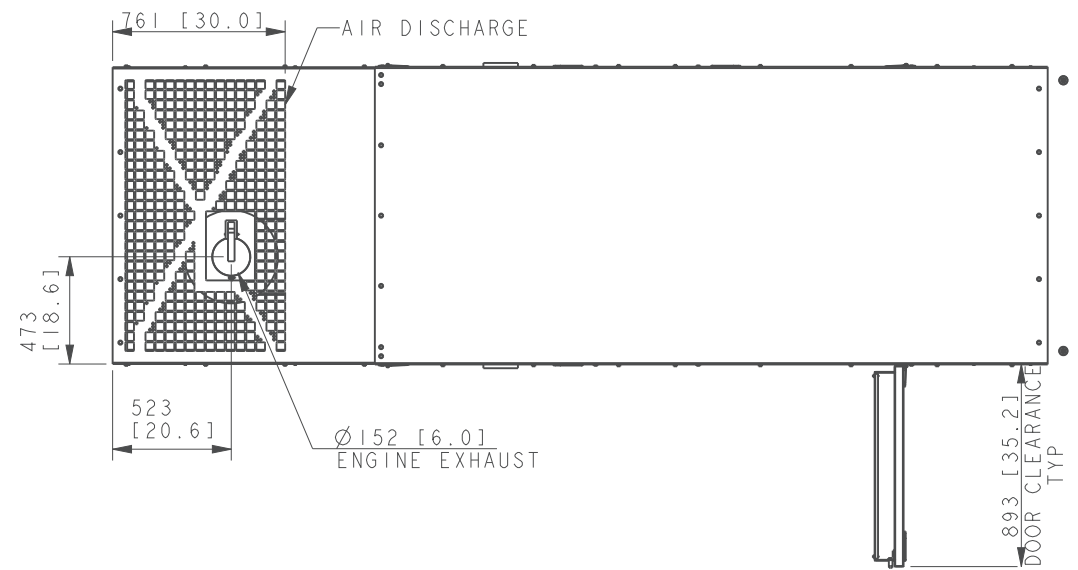


MODEL	ENCLOSURE WEIGHT KG [LBS]
STEEL WEATHER	363 [800]
STEEL SOUND	386 [850]
ALUMINIUM SOUND	238 [525]



- NOTE:**
- IF STANDARD TANK IS ORDERED, ENCLOSURE MOUNTS DIRECTLY TO TANK
 - IF STATE TANK IS ORDERED, TANK MOUNTS BELOW SKID
 - TANK MAY EXTEND BEYOND ENCLOSURE (DISCHARGE END ONLY)
 - FOR STUB-UP ACCESS DURING INSTALLATION THE REAR ENCLOSURE PANEL SHOULD BE REMOVED.

230-300 MODEL
JOHN DEERE TIER III

REV	DATE	ON COMPOSITE DWGS. SEE PART NO. FOR REVISION LEVEL	BY	UNLESS OTHERWISE SPECIFIED - 1) DIMENSIONS ARE IN MILLIMETERS 2) TOLERANCES ARE:
E	10-31-12	SHEET 2 WAS SHEET 1, ADDED SHEET 1 [CT28612]	CEK	X.XX ± 0.25
F	2-5-13	(A-1) 1-4 WAS 1-2, SEE SHEET 3 AND 4 [CT32174]	SAM	X.X ± 1.0
G	8-4-17	(D-6) DIM. Ø152.4 (6.00) ADDED [CT177004]	SRM	X ± 1.5
H	11-22-18	VIEWS UPDATED, SEE SHEET 2,3 & 4 [CT191932]	YPW	ANGLES ± 0° 30' MAX.

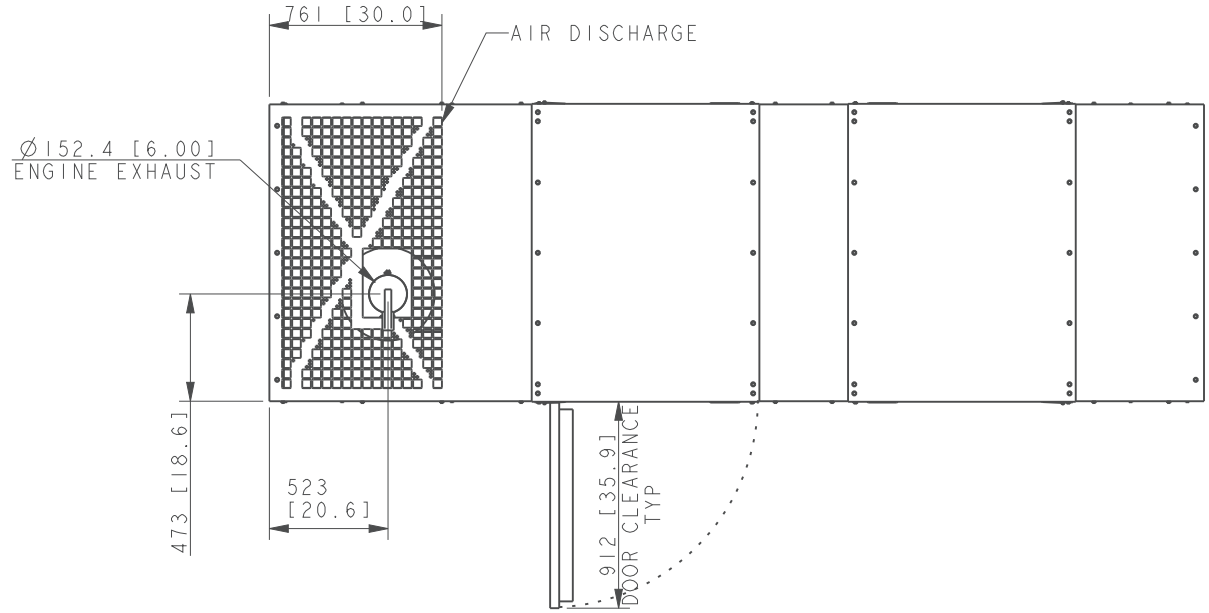
KOHLER CO. METRIC PRO-E
POWER SYSTEMS, KOHLER, WI 53044 U.S.A.
THIS DRAWING IN DESIGN AND DETAIL IS KOHLER CO. PROPERTY AND MUST NOT BE USED EXCEPT IN CONNECTION WITH KOHLER CO. WORK. ALL RIGHTS OF DESIGN OR INVENTION ARE RESERVED.

TITLE: **DIMENSION PRINT 230-300KW JD**

SCALE: 0.06 CAD NO. SHEET 1 of 4
DWG NO. **ADV-7644**

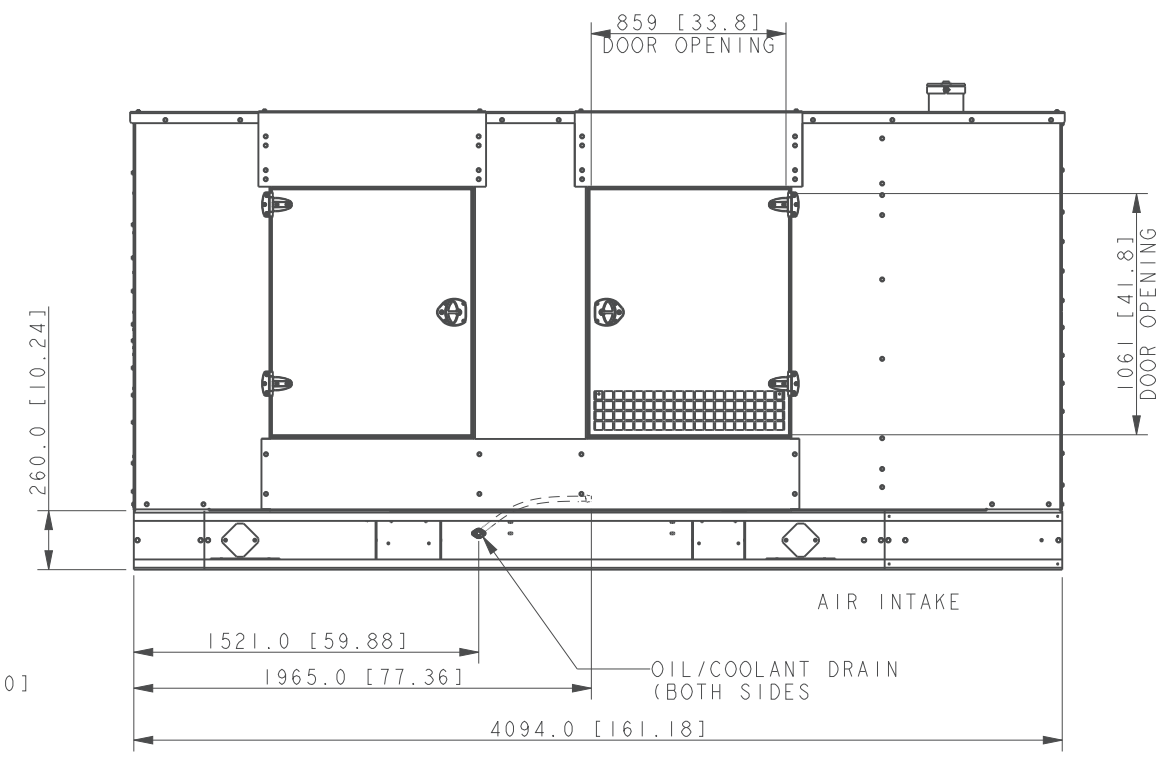
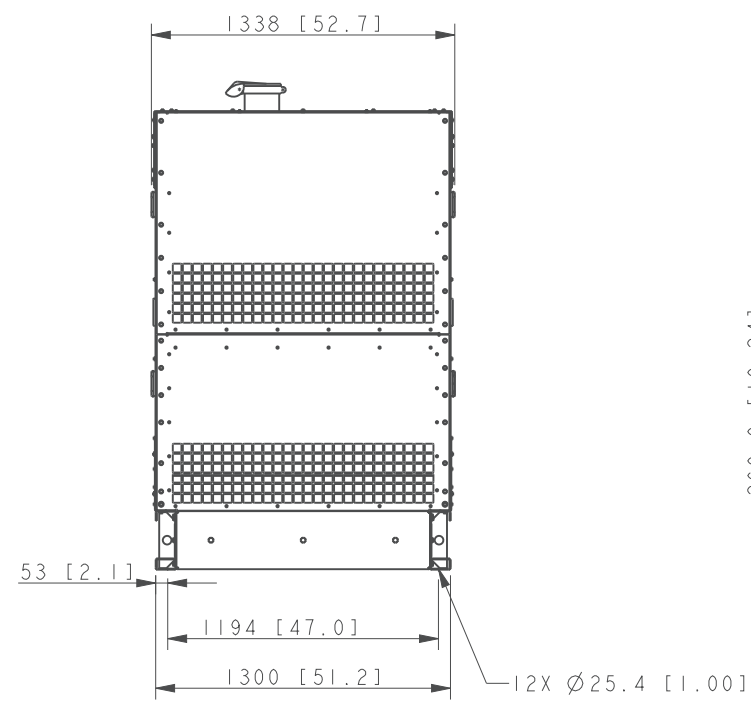
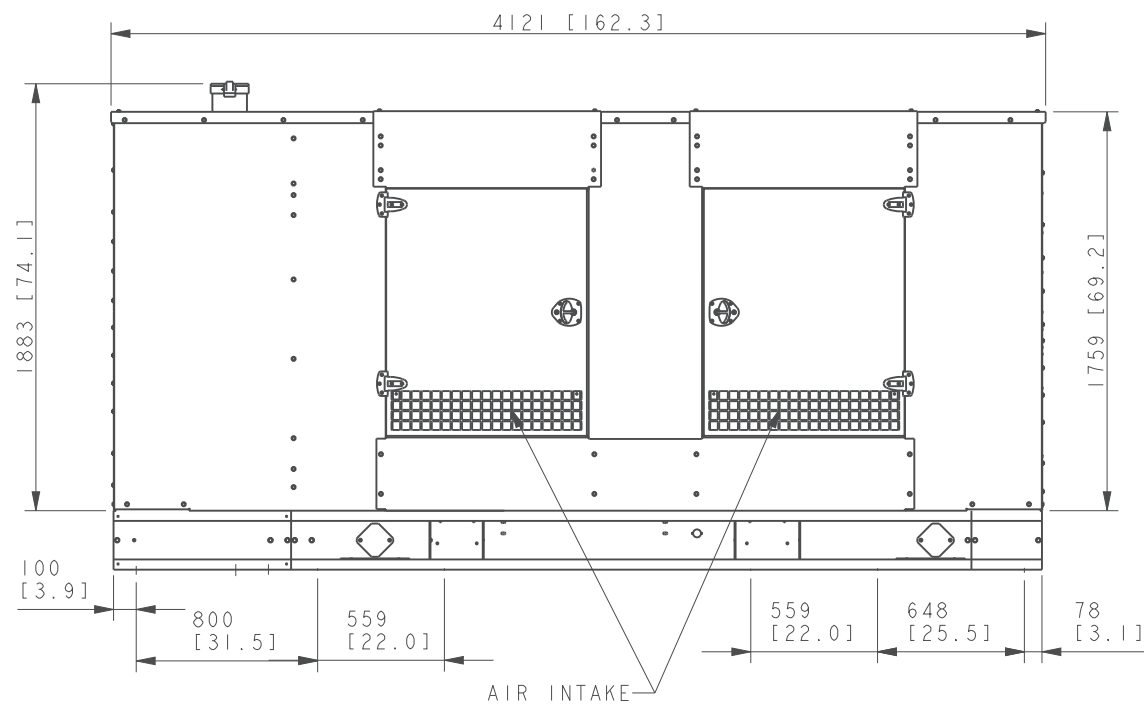
APPROVALS: DRAWN: DJV 10-24-08, CHECKED: CWF 10-24-08, APPROVED: SLJ 10-24-08

MODEL	ENCLOSURE WEIGHT KG [LBS]
STEEL WEATHER	363 [800]
STEEL SOUND	386 [850]
ALUMINIUM SOUND	238 [525]



NOTE:

1. IF STANDARD TANK IS ORDERED, ENCLOSURE MOUNTS DIRECTLY TO TANK
2. IF STATE TANK IS ORDERED, TANK MOUNTS BELOW SKID
3. TANK MAY EXTEND BEYOND ENCLOSURE (DISCHARGE END ONLY)
4. FOR STUB-UP ACCESS DURING INSTALLATION THE REAR ENCLOSURE PANEL SHOULD BE REMOVED.



DIMENSIONS IN [] ARE IN ENGLISH EQUIVALENTS.

230-300 MODEL
JOHN DEERE TIER III
IBC/ OSHPD

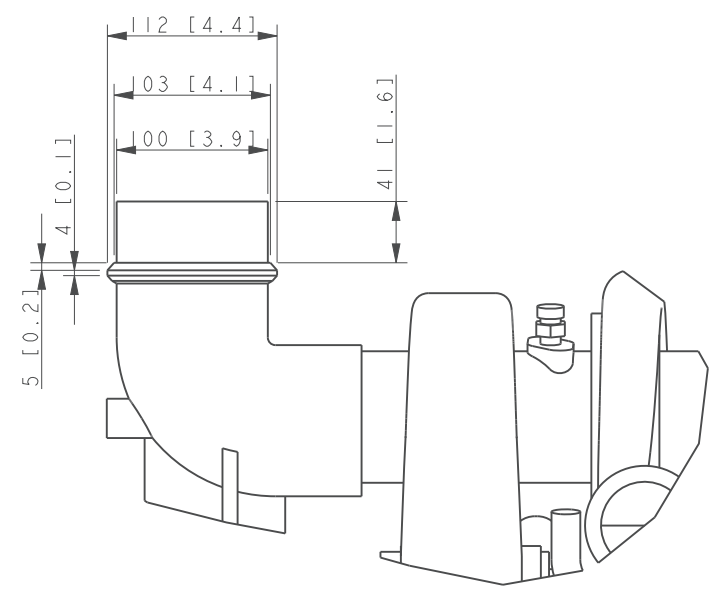
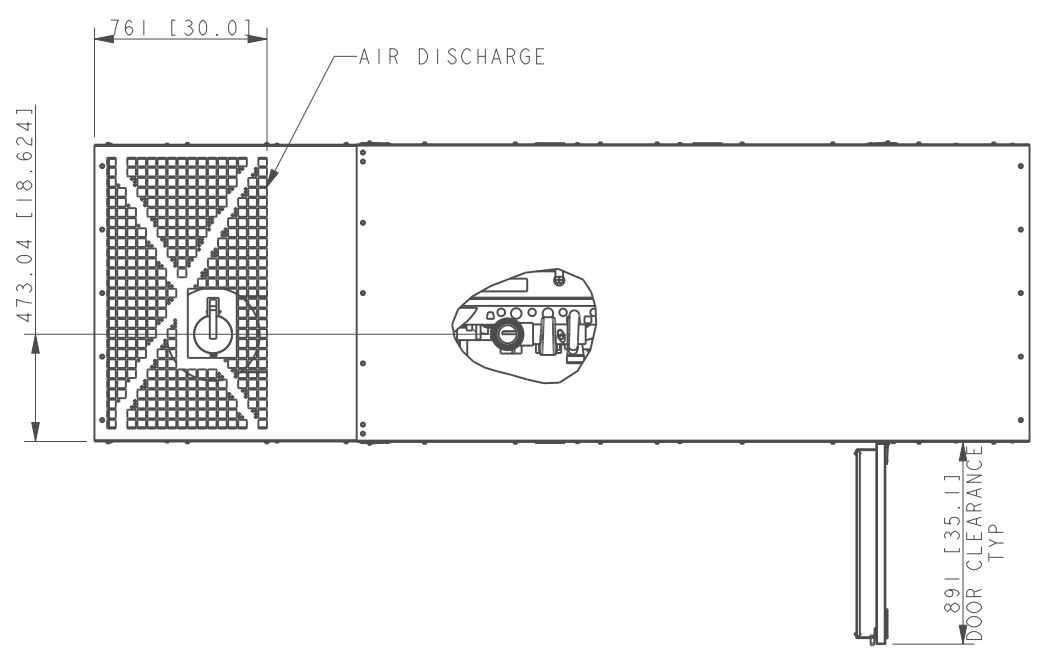
REV	DATE	ON COMPOSITE DWGS. SEE PART NO. FOR REVISION LEVEL	BY	UNLESS OTHERWISE SPECIFIED - 1) DIMENSIONS ARE IN MILLIMETERS 2) TOLERANCES ARE:	APPROVALS	DATE
B	10-7-10	(D-6) 523 WAS 588, (C-6) 761 WAS 713, (B-2) 4121.4 WAS 4100.0 [90099-5]	RJS	X.XX ± 0.25 X.X ± 1.0 X ± 1.5	SAM	10-24-08
C	3-16-11	(A-8) 260.0 WAS 200.0 [91189]	SAM	ANGLES ± 0° 30'	CEK	10-24-08
D	6-20-11	(C-3) STUB-UP NOTE ADDED [91752]	SAM	THIRD ANGLE PROJECTION	SRM	10-24-08
E	10-31-12	SHEET2 WAS SHEET 1, ADDED SHEET 1 [CT28612]	CEK		SRM	10-24-08
F	2-5-13	(A-1) 2-4 WAS 2-2, SEE SHEET 3 AND 4 [CT32174]	SAM		SRM	10-24-08
G	8-4-17	(C-5) DIM. Ø152.4 (6.00) ADDED; SEE SHEET 1 [CT177004]	YPW		SRM	10-24-08
H	11-22-18	VIEWS UPDATED, SEE SHEET 1,3 & 4 [CT191932]	YPW		YPW	10-24-08

KOHLER CO. METRIC PRO-E
POWER SYSTEMS, KOHLER, WI 53044 U.S.A.
THIS DRAWING IN DESIGN AND DETAIL IS KOHLER CO. PROPERTY AND MUST NOT BE USED EXCEPT IN CONNECTION WITH KOHLER CO. WORK. ALL RIGHTS OF DESIGN OR INVENTION ARE RESERVED.

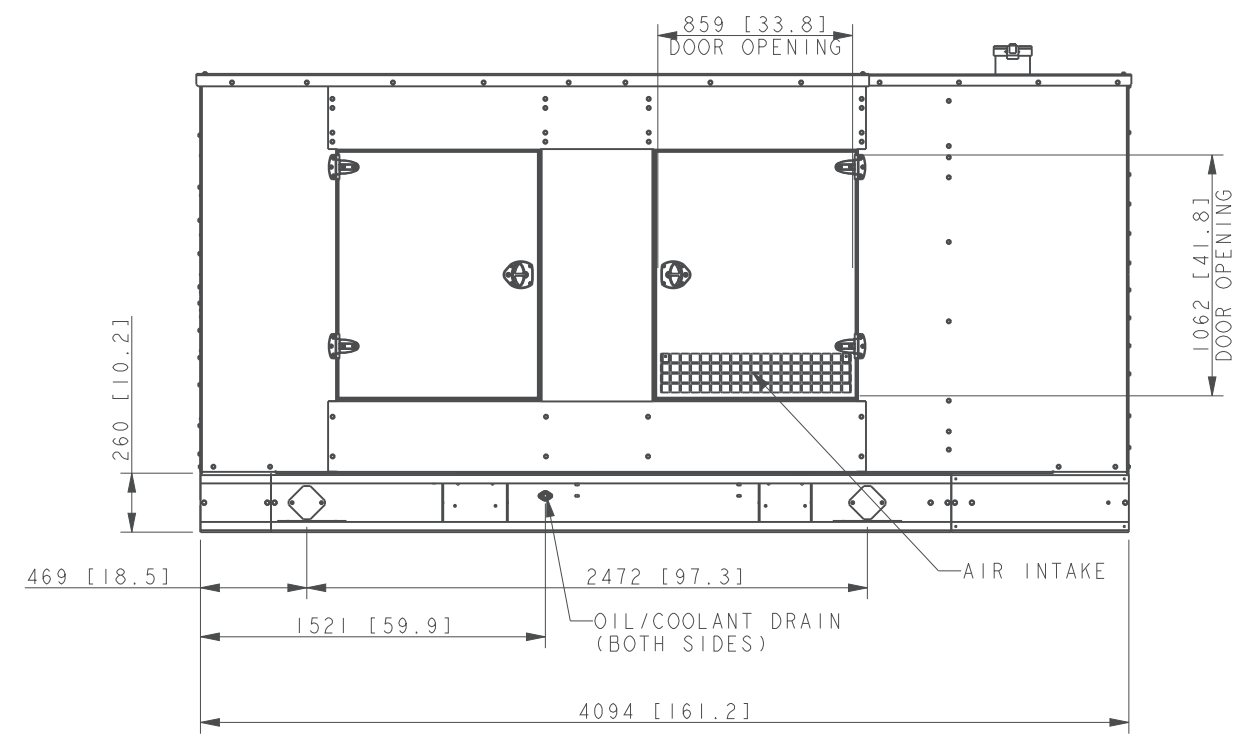
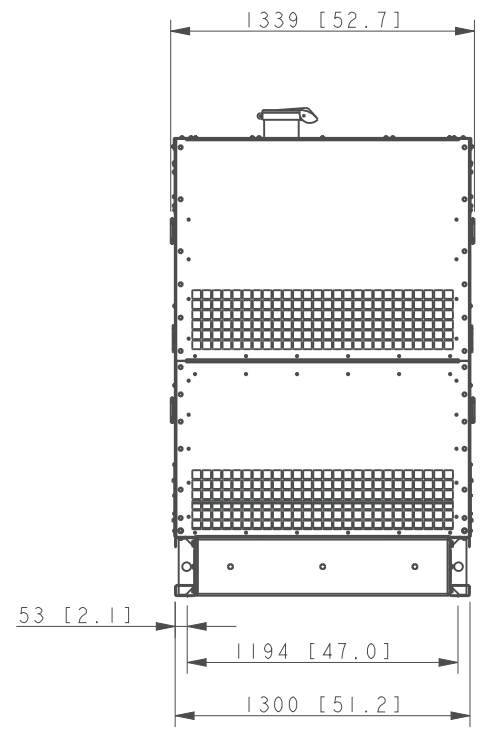
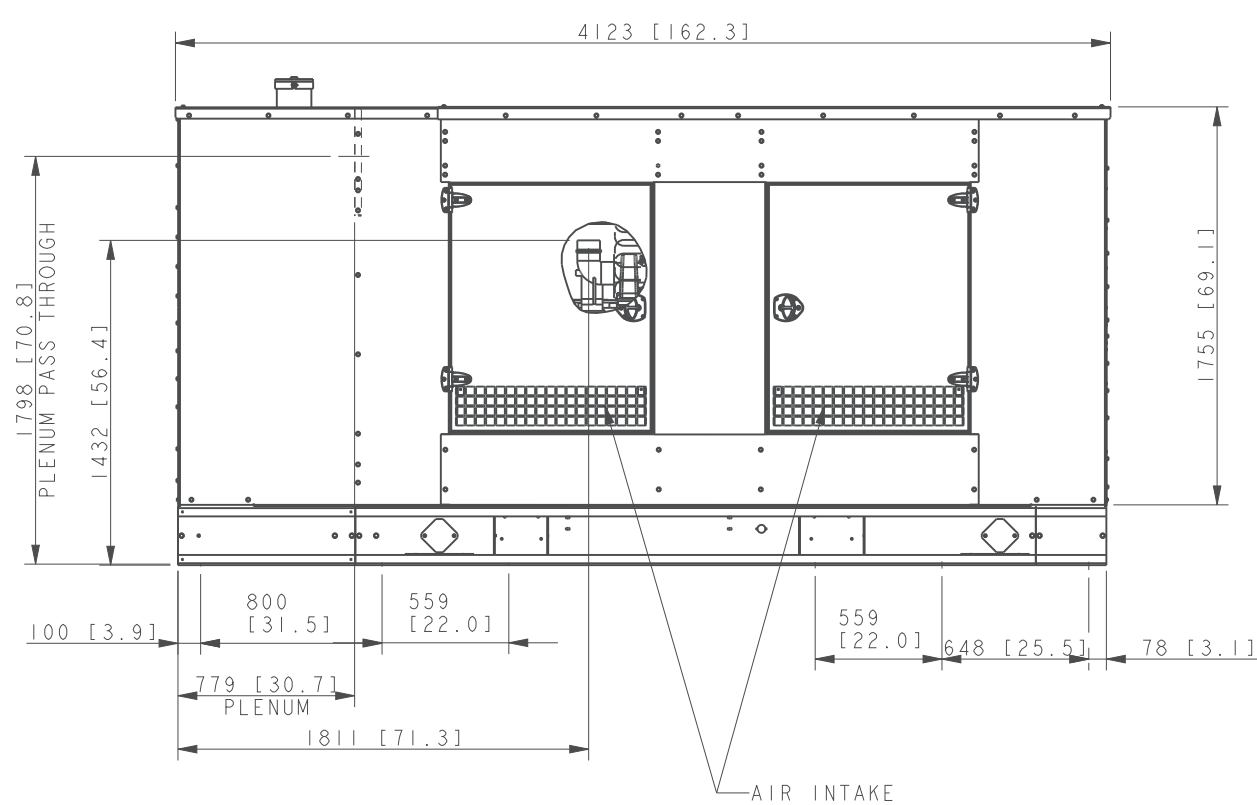
TITLE: **DIMENSION PRINT 230-300KW JD**

SCALE: 0.06 CAD NO. SHEET 2 of 4
DWG NO. **ADV-7644**

MODEL	ENCLOSURE WEIGHT KG [LBS]
STEEL WEATHER	302 [665]
STEEL SOUND	325 [715]
ALUMINIUM SOUND	177 [390]



EXHAUST OUTLET
SCALE 0.400



- NOTE:**
1. IF STANDARD TANK IS ORDERED, ENCLOSURE MOUNTS DIRECTLY TO TANK
 2. IF STATE TANK IS ORDERED, TANK MOUNTS BELOW SKID
 3. TANK MAY EXTEND BEYOND ENCLOSURE (DISCHARGE END ONLY)
 4. FOR STUB-UP ACCESS DURING INSTALLATION THE REAR ENCLOSURE PANEL SHOULD BE REMOVED.

**CA AQMD READY ENCLOSURES
(NO SILENCER)**

230-300 MODEL
JOHN DEERE TIER III

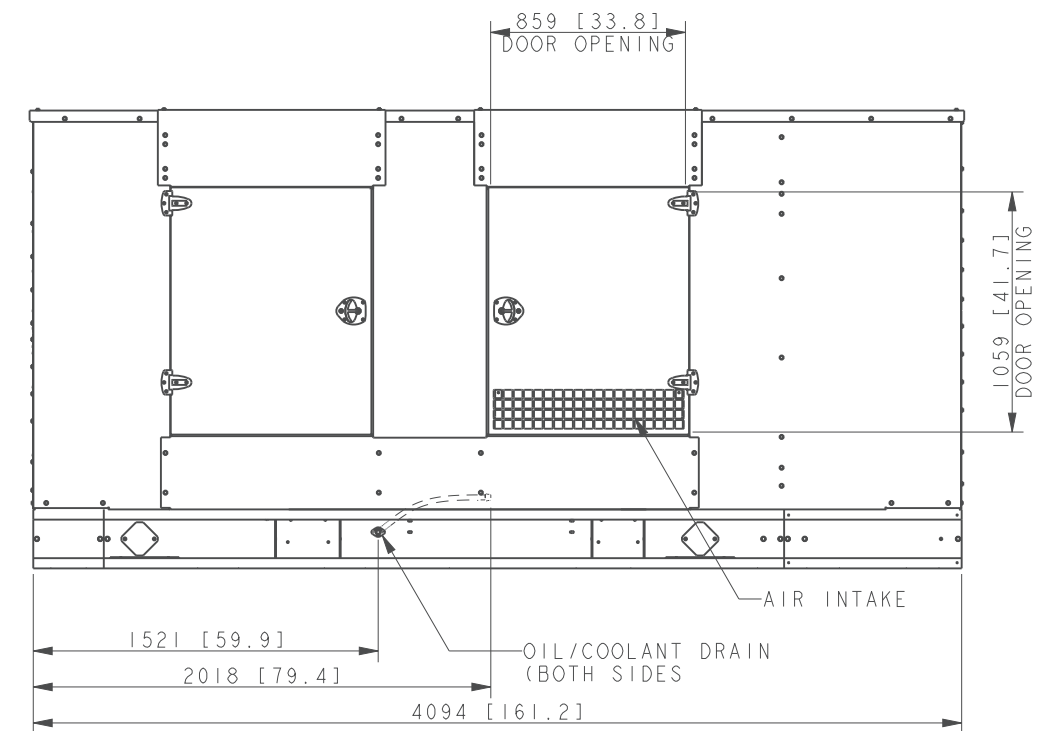
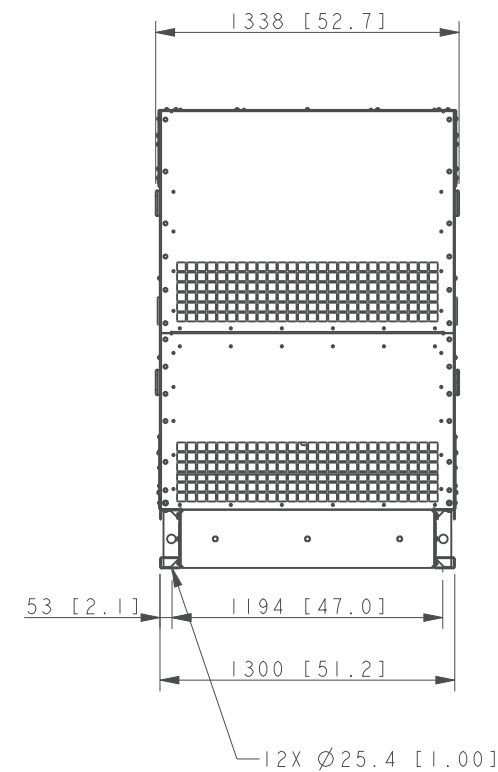
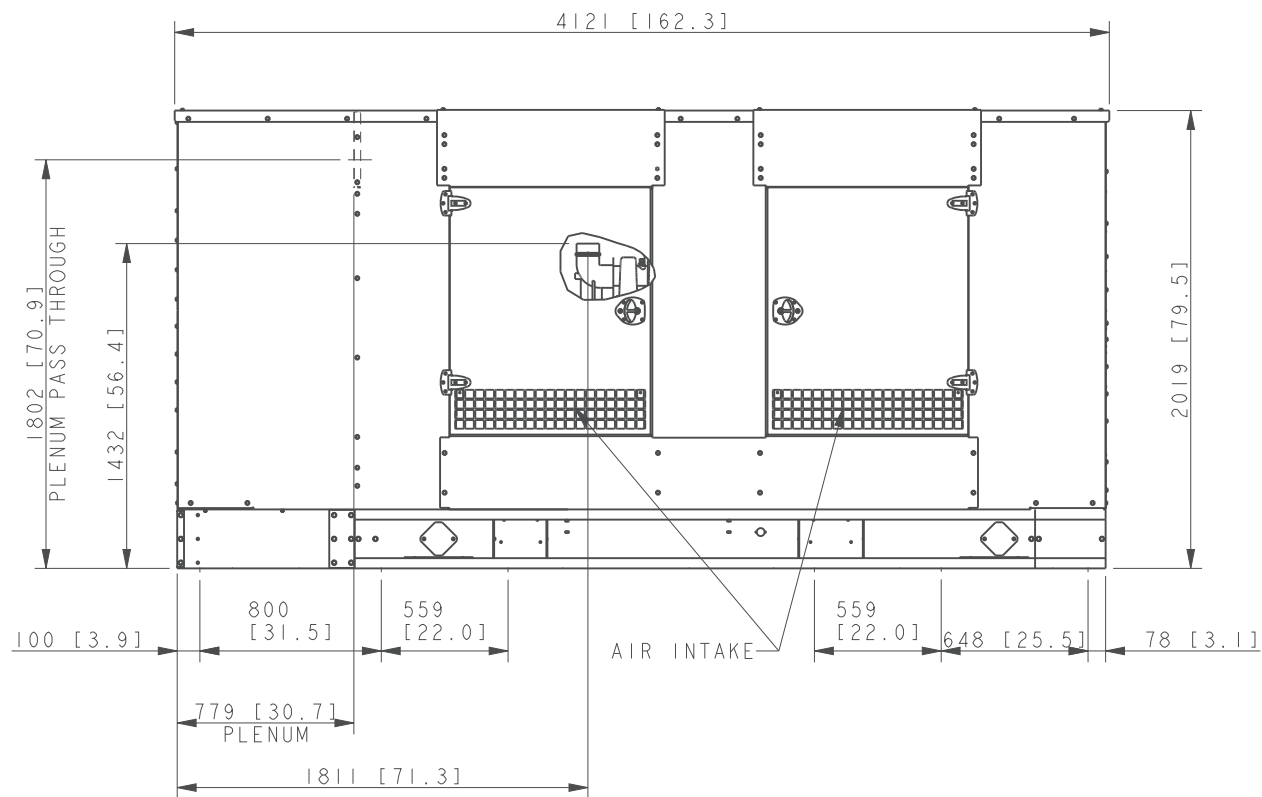
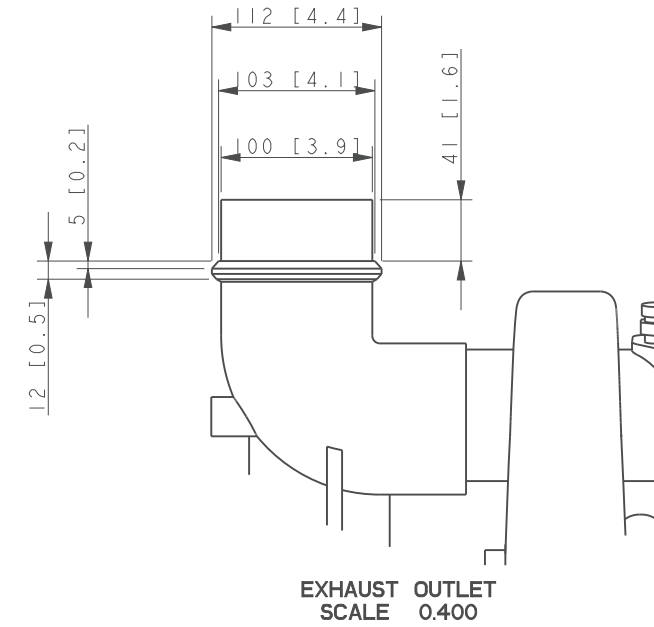
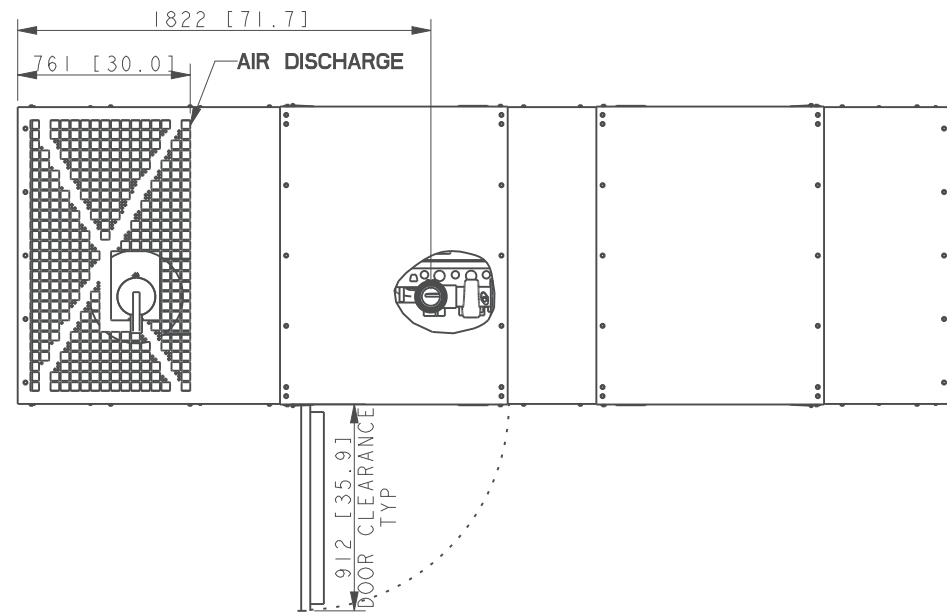
REV	DATE	ON COMPOSITE DWGS. SEE PART NO. FOR REVISION LEVEL	BY
F	2-5-13	SHEET 3 AND CA AQMD MODEL ADDED, SEE SHEET 4 [CT32174]	DJV
G	8-4-17	SEE SHEET 1 & 2 [CT177004]	SRM
H	11-22-18	VIEWS UPDATED, SEE SHEET 1,2 & 4 [CT191932]	YPW

KOHLER CO. METRIC PRO-E
POWER SYSTEMS, KOHLER, WI 53044 U.S.A.
THIS DRAWING IN DESIGN AND DETAIL IS KOHLER CO. PROPERTY AND MUST NOT BE USED EXCEPT IN CONNECTION WITH KOHLER CO. WORK. ALL RIGHTS OF DESIGN OR INVENTION ARE RESERVED.

TITLE: **DIMENSION PRINT 230-300KW JD**

SCALE: 0.06 CAD NO. SHEET 3 of 4
DWG NO. **ADV-7644**

MODEL	ENCLOSURE WEIGHT KG [LBS]
STEEL WEATHER	302 [665]
STEEL SOUND	325 [715]
ALUMINIUM SOUND	177 [390]



**CA AQMD READY ENCLOSURES
(NO SILENCER)**

NOTE:

1. IF STANDARD TANK IS ORDERED, ENCLOSURE MOUNTS DIRECTLY TO TANK
2. IF STATE TANK IS ORDERED, TANK MOUNTS BELOW SKID
3. TANK MAY EXTEND BEYOND ENCLOSURE (DISCHARGE END ONLY)
4. FOR STUB-UP ACCESS DURING INSTALLATION THE REAR ENCLOSURE PANEL SHOULD BE REMOVED.

**230-300 MODEL
JOHN DEERE TIER III
IBC/ OSHPD**

DIMENSIONS IN [] ARE IN ENGLISH EQUIVALENTS.

REV	DATE	ON COMPOSITE DWGS. SEE PART NO. FOR REVISION LEVEL	BY	UNLESS OTHERWISE SPECIFIED - 1) DIMENSIONS ARE IN MILLIMETERS 2) TOLERANCES ARE:	APPROVALS	DATE	TITLE
F	2-5-13	SHEET 4 AND CA AQMD MODEL ADDED, SEE SHEET 3 [CT32174]	SAM	X.XX ± 0.25 X.X ± 1.0 ANGLES ± 0° 30'	SAM	2-5-13	KOHLER CO. METRIC PRO-E POWER SYSTEMS, KOHLER, WI 53044 U.S.A. THIS DRAWING IN DESIGN AND DETAIL IS KOHLER CO. PROPERTY AND MUST NOT BE USED EXCEPT IN CONNECTION WITH KOHLER CO. WORK. ALL RIGHTS OF DESIGN OR INVENTION ARE RESERVED.
G	8-4-17	SEE SHEET 1 & 2 [CT177004]	SRM		KEM	2-5-13	DIMENSION PRINT 230-300KW JD
H	11-22-18	VIEWS UPDATED, SEE SHEET 1,2 & 3 [CT191932]	YPW		KEM	2-5-13	SCALE 0.06 CAD NO. SHEET 4 of 4 DWG NO. ADV-7644