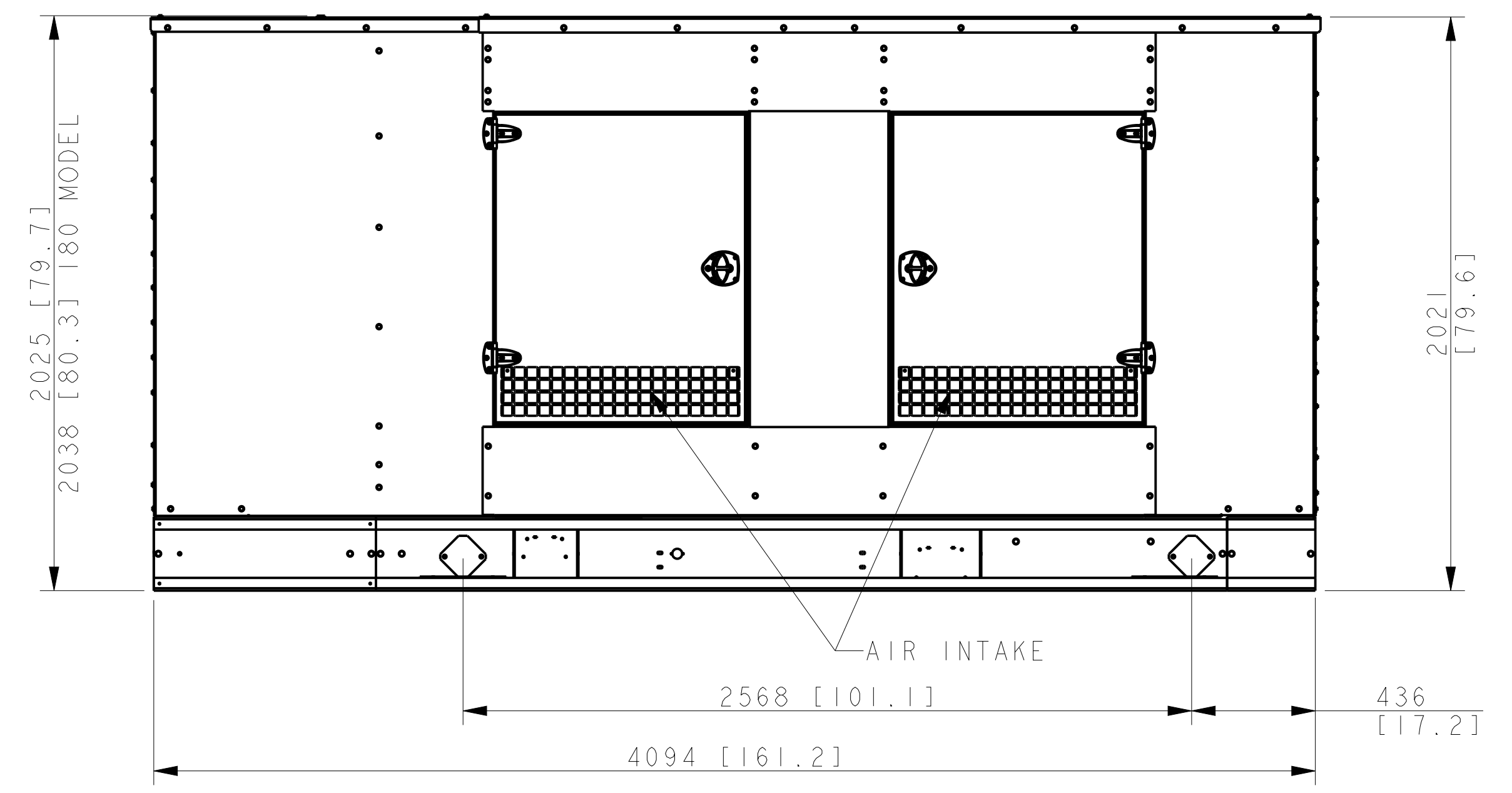
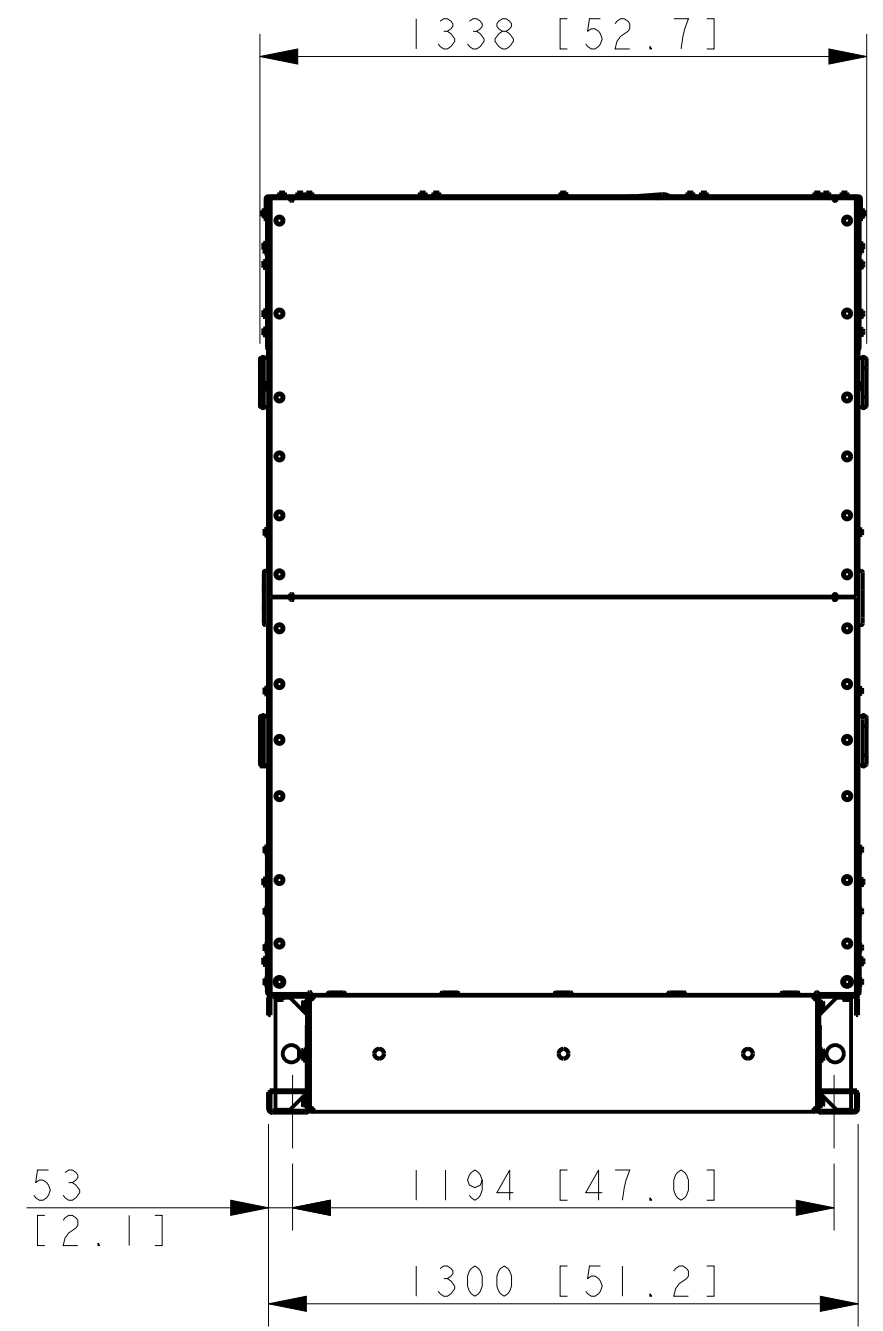
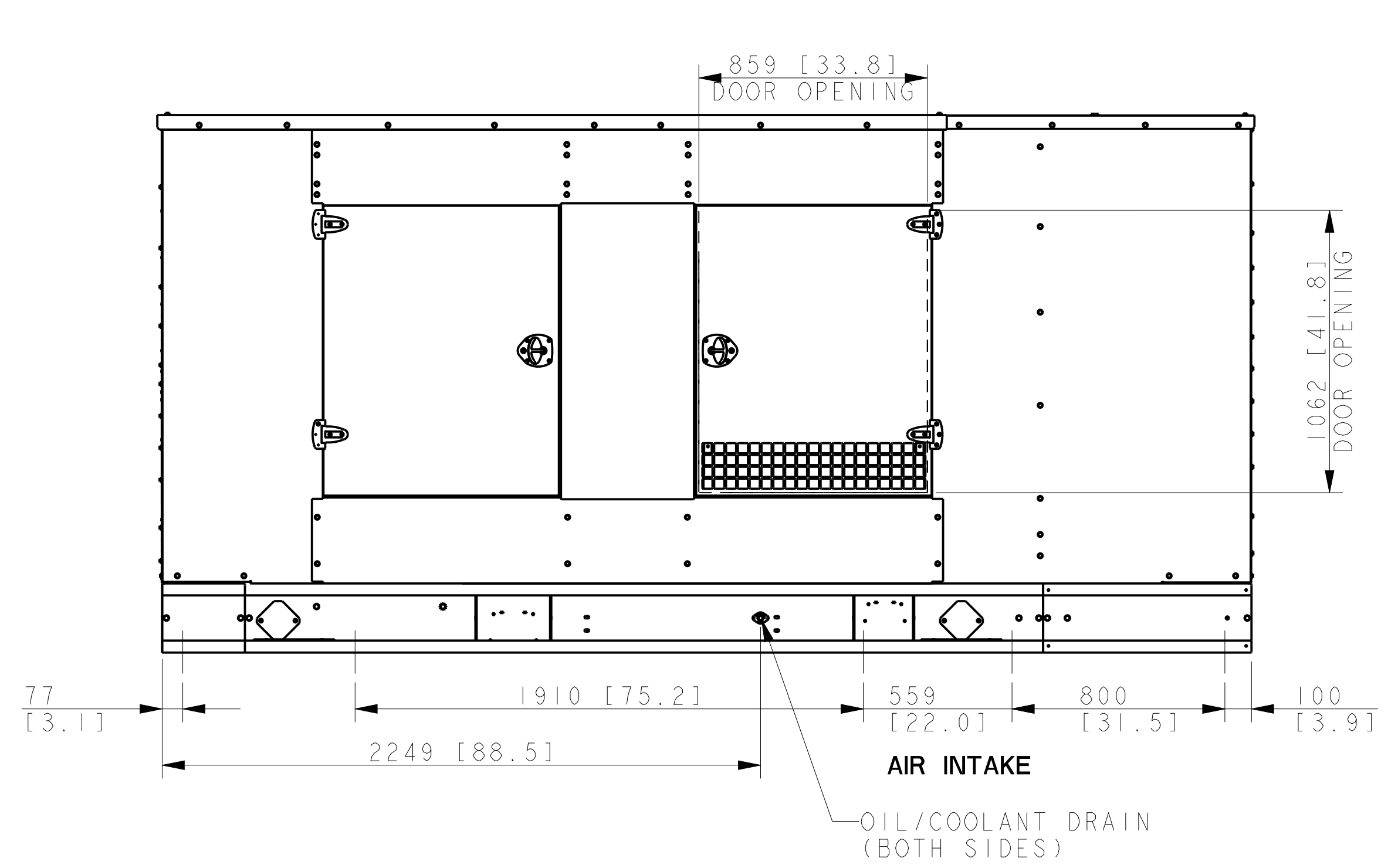
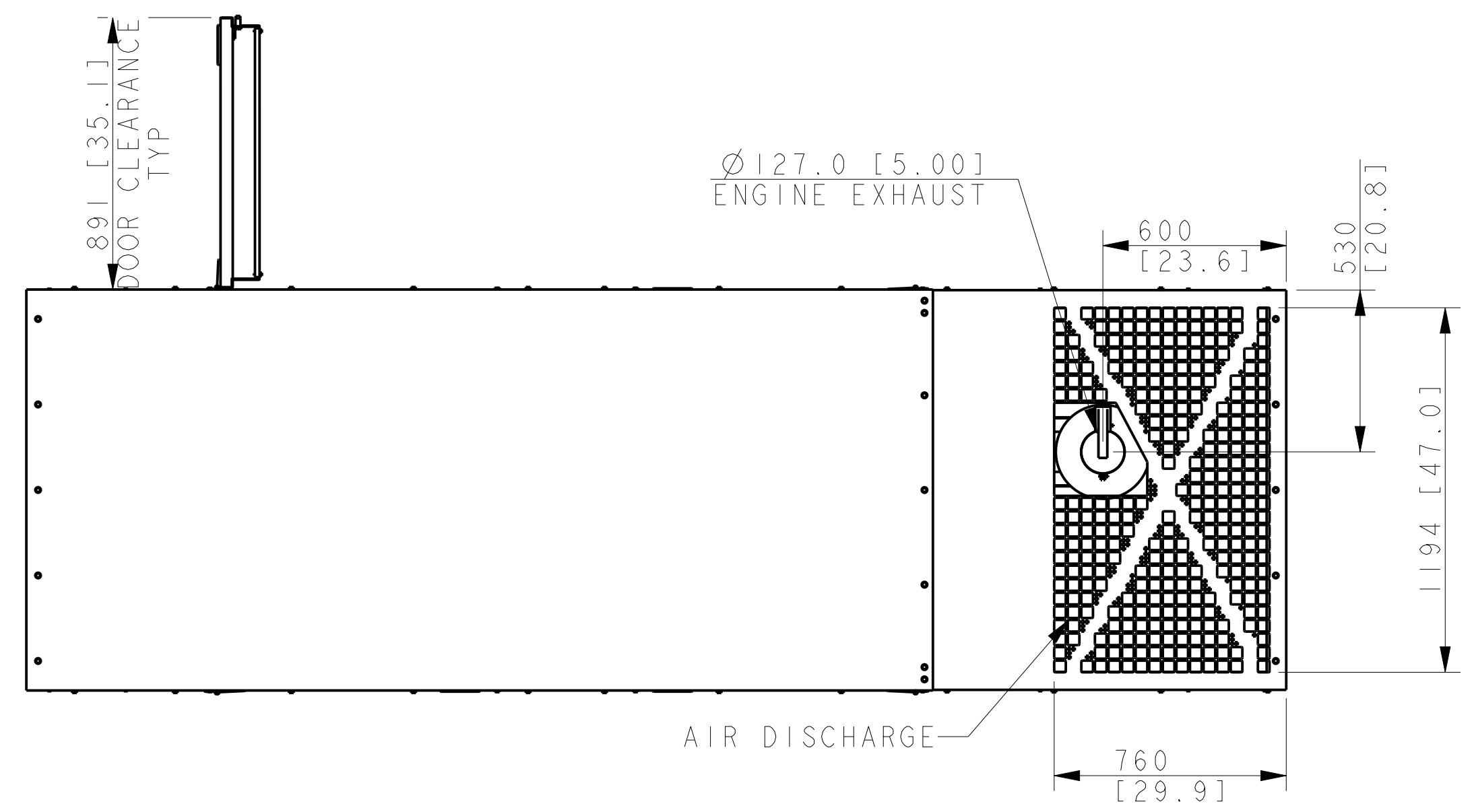


MODEL	ENCLOSURE WEIGHT KG [LBS]
STEEL WEATHER	494 [1090]
STEEL SOUND	585 [1290]
ALUMINUM SOUND	300 [660]



DIMENSIONS IN [ ] ARE INCH EQUIVALENTS

**NOTE:**  
ENCLOSURE ONLY MOUNTS TO SKID.  
FOR STUB-UP ACCESS DURING INSTALLATION THE REAR ENCLOSURE PANEL SHOULD BE REMOVED

180 MODEL 4S15, 4S12X, 4S13X  
200 MODEL 4UA9, 4UA13, 4S13X  
RECONNECTABLE  
IMPROVE MOTOR STARTING (IMS) RECONNECTABLE  
& 600V ALTERNATORS  
6068HF485 JOHN DEERE TIER III

REV	DATE	ON COMPOSITE DWGS, SEE PART NO. FOR REVISION LEVEL	BY	UNLESS OTHERWISE SPECIFIED - 1) DIMENSIONS ARE IN MILLIMETERS 2) TOLERANCES ARE:
G	10-31-12	SHEET 2 WAS SHEET, ADDED SHEET 1 [CT28612]	CEK	X.XX ± 0.25
H	2-5-13	(A-1) 1-3 WAS 1-2, SEE SHEET 3 [CT32174]	SAM	X.X ± 1.0
J	10-3-13	SHEET 3 REMOVED; SEE SHEET 2 [CT59787]	SVP	X ± 1.5
K	9-25-17	(D-6) DIM. Ø127.0 [5.00] ADDED [CT177004]	SRM	ANGLES ± 0° 30' MAX.

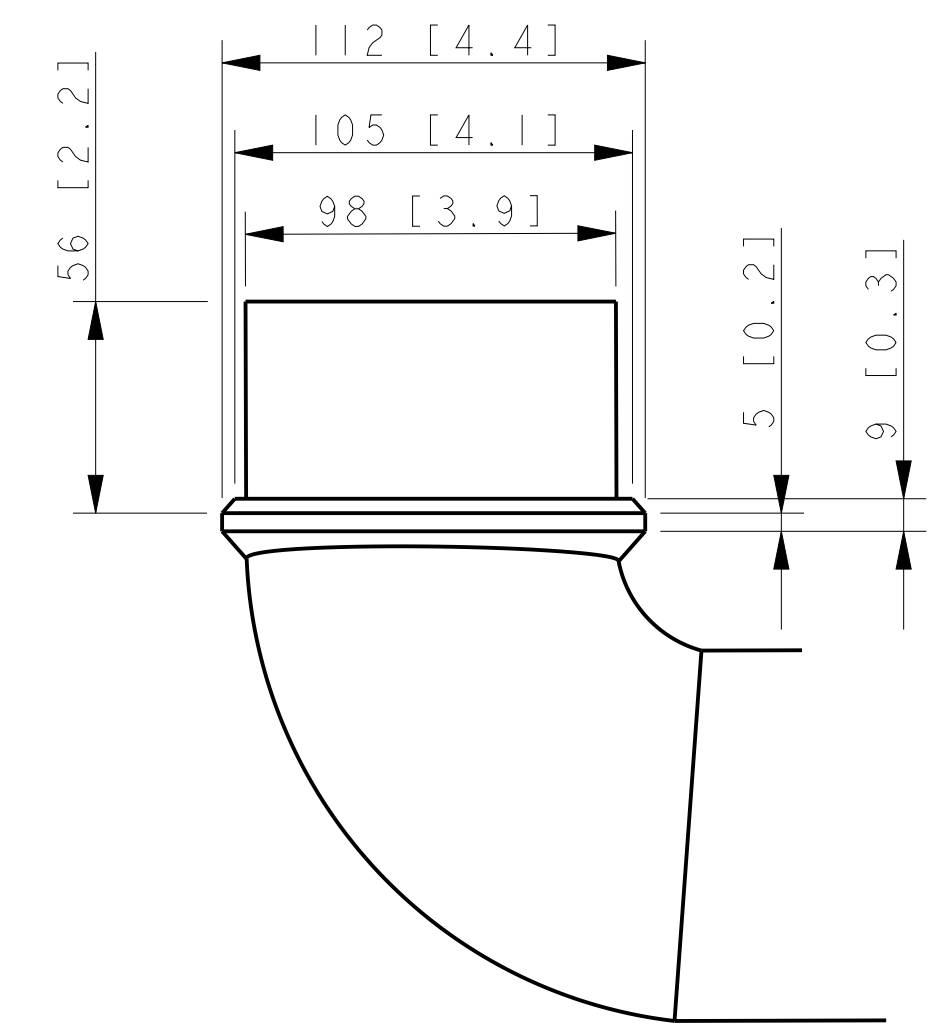
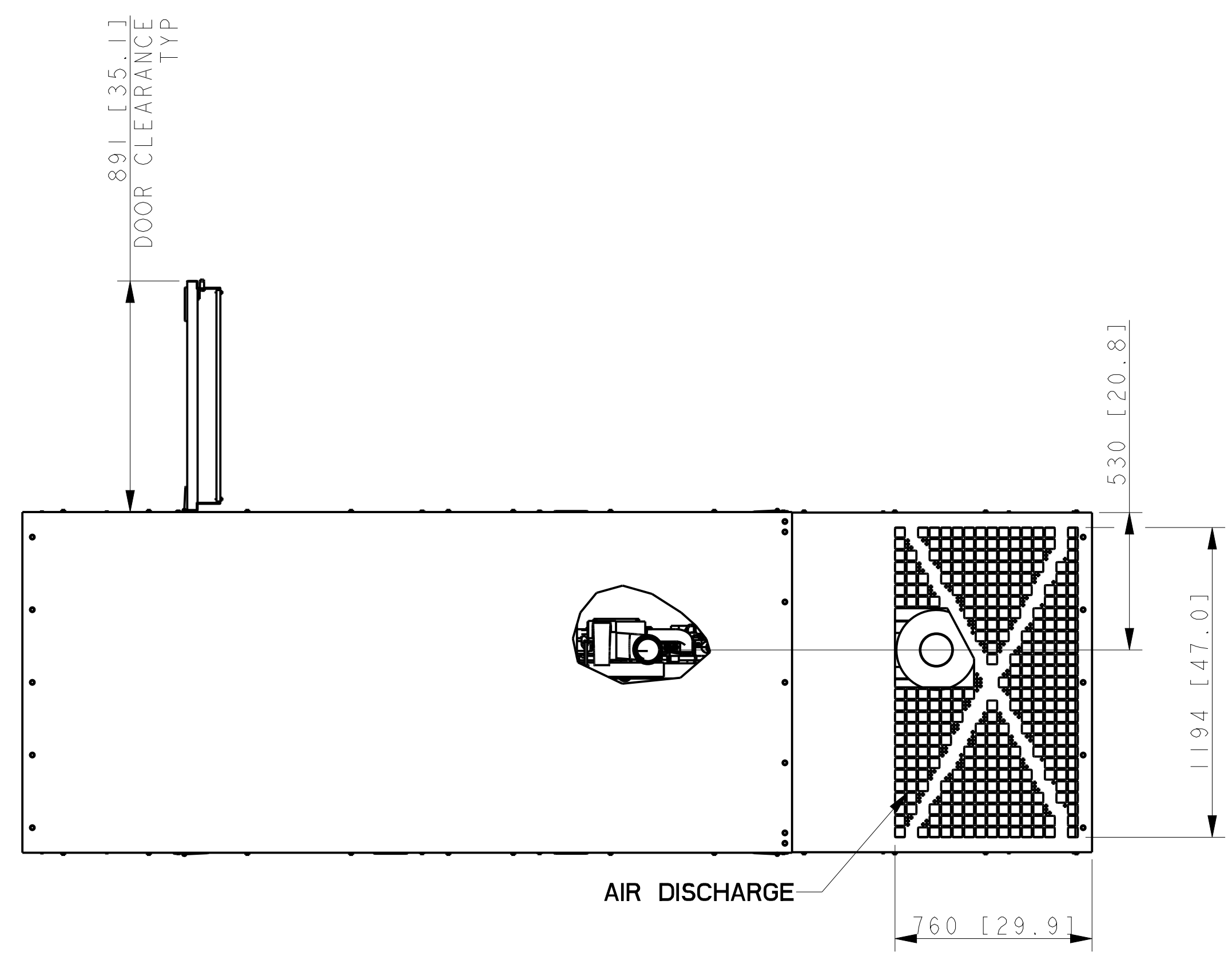
**KOHLER CO.** METRIC PRO-E  
POWER SYSTEMS, KOHLER, WI 53044 U.S.A.  
THIS DRAWING IN DESIGN AND DETAIL IS KOHLER CO. PROPERTY AND MUST NOT BE USED EXCEPT IN CONNECTION WITH KOHLER CO. WORK. ALL RIGHTS OF DESIGN OR INVENTION ARE RESERVED.

TITLE: **DIMENSION PRINT, ENCLOSURE 180-200 JD**

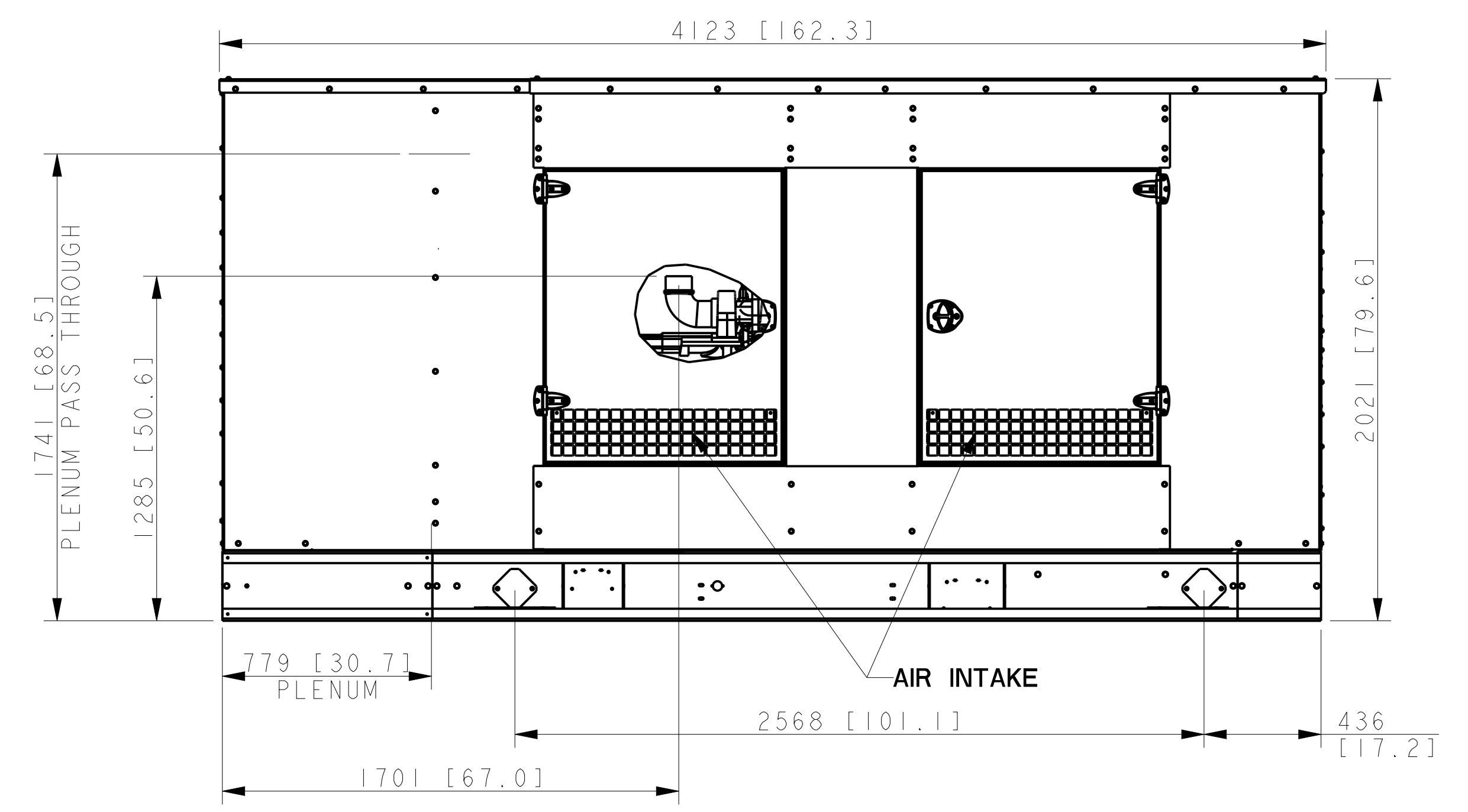
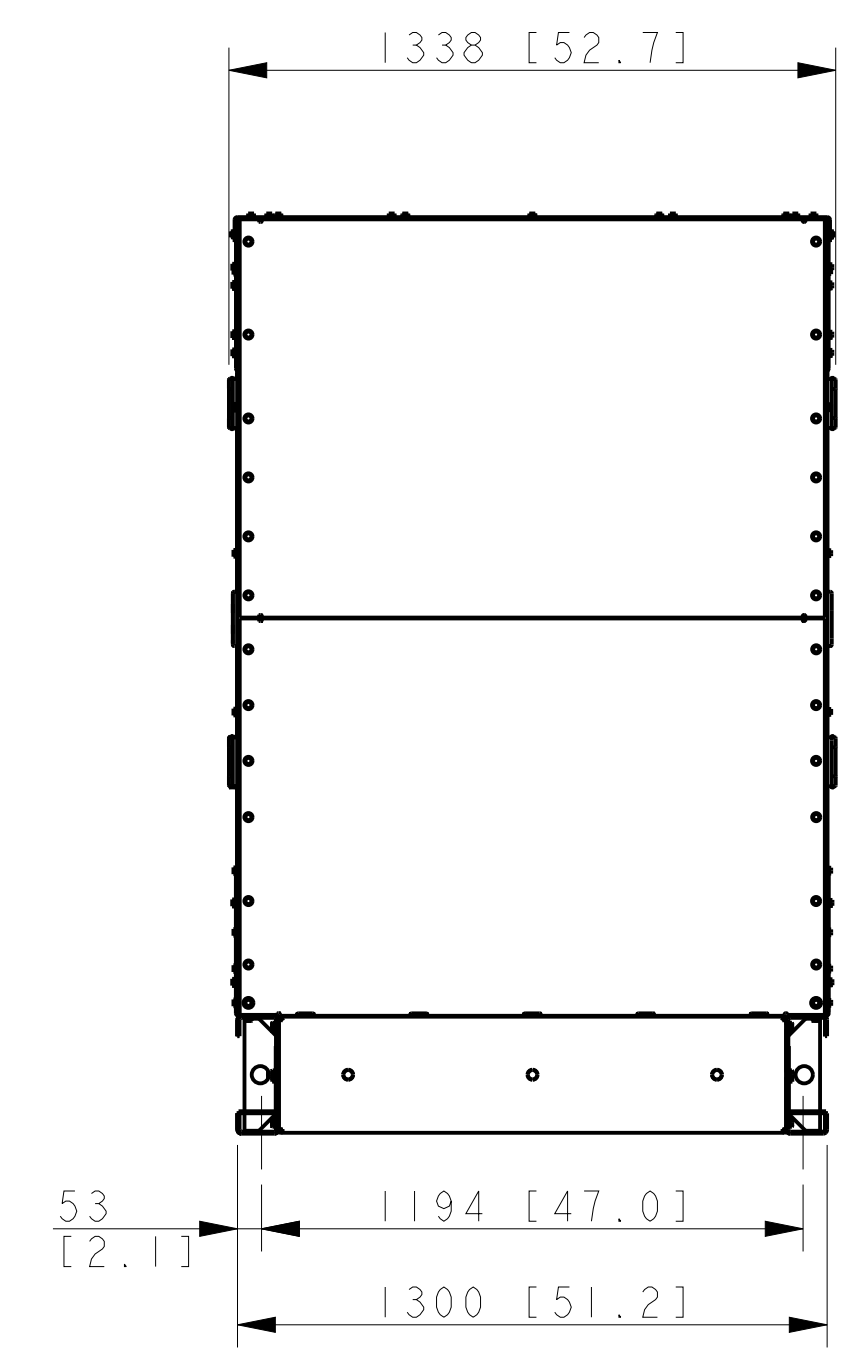
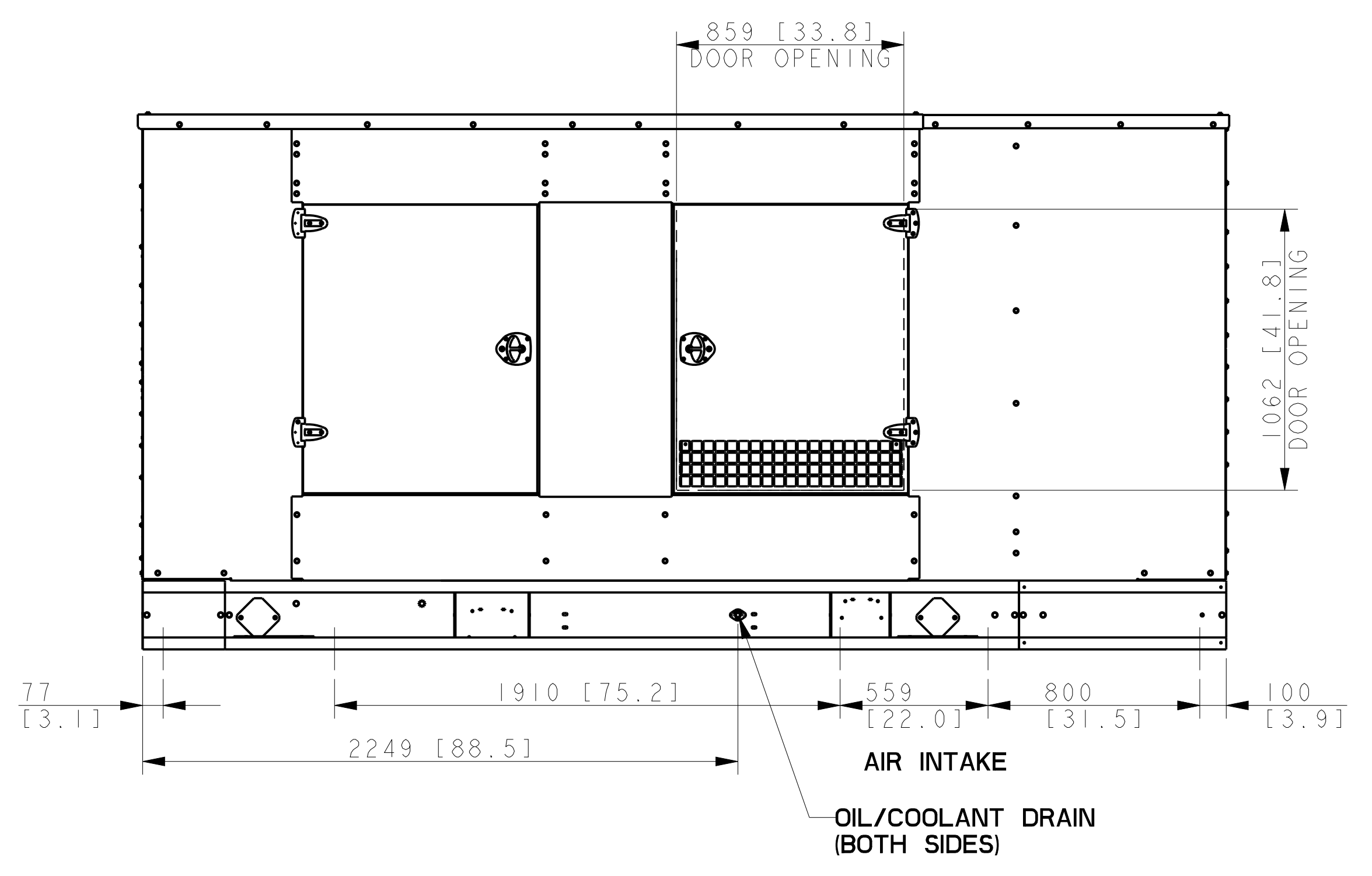
SCALE: 0.06 CAD NO. SHEET 1 of 2  
DWG NO. **ADV-7854** **D**

APPROVALS	DATE
DRAWN DJV	2-11-10
CHECKED CWF	2-11-10
APPROVED RJD	2-11-10

MODEL	ENCLOSURE WEIGHT KG [LBS]
STEEL WEATHER	448 [990]
STEEL SOUND	539 [1190]
ALUMINUM SOUND	254 [560]



EXHAUST OUTLET  
SCALE 0.500



CA AQMD READY ENCLOSURES  
(NO SILENCER)

DIMENSIONS IN [ ] ARE INCH EQUIVALENTS

**NOTE:**  
ENCLOSURE ONLY MOUNTS TO SKID.  
FOR STUB-UP ACCESS DURING INSTALLATION THE REAR ENCLOSURE PANEL SHOULD BE REMOVED

180 MODEL 4S15, 4S12X, 4S13X  
200 MODEL 4UA9, 4UA13, 4S13X  
RECONNECTABLE  
IMPROVE MOTOR STARTING (IMS) RECONNECTABLE  
& 600V ALTERNATORS  
6068HF485 JOHN DEERE TIER III

REV	DATE	ON COMPOSITE DWGS. SEE PART NO. FOR REVISION LEVEL	BY
H	2-5-13	SHEET 3 AND AQMA MODEL ADDED [CT32174]	SAM
J	10-3-13	SHEET 3 REMOVED; ALL VIEWS ON SHEET 2 DELETED	SVP
K	9-25-17	SEE SHEET 1 [CT177004]	SRM

**KOHLER CO.** METRIC PRO-E  
POWER SYSTEMS, KOHLER, WI 53044 U.S.A.  
THIS DRAWING IN DESIGN AND DETAIL IS KOHLER CO. PROPERTY AND MUST NOT BE USED EXCEPT IN CONNECTION WITH KOHLER CO. WORK. ALL RIGHTS OF DESIGN OR INVENTION ARE RESERVED.

TITLE: DIMENSION PRINT, ENCLOSURE 180-200 JD  
SCALE: 0.06 CAD NO. SHEET 2 of 2  
DWG NO. ADV-7854