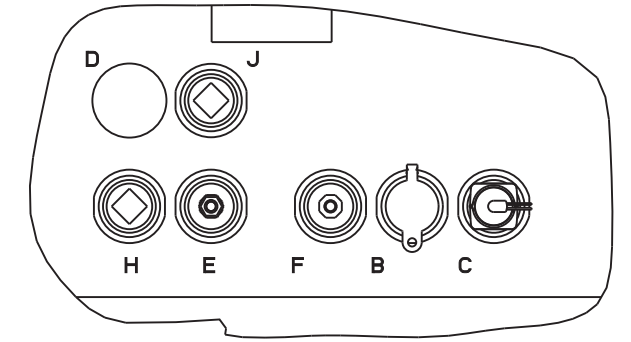
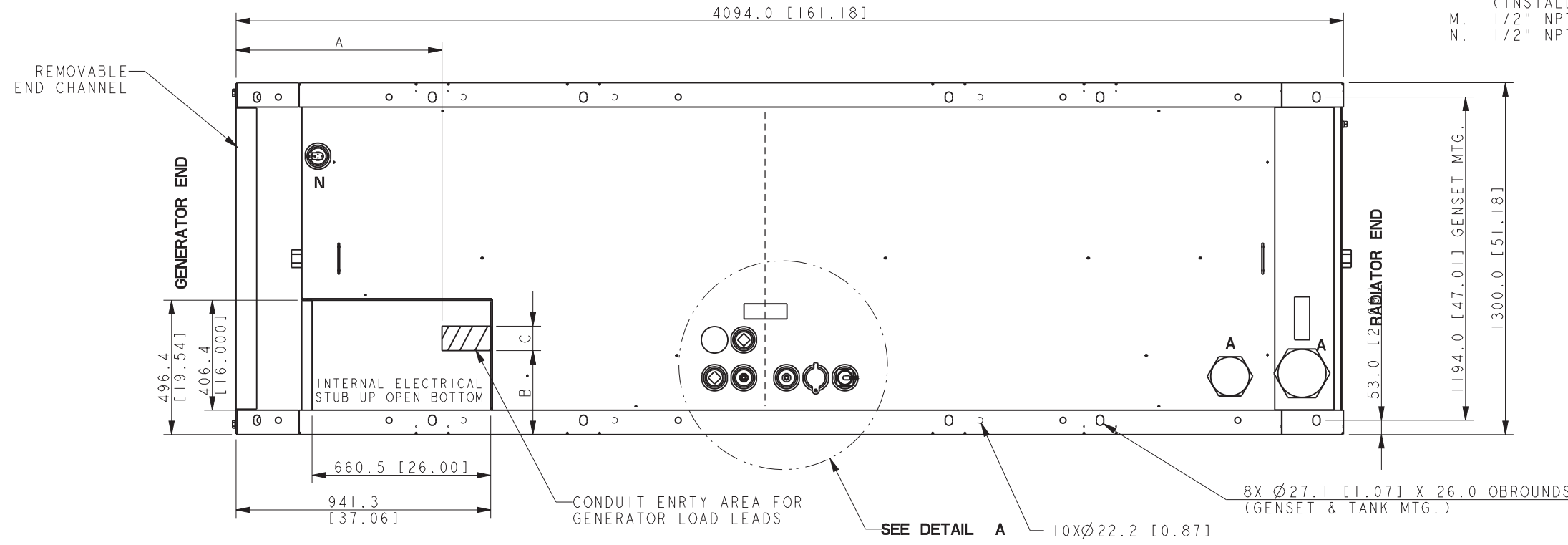


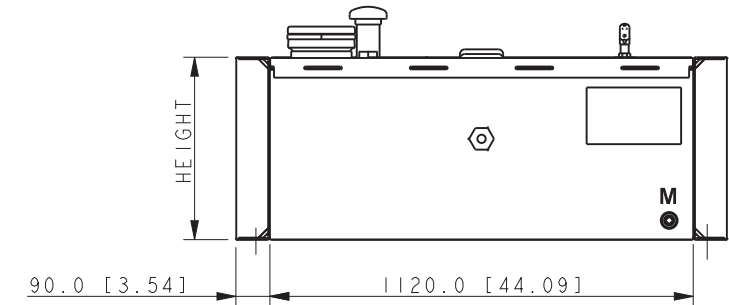
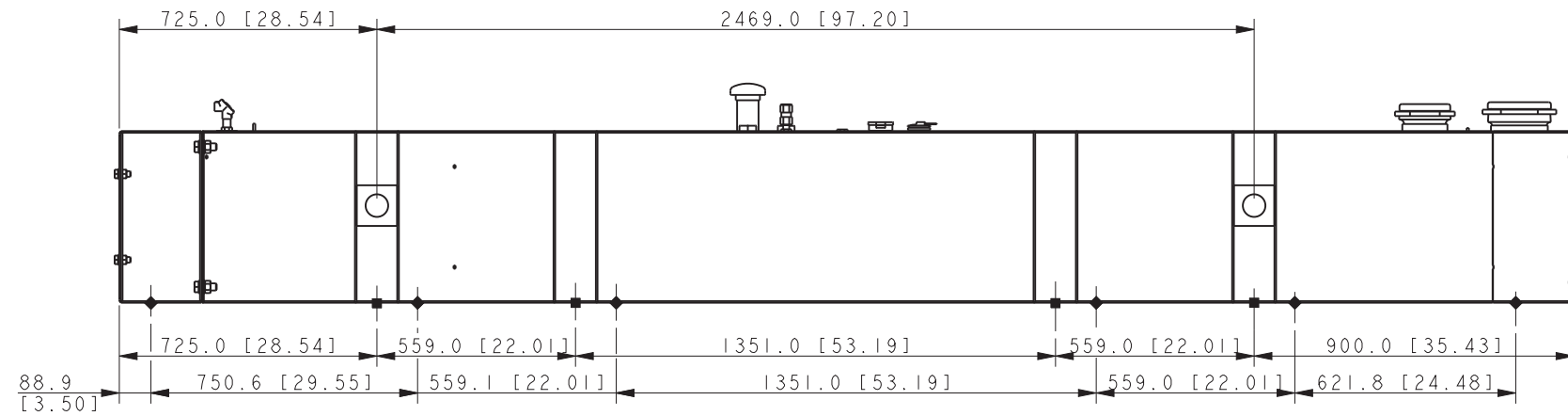
MODEL	CAPACITY		WEIGHT		HEIGHT		E-Vent	
	LITERS	GAL	KG	LBS	MM	IN	SIZE (IN)	QTY
180/200kW	1514	400	933	2057	482.6	19.0	4.0	2.0
180/200kW	2871	758	1327	2926	889.0	35.0	5.0	2.0

TANK FITTINGS:

- A. 1/2" NPT EMERGENCY VENT FITTING PER NFPA 30 WITH VENT CAPS
- B. 2" NPT FUEL FILL FITTING WITH LOCKABLE CAP
- C. 2" NPT FUEL LEVEL GAUGE FITTING
- D. 2" NORMAL VENT FITTING WITH MUSHROOM VENT CAP AND 5" RISER
- E. 2" NPT FITTING FOR REMOVABLE ENGINE SUPPLY DIP TUBE (3/8" NPT FEMALE WITH CHECK VALVE)
- F. 2" NPT FITTING FOR REMOVABLE FUEL RETURN DIP TUBE (3/8" NPT FEMALE)
- H. 2" NPT FOR LOW LEVEL SWITCH (SET AT 50% FULL, SILICONE PACKED)
- J. 2" NPT ADDITIONAL FITTING FOR OPTIONAL ACCESSORY (INSTALL STEEL 2" NPT PIPE PLUG)
- M. 1/2" NPT BASIN DRAIN (INSTALL STEEL 1/2" NPT PIPE PLUG)
- N. 1/2" NPT FOR FUEL IN BASIN SWITCH (INSTALL STEEL 1/2" NPT PIPE PLUG)



DETAIL A
SCALE 0.20



- 8XØ25.4 [1.0] STANDARD MOUNTING
- ◆ 12XØ22.2 [0.88] IBC/WINDLOAD MOUNTING

STANDARD TANK

180 MODEL 60HZ 4S15, 4S12X & 4S13X
200 MODEL 4UA9, 4UA13 & 4S13X
RECONNECTABLE
IMPROVED MOTOR STARTING (IMS) &
600V ALTERNATOR
JOHN DEERE 6068HF485, TIER III

REV	DATE	ON COMPOSITE DWGS. SEE PART NO. FOR REVISION LEVEL	BY	UNLESS OTHERWISE SPECIFIED - 1) DIMENSIONS ARE IN MILLIMETERS 2) TOLERANCES ARE:
F	08-11-14	(A-4) STANDARD TANK NOTE ADDED & SEE SHEET 2 [CT89102]	PAS	X.XX ± 0.25 X.X ± 1.0 X ± 1.5 ANGLES ± 0° 30' MAX.
G	2-28-17	(A-8, A-7) 761 WAS 571, 303 WAS 195, (8-D, C-7) DELETE 50.0 UPDATE CONDUIT AREA, SEE SHEET 2, [CT170607]	RMJ	THIRD ANGLE PROJECTION
H	2-19-18	SEE SHEET 3 [CT184671]	PAS	APPROVALS
J	2-26-19	(A-5) IBC/WINDLOAD MOUNTING WAS IBC MOUNTING; SEE SHEET 2 & 3 [CT193852]	TKK	DATE
K	7-2-19	SEE SHEET 2 [CT196925]	JB2	PKD 1-20-10 AJD 1-20-10 AJD 1-20-10

KOHLER CO. METRIC PRO-E
POWER SYSTEMS, KOHLER, WI 53044 U.S.A.
THIS DRAWING IN DESIGN AND DETAIL IS KOHLER CO. PROPERTY AND MUST NOT BE USED EXCEPT IN CONNECTION WITH KOHLER CO. WORK. ALL RIGHTS OF DESIGN OR INVENTION ARE RESERVED.

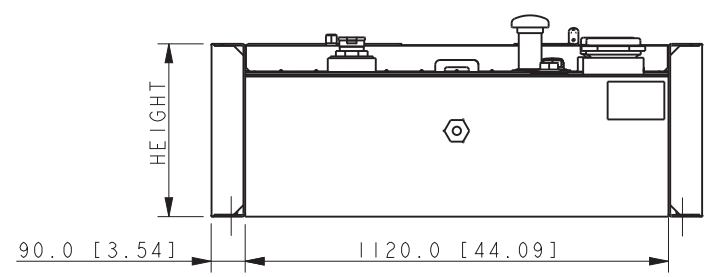
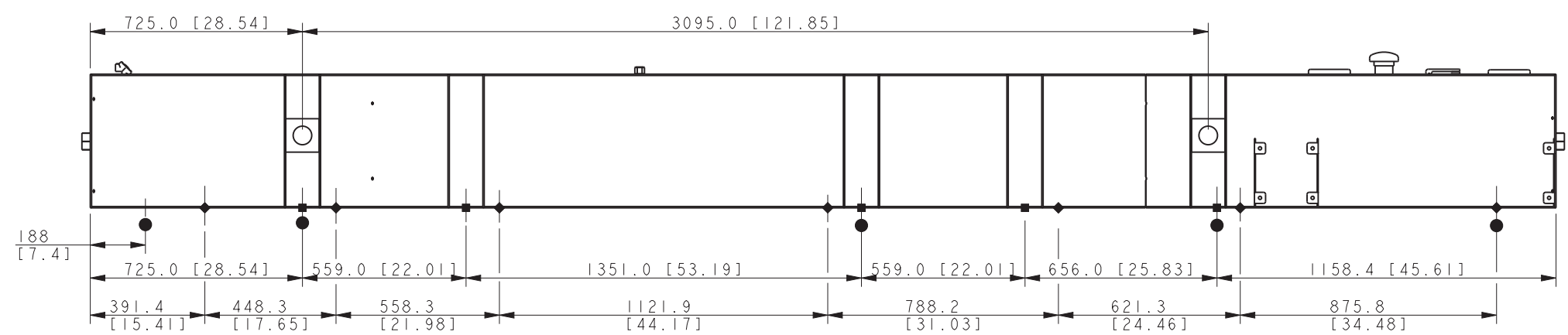
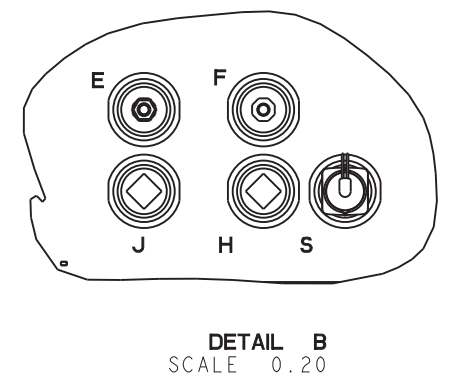
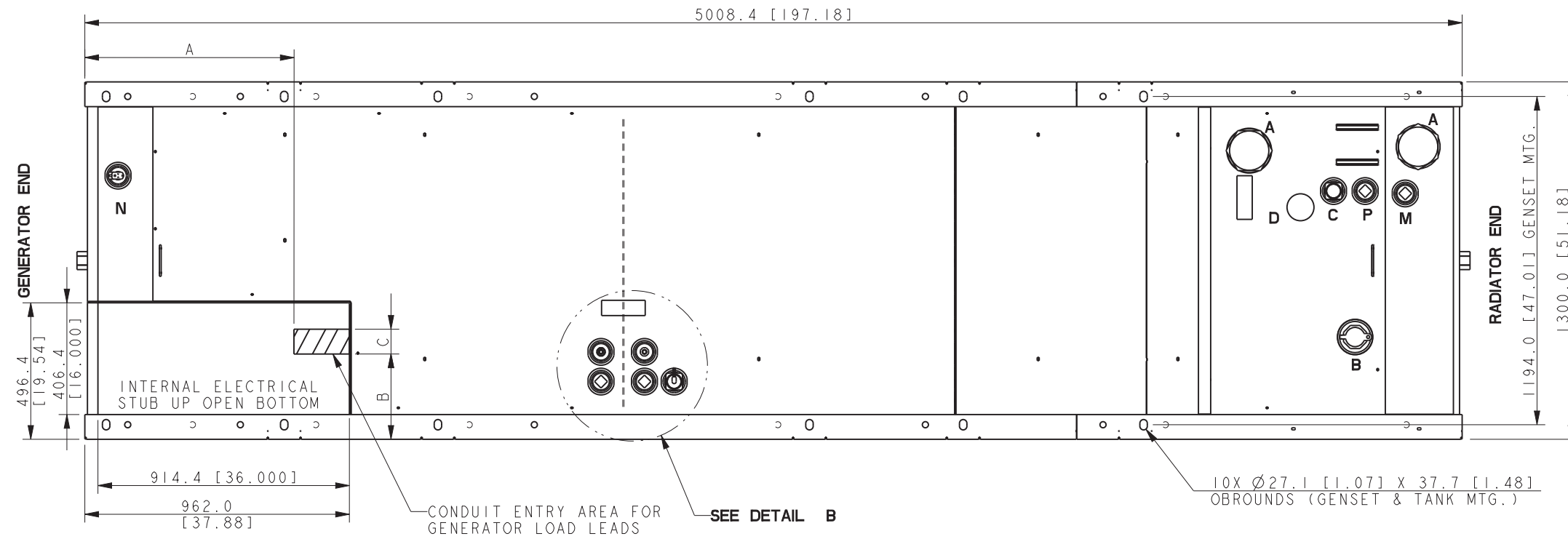
TITLE: DIMENSION PRINT

SCALE 0.10 CAD NO. SHEET 1 of 3
DWG NO. **ADV-7859**

GENSET	A	B	C
180KW	761 [30.0]	310 [12.2]	90 [3.5]
200KW	561 [22.1]	303 [11.9]	100 [3.9]

MODEL	CAPACITY		WEIGHT		HEIGHT		E-Vent	
	LITERS	GAL	KG	LBS	MM	IN	SIZE (IN)	QTY
180/200kW	1576	416	1234	2721	457.2	18.0	5.0	2.0
180/200kW	2896	765	1560	3440	762.0	30.0	5.0	2.0

- TANK FITTINGS:**
- A. 'A' NPT EMERGENCY VENT FITTING PER NFPA 30 WITH VENT CAPS
 - B. 4" NPT FUEL FILL FITTING WITH LOCKABLE CAP AND RISER. PLUG & SHIP WITH TANK IN BOX ATTACHED TO TANK
 - C. 2" NPT FUEL LEVEL GAUGE FITTING
 - D. 2" NPT NORMAL VENT FITTING WITH MUSHROOM VENT CAP AND 5" RISER.
 - E. 2" NPT FITTING FOR REMOVABLE ENGINE SUPPLY DIP TUBE (3/8" NPT FEMALE WITH CHECK VALVE)
 - F. 2" NPT FITTING FOR REMOVABLE FUEL RETURN DIP TUBE (3/8" NPT FEMALE)
 - H. 2" NPT FOR LOW LEVEL SWITCH (SET AT 50% FULL, SILICONE PACKED)
 - J. 2" NPT ADDITIONAL FITTING FOR OPTIONAL ACCESSORY (INSTALL 2" NPT PIPE PLUG)
 - M. 2" NPT BASIN DRAIN (PLUGGED)
 - N. 2" NPT FOR FUEL IN BASIN SWITCH
 - P. 2" NPT ADDITIONAL FITTING FOR OPTIONAL ACCESSORY (INSTALL 2" NPT PIPE PLUG)
 - S. 2" NPT FUEL LEVEL GAUGE FITTING WITH SENDER



GENSET	A	B	C
180KW	761 [30.0]	310 [12.2]	90 [3.5]
200KW	561 [22.1]	303 [11.9]	100 [3.9]

- 10XØ25.4 [1.0] STANDARD MOUNTING
- ◆ 14XØ22.2 [0.88] IBC/WINDLOAD MOUNTING
- 10XØ25.4 [1.0] BOTTOM BEAM MOUNTING

STATE TANK
180 MODEL 60HZ 4S15, 4S12X & 4S13X
200 MODEL 4UA9, 4UA13 & 4S13X
RECONNECTABLE
IMPROVED MOTOR STARTING (IMS) &
600V ALTERNATOR
JOHN DEERE 6068HF485, TIER III

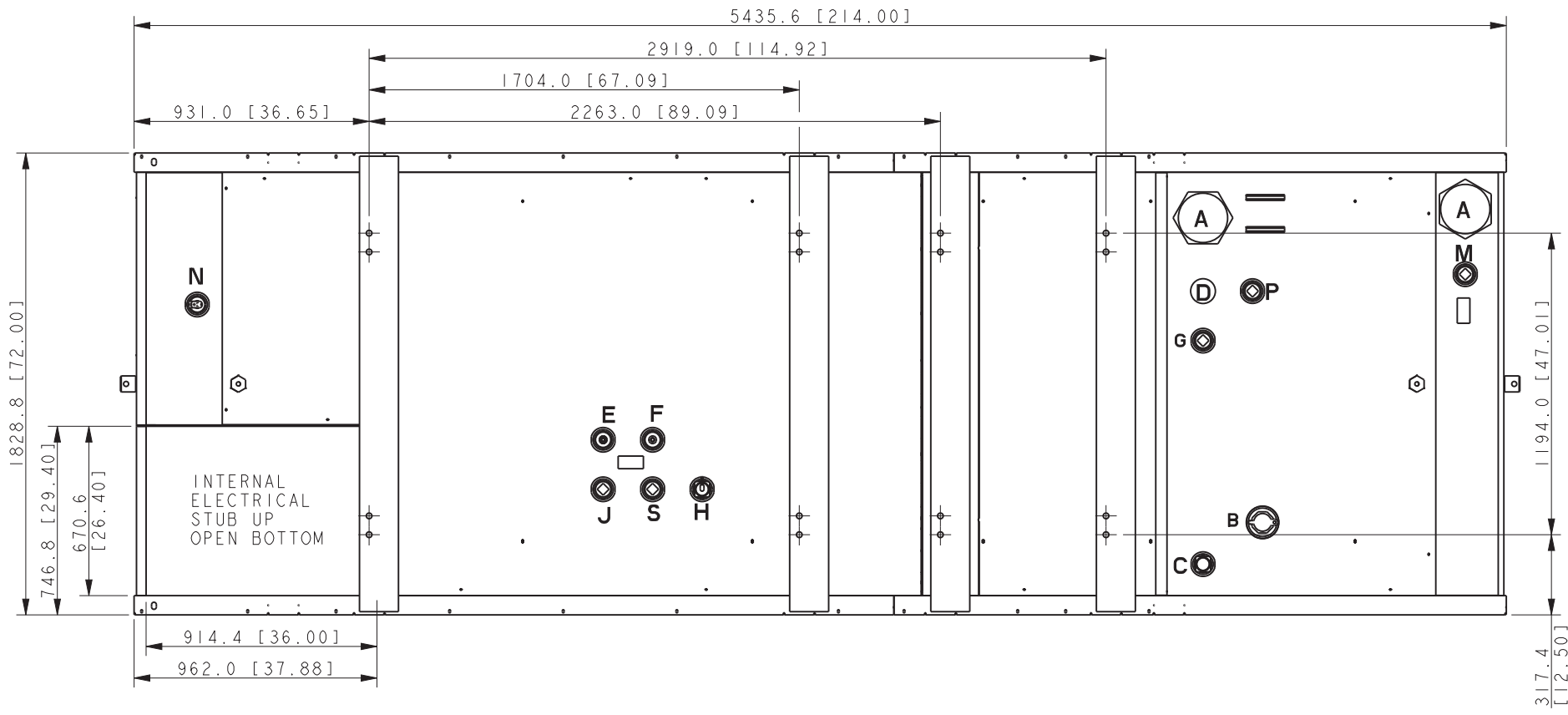
REV	DATE	ON COMPOSITE DWGS. SEE PART NO. FOR REVISION LEVEL	BY
G	2-28-17	(A-8, A-7) 761 WAS 571, 303 WAS 195, (8-D, C-7) DELETE 50.0 UPDATE CONDUIT AREA, SEE SHEET 1, [CT170607]	RMJ
H	2-19-18	SEE SHEET 3 [CT184671]	PAS
J	2-26-19	(A-5,6) IBC/WINDLOAD MOUNTING WAS IBC MOUNTING; SEE SHEET 1 & 3 [CT193852]	TKK
K	7-2-19	(D-6) 15.0 WAS 4.0, (B-4) CORRECTED ACCURACY TO GENSET / TANK MOUNTING [CT196925]	JB2

KOHLER CO. METRIC PRO-E
 POWER SYSTEMS, KOHLER, WI 53044 U.S.A.
 THIS DRAWING IN DESIGN AND DETAIL IS KOHLER CO. PROPERTY AND MUST NOT BE USED EXCEPT IN CONNECTION WITH KOHLER CO. WORK. ALL RIGHTS OF DESIGN OR INVENTION ARE RESERVED.

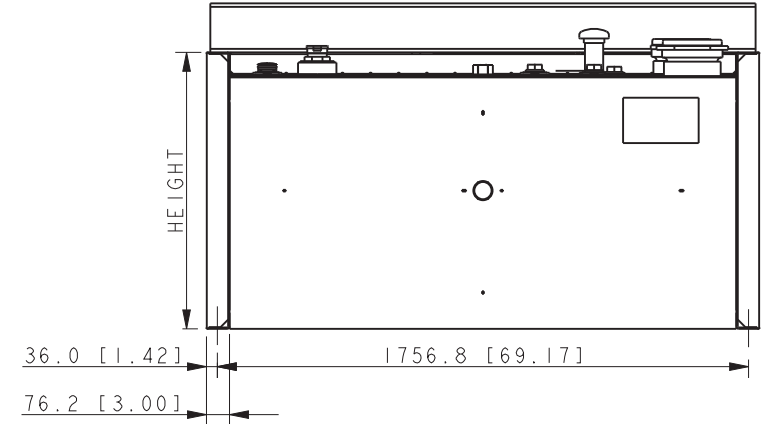
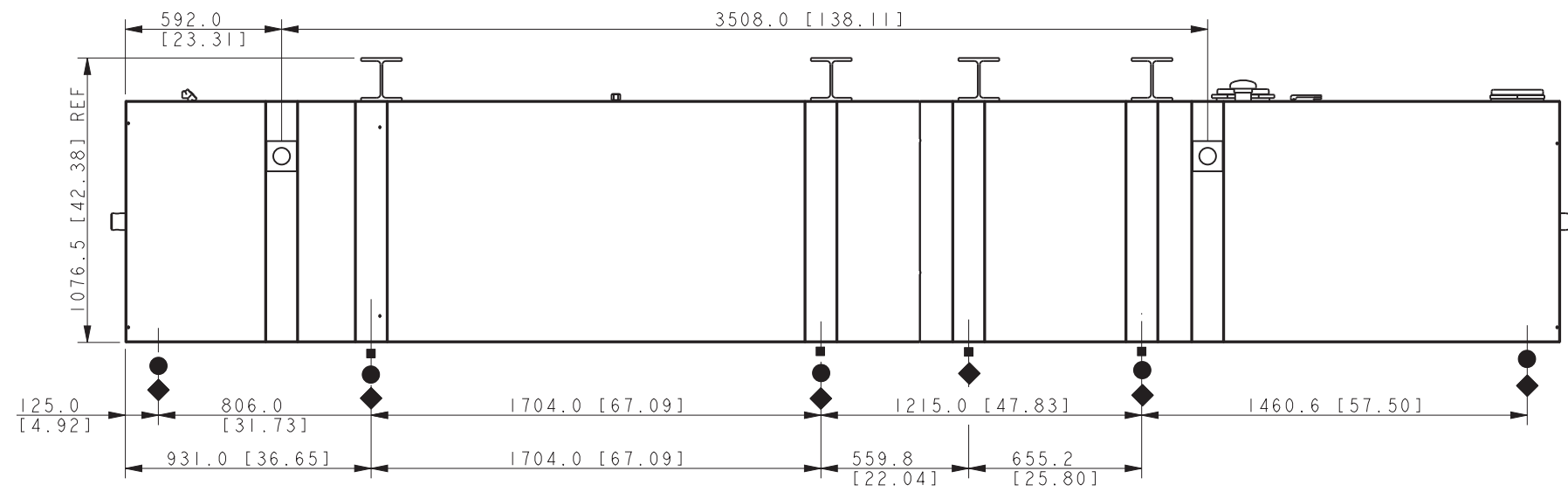
DIMENSION PRINT

SCALE 0.10 CAD NO. SHEET 2 of 3
 DWG NO. **ADV-7859**

MODEL	CAPACITY		WEIGHT		HEIGHT		E-Vent	
	LITERS	GAL	KG	LBS	MM	IN	SIZE (IN)	QTY
180/200kW	5742	1517	1727	3809	914.4	36.0	6.0	2.0



- TANK FITTINGS:**
- A. 2" NPT EMERGENCY VENT FITTING PER NFPA 30 WITH VENT CAPS
 - B. 4" NPT FUEL FILL FITTING WITH LOCKABLE CAP AND RISER.
 - C. 2" NPT FUEL LEVEL GAUGE FITING WITH DIRECT READING MECHANICAL GAUGE.
 - D. 2" NPT NORMAL VENT FITTING WITH MUSHROOM VENT CAP AND 5" RISER.
 - E. 2" NPT FITTING FOR REMOVABLE ENGINE SUPPLY DIP TUBE (3/8" NPT FEMALE WITH CHECK VALVE).
 - F. 2" NPT FITTING FOR REMOVABLE FUEL RETURN DIP TUBE (3/8" NPT FEMALE).
 - G. 2" NPT ADDITIONAL FITTING FOR OPTIONAL ACCESSORY. (INSTALL STEEL 2" NPT PIPE PLUG).
 - H. 2" NPT FOR FUEL LEVEL SENDING UNIT.
 - J. 2" NPT ADDITIONAL FITTING FOR OPTIONAL ACCESSORY. (INSTALL STEEL 2" NPT PIPE PLUG).
 - M. 2" NPT BASIN DRAIN (INSTALL STEEL 2" NPT PIPE PLUG).
 - N. 2" NPT FOR FUEL IN BASIN SWITCH.
 - P. 2" NPT ADDITIONAL FITTING FOR OPTIONAL ACCESSORY (INSTALL STEEL 2" NPT PIPE PLUG).
 - S. 2" NPT ADDITIONAL FITTING FOR OPTIONAL ACCESSORY. (INSTALL STEEL 2" NPT PIPE PLUG).



NOTE:
FOR FURTHER TANK DETAIL
SEE INDIVIDUAL DRAWINGS

- 8X Ø25.40 [1.0] STANDARD MOUNTING
- 10X Ø25.40 [1.0] BOTTOM BEAM MOUNTING
- ◆ 12X Ø25.40 [1.0] WINDLOAD MOUNTING

96 HOUR STATE TANK

REV	DATE	ON COMPOSITE DWGS. SEE PART NO. FOR REVISION LEVEL	BY
H	2-19-18	SHEET 3 ADDED [CT184671]	PAS
J	2-26-19	(A-4,5) 12X Ø25.40 [1.0] WINDLOAD MOUNTING	TKK
K	7-2-19	SEE SHEET 2 [CT196925]	JB2

UNLESS OTHERWISE SPECIFIED -
1) DIMENSIONS ARE IN MILLIMETERS
2) TOLERANCES ARE:
X.XX ± 0.25
X.X ± 1.0
X ± 1.5
ANGLES ± 0° 30' MAX.

THIRD ANGLE PROJECTION

APPROVALS

APPROVALS	DATE
DRAWN PAS	2-19-18
CHECKED JB2	2-19-18
APPROVED KJB	2-19-18

COHLER CO. METRIC PRO-E
POWER SYSTEMS, KOHLER, WI 53044 U.S.A.
THIS DRAWING IN DESIGN AND DETAIL IS KOHLER CO. PROPERTY AND MUST NOT BE USED EXCEPT IN CONNECTION WITH KOHLER CO. WORK. ALL RIGHTS OF DESIGN OR INVENTION ARE RESERVED.

TITLE
DIMENSION PRINT

SCALE 0.08 CAD NO. SHEET 3 of 3
DWG NO. **ADV-7859** **D**