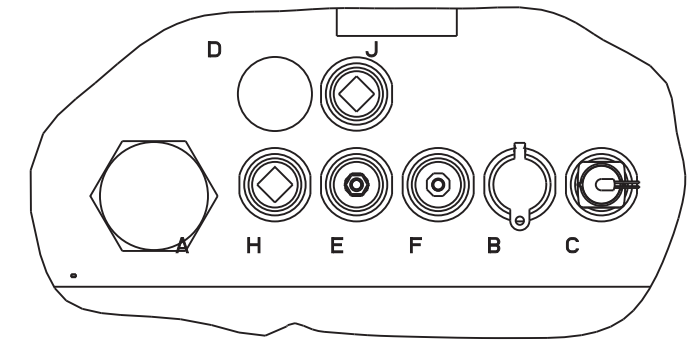
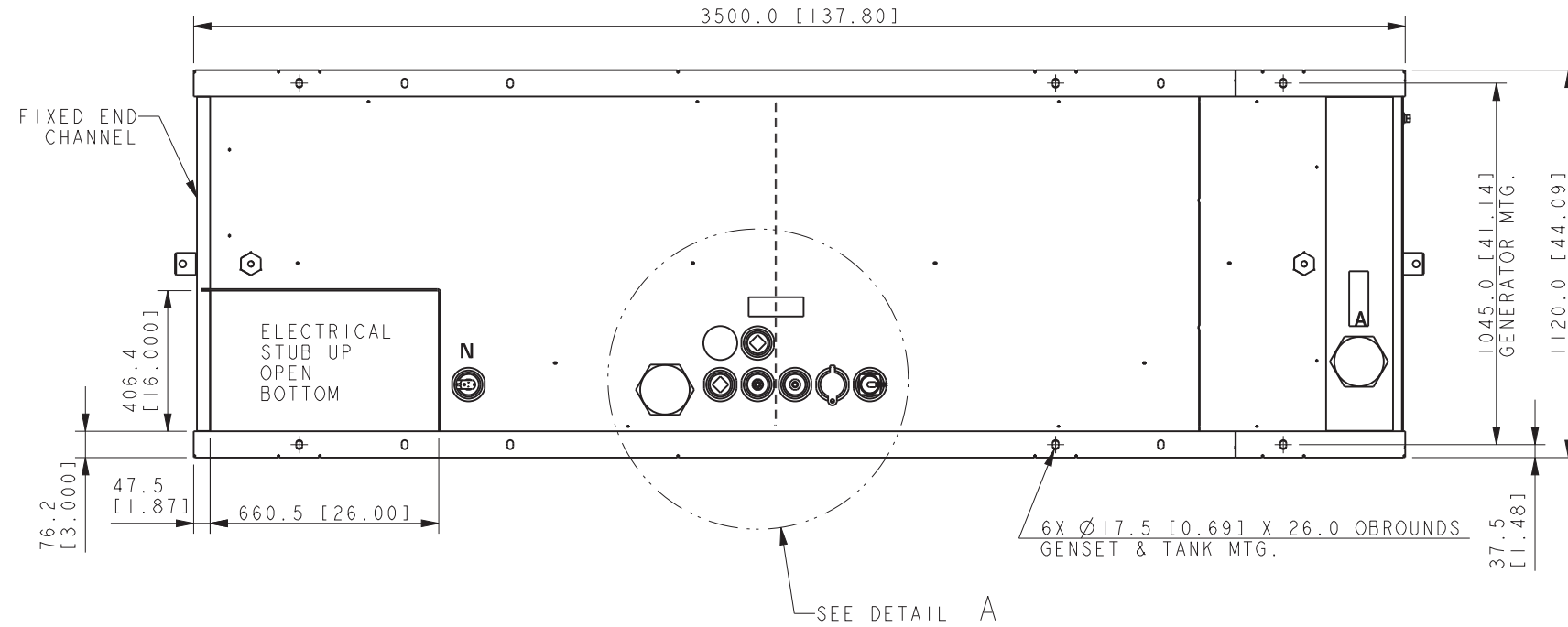


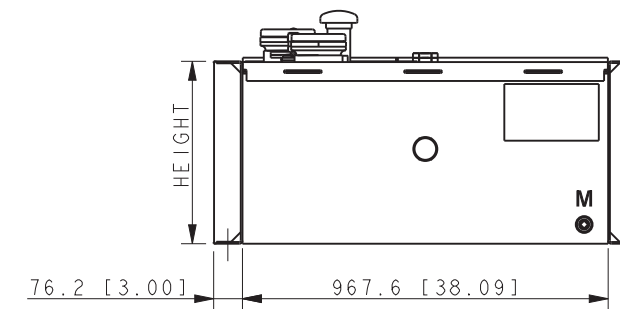
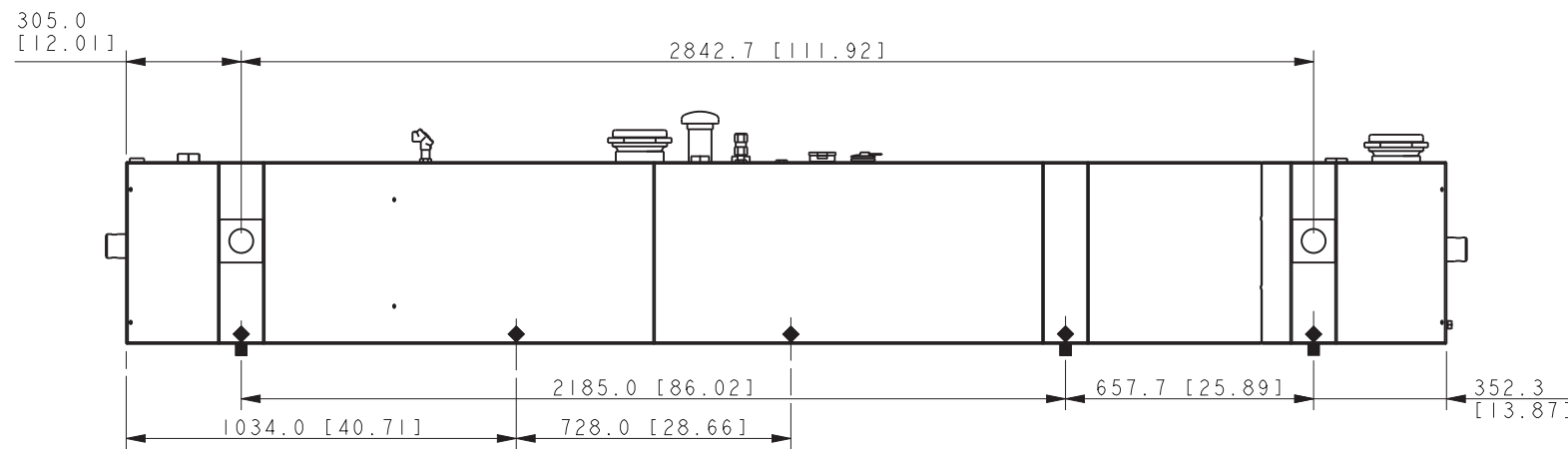
MODEL	CAPACITY		WEIGHT		HEIGHT		E-Vent	
	LITERS	GAL	KG	LBS	MM	IN	SIZE (IN)	QTY
125/150kW	1131	298	749	1650	482.6	19.0	4.0	2.0
125/150kW	2144	563	1100	2426	914.4	36.0	5.0	2.0

**TANK FITTINGS:**

- A. 1/2" NPT EMERGENCY VENT FITTING PER NFPA 30 WITH VENT CAPS
- B. 2" NPT FUEL FILL FITTING WITH LOCKABLE CAP
- C. 2" NPT FUEL LEVEL GAUGE FITTING
- D. 2" NORMAL VENT FITTING WITH MUSHROOM VENT CAP AND 5" RISER
- E. 2" NPT FITTING FOR REMOVABLE ENGINE SUPPLY DIP TUBE (3/8" NPT FEMALE WITH CHECK VALVE)
- F. 2" NPT FITTING FOR REMOVABLE FUEL RETURN DIP TUBE (3/8" NPT FEMALE)
- H. 2" NPT FOR LOW LEVEL SWITCH (SET AT 50% FULL, SILICONE PACKED)
- J. 2" NPT ADDITIONAL FITTING FOR OPTIONAL ACCESSORY (INSTALL STEEL 2" NPT PIPE PLUG)
- M. 1/2" NPT BASIN DRAIN (INSTALL STEEL 1/2" NPT PIPE PLUG)
- N. 1/2" NPT FOR FUEL IN BASIN SWITCH (INSTALL STEEL 1/2" NPT PIPE PLUG)



DETAIL A  
SCALE 0.200



- 6XØ25.4 [1.0] STANDARD MOUNTING
- ◆ 10XØ22.2 [0.87] IBC MOUNTING

SUBBASE TANK  
125 MODEL 4R12X, 4R13X, 4T13X  
150 MODEL 4R13X, 4S12X, 4S13X, 4T13X  
RECONNECTABLE  
IMPROVED MOTOR STARTING (IMS) & 600V  
ALTERNATOR  
JOHN DEERE 6068HF285, TIER III

REV	DATE	ON COMPOSITE DWGS. SEE PART NO. FOR REVISION LEVEL	BY	UNLESS OTHERWISE SPECIFIED - 1) DIMENSIONS ARE IN MILLIMETERS 2) TOLERANCES ARE:
B	11-19-10	(B-8,B-7) 1034.0,728.0 ADDED [90303]	JOEL	X.XX ± 0.25
C	6-29-11	SEE SHEET 2 [91839]	KMP	X.X ± 1.0
D	11-22-11	VIEWS UPDATED [92417-3]	PKD	X ± 1.5
E	2-7-12	(A-4) 125 & 150 MODEL NOTE UPDATED, SEE SHEET 2 [92681]	PKD	ANGLES ± 0° 30' MAX.
F	2-19-18	SEE SHEET 3 [CT184674]	PAS	THIRD ANGLE PROJECTION
G	5-25-18	(A-4) 125 & 150 MODEL NOTE UPDATED, SEE SHEET 2 [CT187737]	YJP	APPROVALS
				DATE
				1-15-10
				1-15-10

**KOHLER CO.** METRIC PRO-E  
POWER SYSTEMS, KOHLER, WI 53044 U.S.A.  
THIS DRAWING IN DESIGN AND DETAIL IS KOHLER CO. PROPERTY AND MUST NOT BE USED EXCEPT IN CONNECTION WITH KOHLER CO. WORK. ALL RIGHTS OF DESIGN OR INVENTION ARE RESERVED.

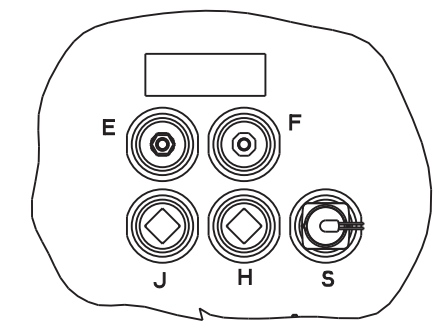
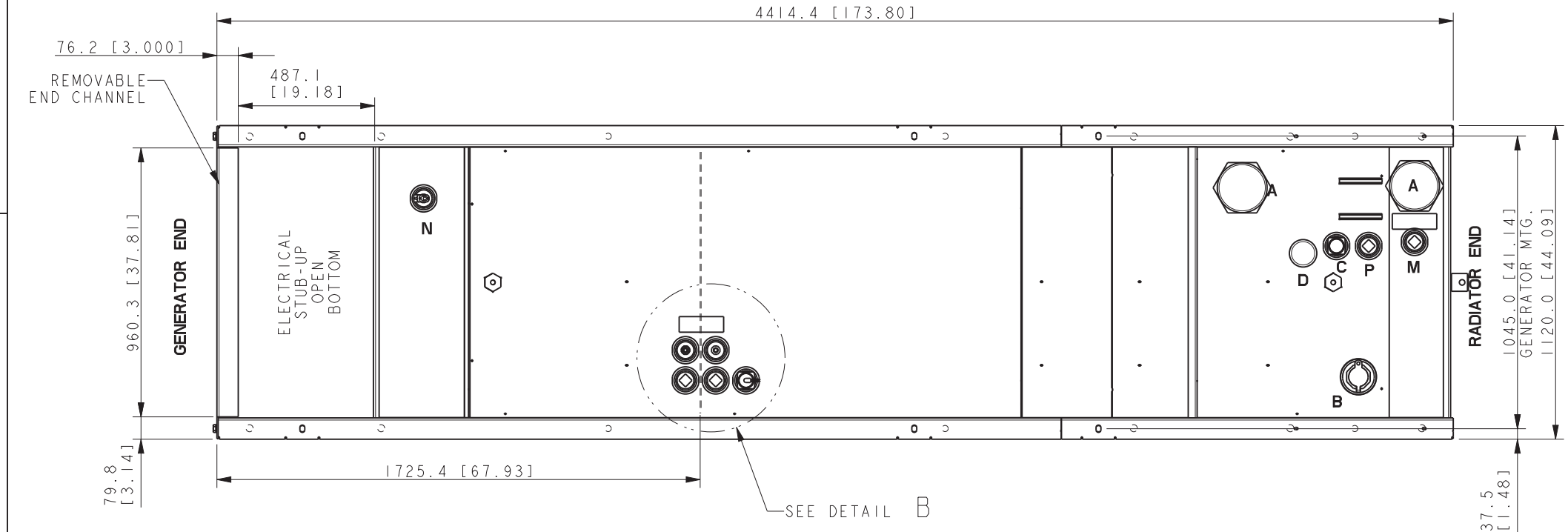
TITLE: **DIMENSION PRINT**

SCALE 0.10 CAD NO. SHEET 1 of 3  
DWG NO. **ADV-7881** D

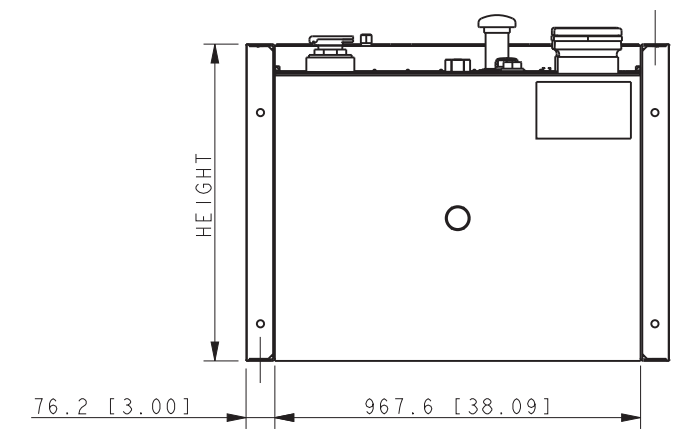
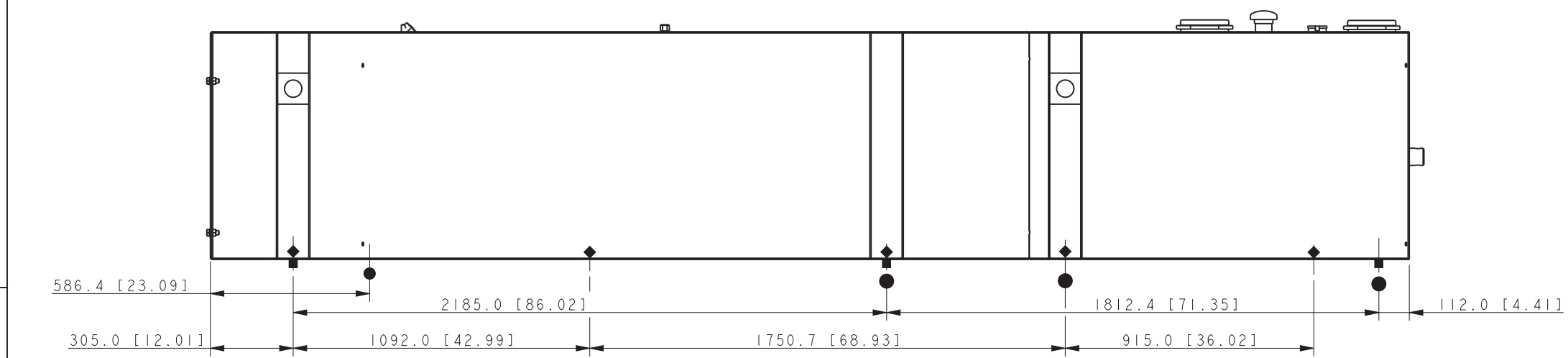
MODEL	CAPACITY		WEIGHT		HEIGHT		E-Vent	
	LITERS	GAL	KG	LBS	MM	IN	SIZE (IN)	QTY
125/150kW	1198	316	731	1612	482.6	19.0	4.0	2.0
125/150kW	2255	595	1003	2211	838.2	33.0	5.0	2.0

**TANK FITTINGS:**

- A. 1/2" NPT EMERGENCY VENT FITTING PER NFPA 30 WITH VENT CAPS
- B. 4" NPT FUEL FILL FITTING WITH LOCKABLE CAP AND RISER. PLUG & SHIP WITH TANK IN NBOX ATTACHED TO TANK
- C. 2" NPT FUEL LEVEL GAUGE FITTING WITH DIRECT READING MECHANICAL GAUGE
- D. 2" NPT NORMAL VENT FITTING WITH MUSHROOM VENT CAP AND 5" RISER. REMOVE AFTER PAINT AND REPLACE W/ STEEL PLUG & SHIP WITH TANK IN BOX ATTACHED TO TANK
- E. 2" NPT FITTING FOR REMOVABLE ENGINE SUPPLY DIP TUBE (3/8" NPT FEMALE WITH CHECK VALVE)
- F. 2" NPT FITTING FOR REMOVABLE FUEL RETURN DIP TUBE (3/8" NPT FEMALE)
- H. 2" NPT FOR LOW LEVEL SWITCH (SET AT 50% FULL, SILICONE PACKED)
- J. 2" NPT ADDITIONAL FITTING FOR OPTIONAL ACCESSORY (INSTALL 2" NPT PIPE PLUG)
- M. 2" NPT BASIN DRAIN (PLUGGED)
- N. 2" NPT FOR FUEL IN BASIN SWITCH
- P. 2" NPT ADDITIONAL FITTING FOR OPTIONAL ACCESSORY (INSTALL 2" NPT PIPE PLUG)
- S. 2" NPT FUEL LEVEL GAUGE FITTING WITH SENDER



DETAIL B  
SCALE 0.200



- 6X Ø25.4 [1.0] MOUNTING HOLES
- ◆ 10X22.2 [0.87] IBC MOUNTING
- 8XØ25.4 [1.0] BOTTOM BEAM MOUNTING

SUBBASE -STATE TANK  
125 MODEL 4R12X, 4R13X, 4T13X  
150 MODEL 4R13X, 4S12X, 4S13X, 4T13X  
RECONNECTABLE  
IMPROVED MOTOR STARTING (IMS) & 600V  
ALTERNATOR  
JOHN DEERE 6068HF285, TIER III

REV	DATE	ON COMPOSITE DWGS. SEE PART NO. FOR REVISION LEVEL	BY
D	11-22-11	VIEWS UPDATED [92417-3]	PKD
E	2-7-12	(A-4) 125 & 150 MODEL NOTE UPDATED, SEE SHEET 1 [92681]	PKD
F	2-19-18	SEE SHEET 3 [CT184674]	PAS
G	5-25-18	(A-4) 125 & 150 MODEL NOTE UPDATED, SEE SHEET 1 [CT187737]	YPW

**KOHLER CO. METRIC PRO-E**  
POWER SYSTEMS, KOHLER, WI 53044 U.S.A.  
THIS DRAWING IN DESIGN AND DETAIL IS KOHLER CO. PROPERTY AND MUST NOT BE USED EXCEPT IN CONNECTION WITH KOHLER CO. WORK. ALL RIGHTS OF DESIGN OR INVENTION ARE RESERVED.

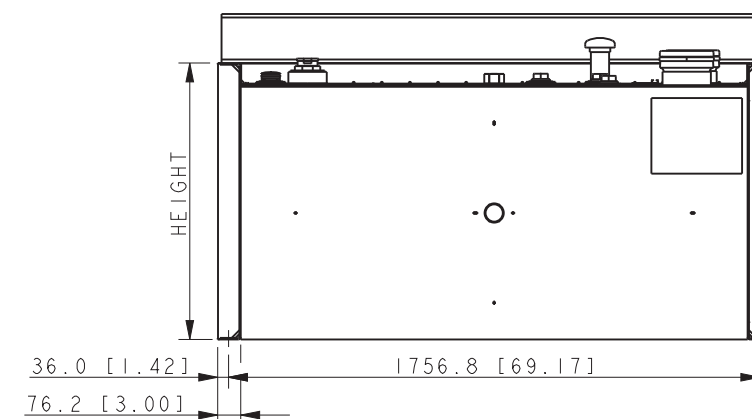
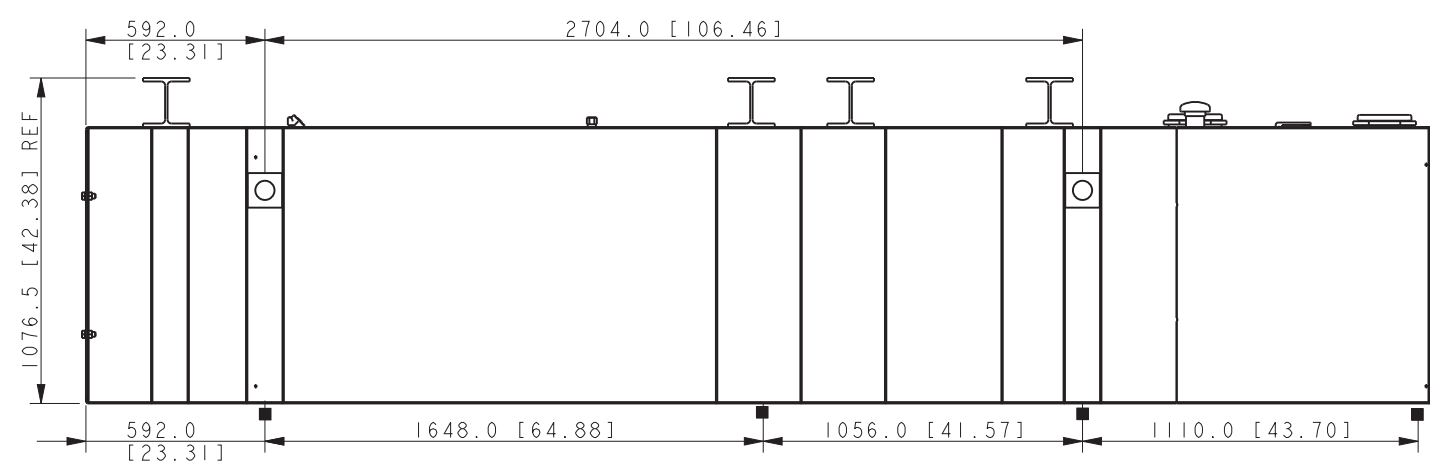
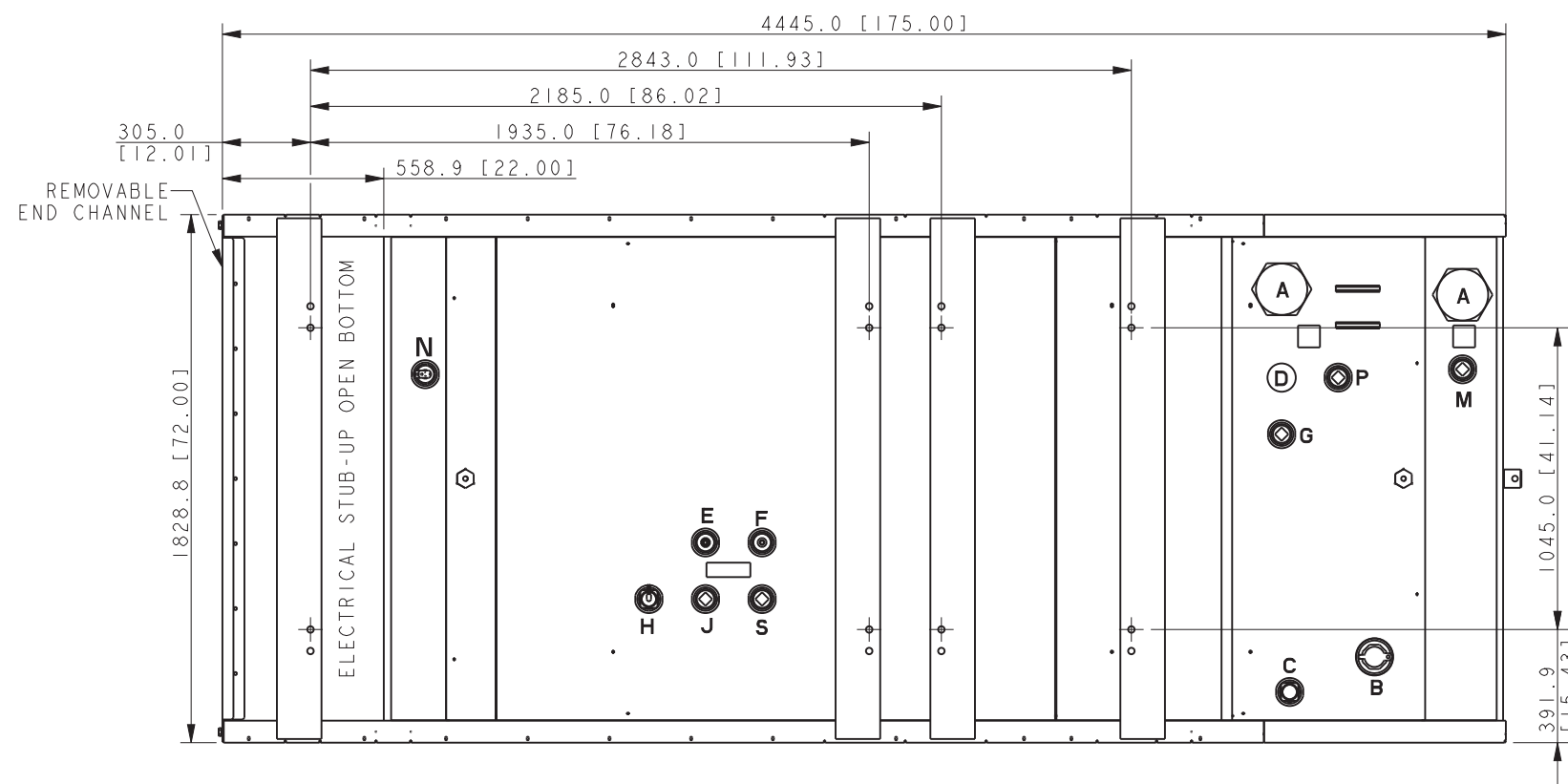
TITLE: **DIMENSION PRINT**

SCALE 0.10 CAD NO. SHEET 2 of 3  
DWG NO. **ADV-7881**

MODEL	CAPACITY		WEIGHT		HEIGHT		E-Vent	
	LITERS	GAL	KG	LBS	MM	IN	SIZE (IN)	QTY
125/150kW	4403	1163	2074	4573	914.4	36.0	5.0	2.0

**TANK FITTINGS:**

- A. 1/2" NPT EMERGENCY VENT FITTING PER NFPA 30 WITH VENT CAPS
- B. 4" NPT FUEL FILL FITTING WITH LOCKABLE CAP AND 2" RISER.
- C. 2" NPT FUEL LEVEL GAUGE FITING WITH DIRECT READING MECHANICAL GAUGE.
- D. 2" NPT NORMAL VENT FITTING WITH MUSHROOM VENT CAP AND 5" RISER.
- E. 2" NPT FITTING FOR REMOVABLE ENGINE SUPPLY DIP TUBE (3/8" NPT FEMALE WITH CHECK VALVE)
- F. 2" NPT FITTING FOR REMOVABLE FUEL RETURN DIP TUBE (3/8" NPT FEMALE).
- G. 2" NPT ADDITIONAL FITTING FOR OPTIONAL ACCESSORY. (INSTALL STEEL 2" NPT PIPE PLUG).
- H. 2" NPT FOR FUEL LEVEL SENDING UNIT.
- J. 2" NPT ADDITIONAL FITTING FOR OPTIONAL ACCESSORY. (INSTALL STEEL 2" NPT PIPE PLUG).
- M. 2" NPT BASIN DRAIN (INSTALL STEEL 2" NPT PIPE PLUG).
- N. 2" NPT FOR FUEL IN BASIN SWITCH.
- P. 2" NPT ADDITIONAL FITTING FOR OTPIONAL ACCESSORY (INSTALL STEEL 2" NPT PIPE PLUG).
- S. 2" NPT ADDITIONAL FITTING FOR OTPIONAL ACCESSORY (INSTALL STEEL 2" NPT PIPE PLUG).



**NOTE:**  
FOR FURTHER TANK DETAIL  
SEE INDIVIDUAL DRAWINGS  
■ 8X 25.40 [1.0] STANDARD MOUNTING

96 HOUR STATE TANK

REV	DATE	ON COMPOSITE DWGS. SEE PART NO. FOR REVISION LEVEL	BY	UNLESS OTHERWISE SPECIFIED - 1) DIMENSIONS ARE IN MILLIMETERS 2) TOLERANCES ARE:
F	2-19-18	SHEET 3 ADDED [CT184674]	PAS	X.XX ± 0.25
G	5-25-18	SEE SHEET 1 & 2 [CT187737]	YPW	X.X ± 1.0
				X ± 1.5
				ANGLES ± 0° 30' MAX.
APPROVALS		DATE	SURFACE FINISH	
DRAWN PAS		2-19-18	THIRD ANGLE PROJECTION	
CHECKED JBJ		2-19-18		
APPROVED KJB		2-19-18		

**KOHLER CO.** METRIC PRO-E  
POWER SYSTEMS, KOHLER, WI 53044 U.S.A.  
THIS DRAWING IN DESIGN AND DETAIL IS KOHLER CO. PROPERTY AND MUST NOT BE USED EXCEPT IN CONNECTION WITH KOHLER CO. WORK. ALL RIGHTS OF DESIGN OR INVENTION ARE RESERVED.

TITLE: **DIMENSION PRINT**

SCALE 0.08 CAD NO. SHEET 3 of 3  
DWG NO. **ADV-7881**