

TANK INFORMATION						
LITERS [GALLONS]	MIN HOURS	GENSETS	DIM A MM [INCH]	DIM B MM [INCH]	TANK WEIGHT KG [LBS] (NO FUEL)	
1508 [398]	12 HOURS	350-400KW	381.0 [15.0]	5030.2 [198.0]	1070 [2442]	
1734 [458]	12 HOURS	500KW	431.8 [17.0]	5030.2 [198.0]	1153 [2543]	
2905 [767]	24 HOURS	350-400KW	660.4 [26.0]	5030.2 [198.0]	1373 [3028]	
3347 [884]	24 HOURS	500KW	787.4 [31.0]	5030.2 [198.0]	1477 [3257]	
4298 [1135]	36 HOURS	350-400KW	914.4 [36.0]	5030.2 [198.0]	1620 [3571]	
4975 [1314]	48/36 HOURS	350KW	914.4 [36.0]	5626.7 [221.5]	1827 [4029]	
5767 [1523]	48/36 HOURS	400/500KW	914.4 [36.0]	6236.7 [245.5]	2004 [4419]	
6659 [1759]	48 HOURS	500KW	914.4 [36.0]	6922.5 [272.5]	2245 [4951]	
1532 [404]	12 HOURS STATE	350-400KW	381.0 [15.0]	5830.3 [229.5]	1226 [2703]	
1771 [468]	12 HOURS STATE	500KW	381.0 [15.0]	5830.3 [229.5]	1301 [2869]	
2930 [774]	24 HOURS STATE	350-400KW	584.2 [23.0]	5830.3 [229.5]	1502 [3311]	
3385 [894]	24 HOURS STATE	500KW	660.4 [26.0]	5830.3 [229.5]	1580 [3483]	
4395 [1161]	36 HOURS STATE	350-400KW	660.4 [26.0]	7633.7 [300.5]	2026 [4466]	
5046 [1333]	48/36 HOURS STATE	350KW	711.2 [28.0]	7633.7 [300.5]	2110 [4652]	
5767 [1523]	48/36 HOURS STATE	400/500KW	812.8 [32.0]	7633.7 [300.5]	2226 [4911]	
6675 [1763]	48 HOURS STATE	500KW	914.4 [36.0]	7633.7 [300.5]	2360 [5204]	

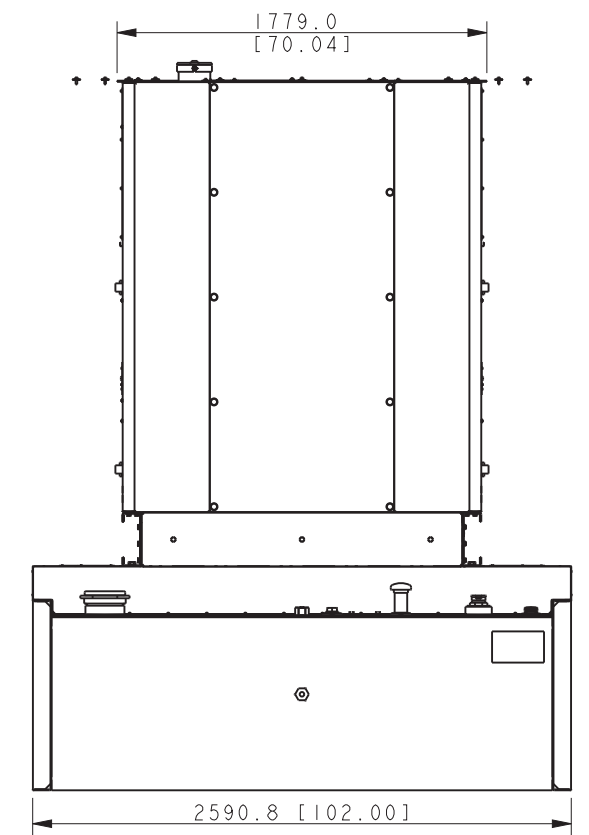
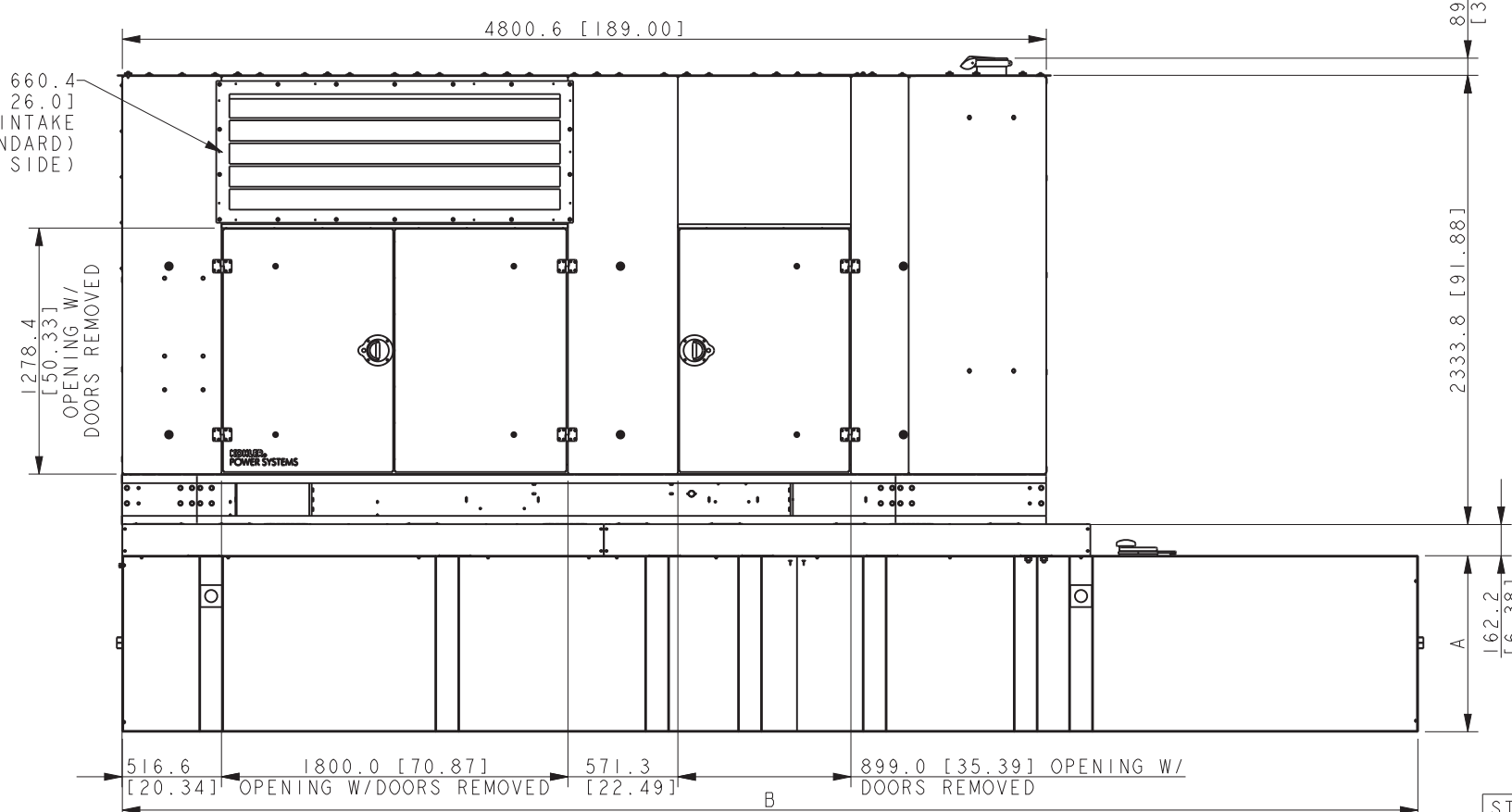
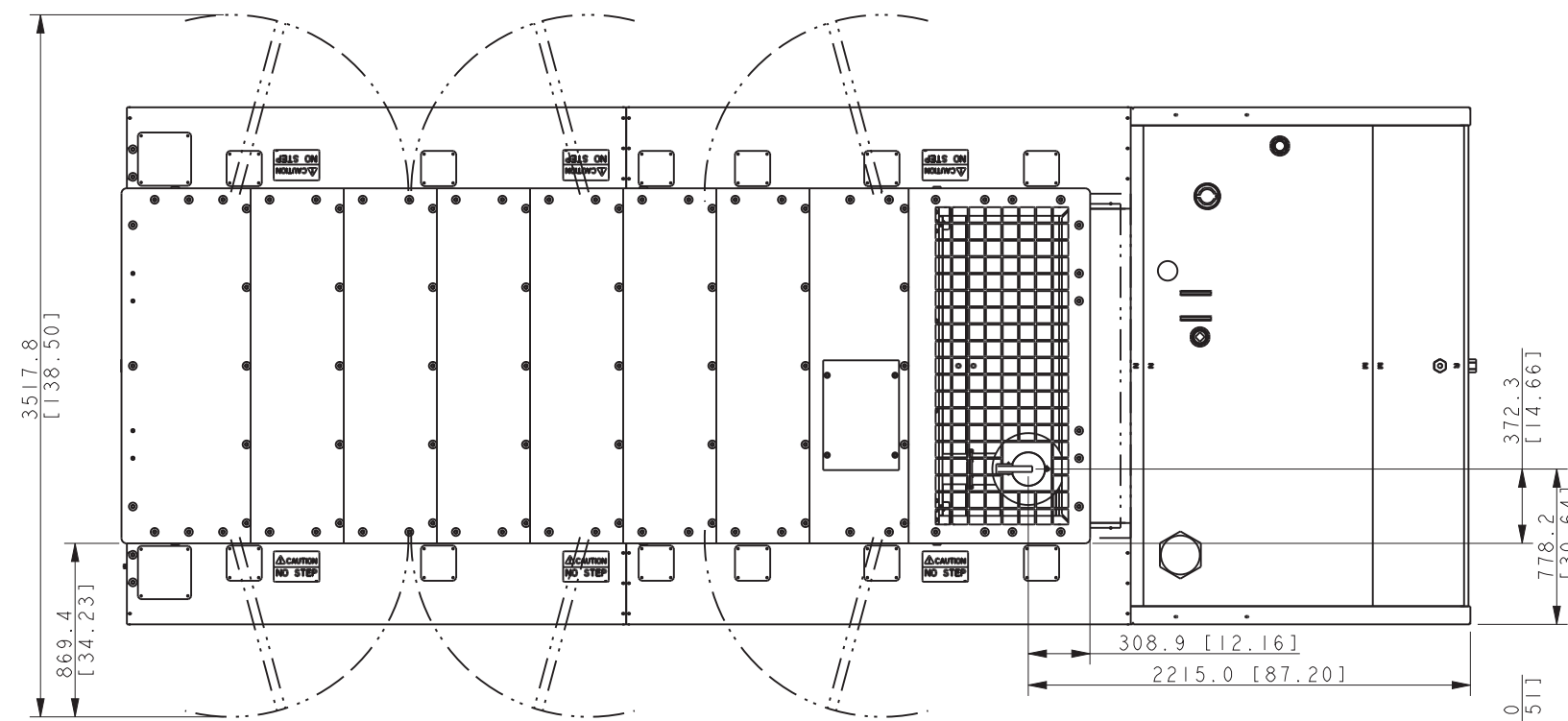
**350-500KW REOZJ
STEEL & ALUMINUM ENCL.
SOUND L1 & WEATHER**

STEEL WEATHER ENCLOSURE WEIGHT	1176 [2593]
ALUM. WEATHER ENCLOSURE WEIGHT	623 [1374]
350-500 REOZJ	KG [LBS]
STEEL SOUND L1 ENCLOSURE WEIGHT	1212 [2673]
ALUM. SOUND L1 ENCLOSURE WEIGHT	660 [1454]

REV	DATE	ON COMPOSITE DWGS. SEE PART NO. FOR REVISION LEVEL	BY	UNLESS OTHERWISE SPECIFIED - 1) DIMENSIONS ARE IN MILLIMETERS 2) TOLERANCES ARE: X.XX ± 0.25 X.X ± 1.0 X ± 1.5 ANGLES ± 0° 30' MAX.	THIRD ANGLE PROJECTION	APPROVALS	DATE	TITLE
-	2-14-11	NEW DRAWING [90647-22]	RJS					KOHLER CO. METRIC PRO-E
A	6-13-11	(A-7) 450KW REMOVED FROM GENSET COLUMN [91640]	DJV					POWER SYSTEMS, KOHLER, WI 53044 U.S.A.
B	7-15-11	(D-3) 372.3 WAS 321.5 [91583]	RJS					THIS DRAWING IN DESIGN AND DETAIL IS KOHLER CO. PROPERTY AND MUST NOT BE USED EXCEPT IN CONNECTION WITH KOHLER CO. WORK. ALL RIGHTS OF DESIGN OR INVENTION ARE RESERVED.
C	12-12-11	SEE SHEET 5 [92430-5]	RJS					TITLE
D	5-21-13	VIEWS UPDATED FOR E-VENT [CT47063]	SVP					DIMENSION PRINT, 350-500REOZJ WTHR/SND LVL 1 & TANKS
E	6-25-14	(A-4) G-585 NOTE REMOVED [CT85078]	SSH					SCALE 0.06 CAD NO. SHEET 1 of 6
F	1-24-19	SEE SHEET 6 [CT192916]	SDS					DWG NO. ADV-7991
			APPROVED					D

1473 X 914 [58.0 X 36.0]
FIXED AIR INTAKE
LOUVER (STANDARD)

1778 X 660.4
[70.0 X 26.0]
FIXED AIR INTAKE
LOUVER (STANDARD)
(RIGHT & LEFT SIDE)



STEEL WEATHER ENCLOSURE WEIGHT	1176 [2593]
ALUM. WEATHER ENCLOSURE WEIGHT	623 [1374]
350-500 REOZJ	KG [LBS]
STEEL SOUND LI ENCLOSURE WEIGHT	1212 [2673]
ALUM. SOUND LI ENCLOSURE WEIGHT	660 [1454]

TANK INFORMATION				
LITERS [GALLONS]	MIN HOURS	GENSETS	DIM A MM [INCH]	DIM B MM [INCH]
10009 [2644]	72 HOURS STATE	350-500KW	914.4 [36.0]	6731.0 [265.0]
			TANK WEIGHT KG [LBS] (NO FUEL)	3499 [7713]

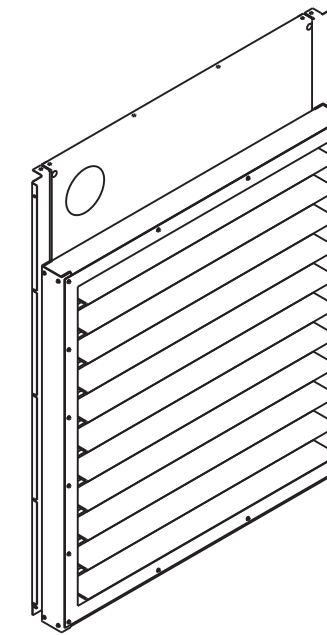
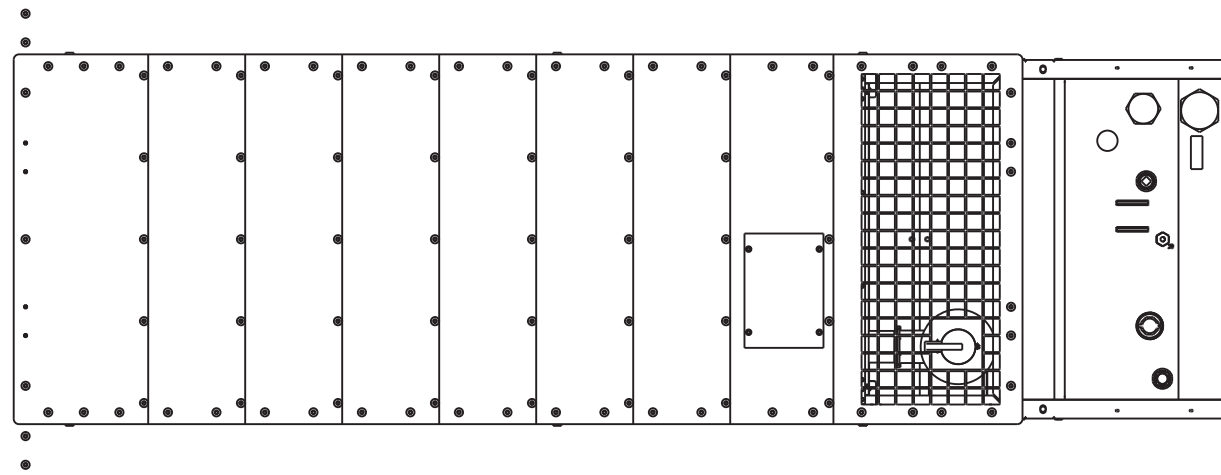
**350-500KW REOZJ
STEEL & ALUMINUM ENCL.
SOUND LI & WEATHER**

REV	DATE	ON COMPOSITE DWGS. SEE PART NO. FOR REVISION LEVEL	BY	UNLESS OTHERWISE SPECIFIED - 1) DIMENSIONS ARE IN MILLIMETERS 2) TOLERANCES ARE:
-	2-14-11	NEW DRAWING [90647-22]	RJS	X.XX ± 0.25
A	6-13-11	SEE SHEET 1 & 4-6 [91640]	DJV	X.X ± 1.0
B	7-15-11	(D-3) 372.3 WAS 321.5, 778.2 WAS 727.4 [91583]	RJS	X ± 1.5
C	12-12-11	SEE SHEET 5 [92430-5]	RJS	ANGLES ± 0° 30'
D	5-21-13	VIEWS UPDATED FOR E-VENT [CT47063]	SVP	THIRD ANGLE PROJECTION
E	6-25-14	SEE SHEET 1 [CT85078]	SSH	APPROVALS
F	1-24-19	SEE SHEET 6 [CT192916]	SDS	DATE

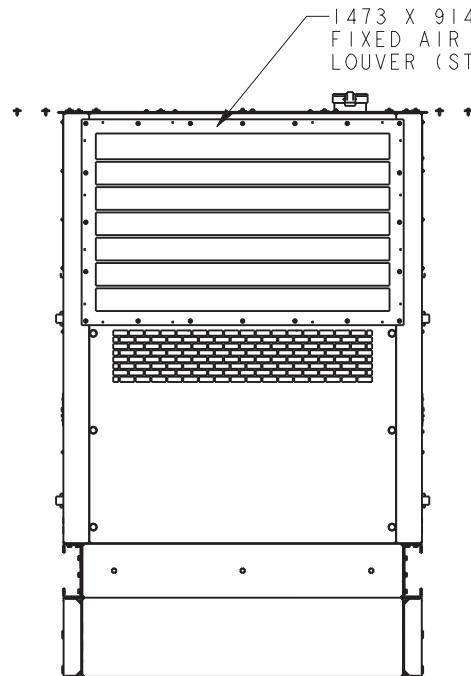
KOHLER CO. METRIC PRO-E
POWER SYSTEMS, KOHLER, WI 53044 U.S.A.
THIS DRAWING IN DESIGN AND DETAIL IS KOHLER CO. PROPERTY AND MUST NOT BE USED EXCEPT IN CONNECTION WITH KOHLER CO. WORK. ALL RIGHTS OF DESIGN OR INVENTION ARE RESERVED.

TITLE: **DIMENSION PRINT, 350-500REOZJ WTHR/SND LVL 1 & TANKS**

SCALE: 0.40 CAD NO. SHEET 2 of 6
DWG NO. **ADV-7991**

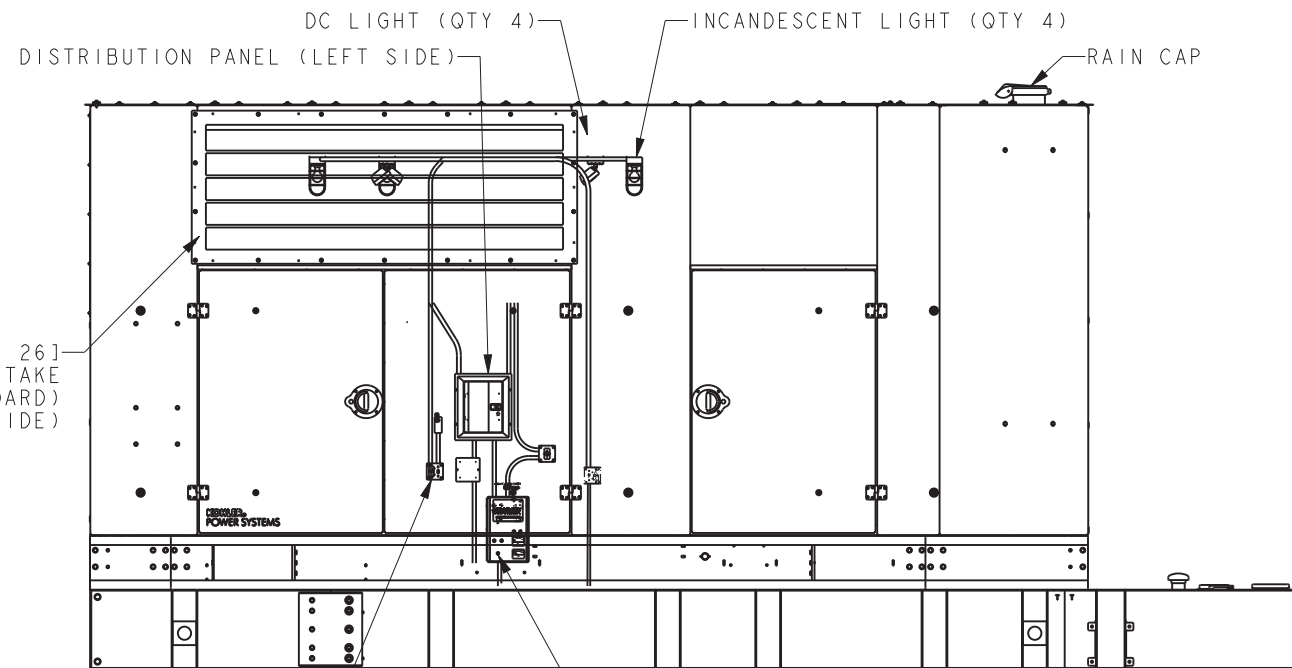


OPTIONAL DISCHARGE DAMPER
(MOUNTED INSIDE DISCHARGE PLENUM)



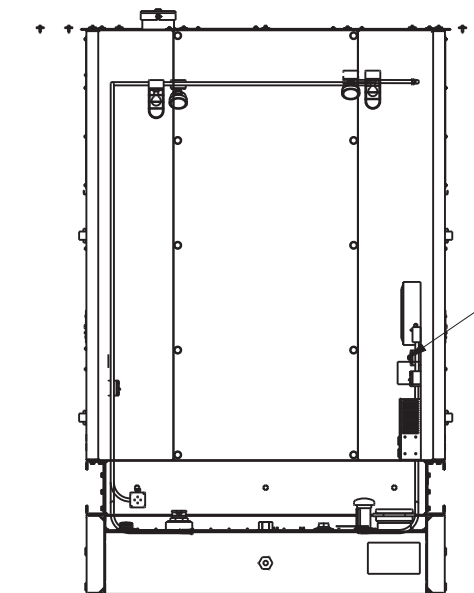
1473 X 914 [58 X 36]
FIXED AIR INTAKE
LOUVER (STANDARD)

1778 X 660.4 [70 X 26]
FIXED AIR INTAKE
LOUVER (STANDARD)
(RIGHT & LEFT SIDE)



DC LIGHT (QTY 4) INCANDESCENT LIGHT (QTY 4)
DISTRIBUTION PANEL (LEFT SIDE) RAIN CAP

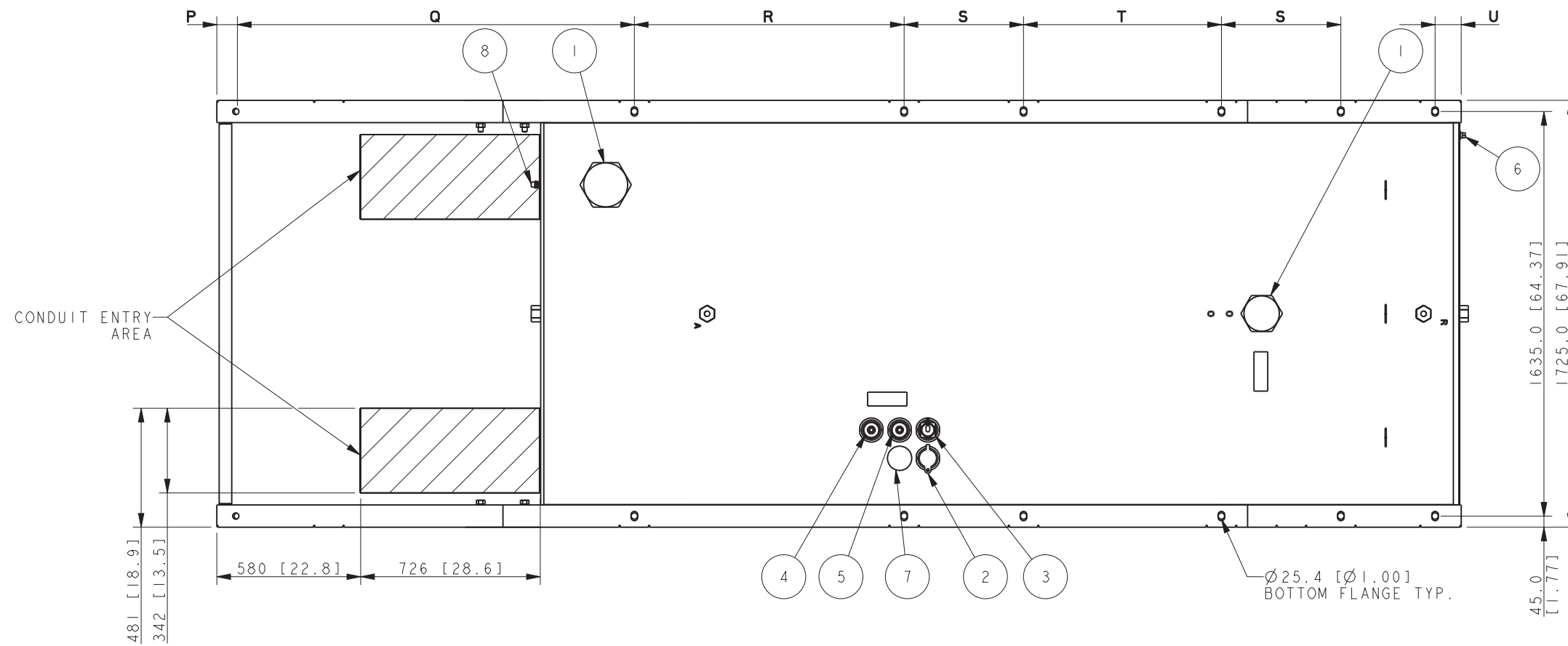
3 WAY SWITCH
W/GFI
(LEFT SIDE) BATTERY CHARGER (LEFT SIDE)



TIMER FOR
DC LIGHTS

REV	DATE	ON COMPOSITE DWGS. SEE PART NO. FOR REVISION LEVEL	BY	UNLESS OTHERWISE SPECIFIED - 1) DIMENSIONS ARE IN MILLIMETERS 2) TOLERANCES ARE:	APPROVALS	DATE	TITLE
-	2-14-11	NEW DRAWING [90647-22]	RJS	X.XX ± 0.25 X.X ± 1.0 X ± 1.5 ANGLES ± 0° 30' MAX.	SSH	2-14-11	KOHLER CO. METRIC PRO-E POWER SYSTEMS, KOHLER, WI 53044 U.S.A. THIS DRAWING IN DESIGN AND DETAIL IS KOHLER CO. PROPERTY AND MUST NOT BE USED EXCEPT IN CONNECTION WITH KOHLER CO. WORK. ALL RIGHTS OF DESIGN OR INVENTION ARE RESERVED.
A	6-13-11	SEE SHEET 1 & 4-6 [91640]	DJV	THIRD ANGLE PROJECTION	SDS	2-14-11	DIMENSION PRINT, 350-500RE0ZJ WTHR/SND LVL 1 & TANKS
B	7-15-11	SEE SHEET 1 & 2 [91583]	RJS	SCALE 0.06 CAD NO.	SDS	2-14-11	SHEET 3 of 6
C	12-12-11	SEE SHEET 5 [92430-5]	RJS	APPROVED	AJD	2-14-11	ADV-7991 D
D	5-21-13	VIEWS UPDATED FOR E-VENT [CT47063]	SVP				
E	6-25-14	SEE SHEET 1 [CT85078]	SSH				
F	1-24-19	SEE SHEET 6 [CT192916]	SDS				

STANDARD TANK



1508 [398 GAL.] 12 HOUR TANK SHOWN.

ITEM	DESCRIPTION
8	SWITCH, FUEL IN BASIN
7	VENT, NORMAL
6	DRAIN, (1/2" NPT)
5	RETURN, FUEL (1/2" NPT)
4	SUPPLY, FUEL (1/2" NPT)
3	GAUGE, FUEL LEVEL, W/ SENDER
2	FILL CAP, 2" LOCKABLE W/PIPE RISER
1	CAP, EMERGENCY VENT

12 - 48 HOUR
350-500kW STD TANK
W/ SOUND LI & WEATHER HOUSE

TANK INFORMATION		P	Q	R	S	T	U
LITERS [GALLONS]	GENSETS						
1508 [398]	12 HOURS 350-400KW						
1734 [458]	12 HOURS 500KW						
2905 [767]	24 HOURS 350-400KW						105.6 [4.2]
3347 [884]	24 HOURS 500KW	83.1 [3.3]	1604.8 [63.2]	1090.4 [42.9]	482.6 [19.0]	800.0 [31.5]	
4298 [1135]	36 HOURS 350-400KW						702.5 [27.7]
4975 [1314]	48/36 HOURS 350KW						1312.1 [51.7]
5767 [1523]	48/36 HOURS 400/500KW						1997.9 [78.7]
6659 [1759]	48 HOURS 500KW						

REV	DATE	ON COMPOSITE DWGS. SEE PART NO. FOR REVISION LEVEL	BY
-	3-14-11	NEW DRAWING [90647-22]	RJS
A	6-13-11	(A-7) 450KW REMOVED FROM GENSET COLUMN [91640]	DJV
B	7-15-11	SEE SHEET 1 & 2 [91583]	RJS
C	12-12-11	SEE SHEET 5 [92430-5]	RJS
D	5-21-13	VIEWS UPDATED FOR E-VENT [CT47063]	SVP
E	6-25-14	SEE SHEET 1 [CT85078]	SSH
F	1-24-19	SEE SHEET 6 [CT192916]	SDS

UNLESS OTHERWISE SPECIFIED -
1) DIMENSIONS ARE IN MILLIMETERS
2) TOLERANCES ARE:

X.XX ± 0.25	SURFACE FINISH MAX.
X.X ± 1.0	
X ± 1.5	

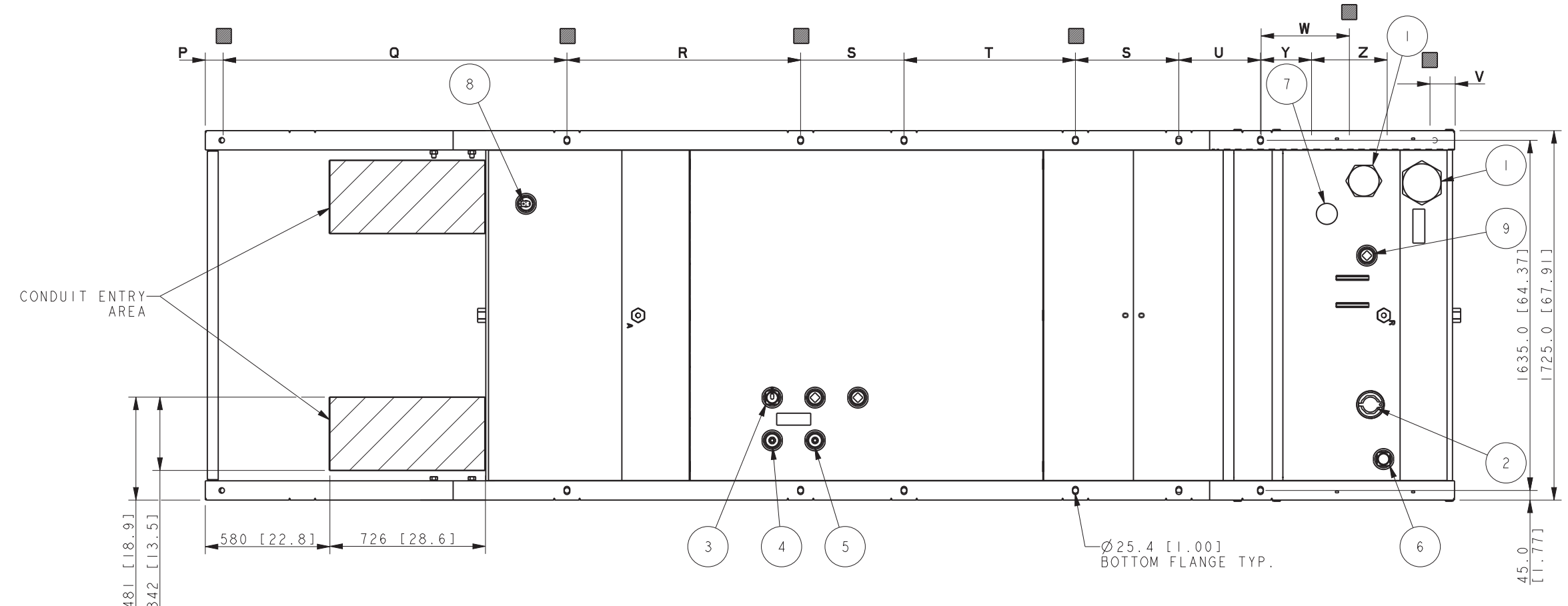
THIRD ANGLE PROJECTION

KOHLER CO. METRIC PRO-E
POWER SYSTEMS, KOHLER, WI 53044 U.S.A.
THIS DRAWING IN DESIGN AND DETAIL IS KOHLER CO. PROPERTY AND MUST NOT BE USED EXCEPT IN CONNECTION WITH KOHLER CO. WORK. ALL RIGHTS OF DESIGN OR INVENTION ARE RESERVED.

TITLE: **DIMENSION PRINT, 350-500RE02J WTHR/SND LVL 1 & TANKS**

SCALE: 0.06 CAD NO. SHEET 4 of 6
DWG NO. **ADV-7991**

STATE TANK



■ GROUND CLEARANCE I-BEAM MOUNTING HOLE ONLY

1532 [404 GAL.] 12 HOUR TANK SHOWN.

12 - 48 HOUR
350-500kW STATE TANK
W/ SOUND LI & WEATHER HOUSE

ITEM	DESCRIPTION
9	PLUG, PIPE (2"NPT)
8	SWITCH, FUEL IN BASIN TOP MTD, 2"
7	VENT, NORMAL
6	GAUGE, FUEL LEVEL, DIRECT READ
5	RETURN, FUEL (1/2" NPT)
4	SUPPLY, FUEL (1/2" NPT)
3	GAUGE, FUEL LEVEL, W/ SENDER
2	FILL CAP, 2" LOCKABLE W/PIPE RISER
1	CAP, EMERGENCY VENT

TANK INFORMATION		P	Q	R	S	T	U	V	W	Y	Z
LITERS [GALLONS]	MIN HOURS										
1532 [404]	12 HOURS STATE										
1771 [468]	12 HOURS STATE									381.0 [15.0]	
2930 [774]	24 HOURS STATE										
3385 [894]	24 HOURS STATE	83.1 [3.3]	1604.8 [63.2]	1090.4 [42.9]	482.6 [19.0]	800.0 [31.5]	482.7 [19.0]	93.0 [3.7]			
4395 [1161]	36 HOURS STATE										
5046 [1333]	48/36 HOURS STATE								2222.8 [87.5]	891.5 [35.1]	904.2 [35.6]
5767 [1523]	48/36 HOURS STATE										
6675 [1763]	48 HOURS STATE										

REV	DATE	ON COMPOSITE DWGS. SEE PART NO. FOR REVISION LEVEL	BY	UNLESS OTHERWISE SPECIFIED - 1) DIMENSIONS ARE IN MILLIMETERS 2) TOLERANCES ARE:
-	3-14-11	NEW DRAWING [90647-22]	RJS	X.XX ± 0.25 X.X ± 1.0 X ± 1.5
A	6-13-11	(A-7) 450KW REMOVED FROM GENSET COLUMN [91640]	DJV	ANGLES ± 0° 30' MAX.
B	7-15-11	SEE SHEET 1 & 2 [91583]	RJS	
C	12-12-11	(D-2,3) DIM U REVISED, DIM V,W,Y & Z ADDED [92430-5]	RJS	
D	5-21-13	VIEWS UPDATED FOR E-VENT [CT47063]	SVP	
E	6-25-14	SEE SHEET 1 [CT85078]	SSH	
F	1-24-19	SEE SHEET 6 [CT192916]	SDS	

KOHLER CO. METRIC PRO-E

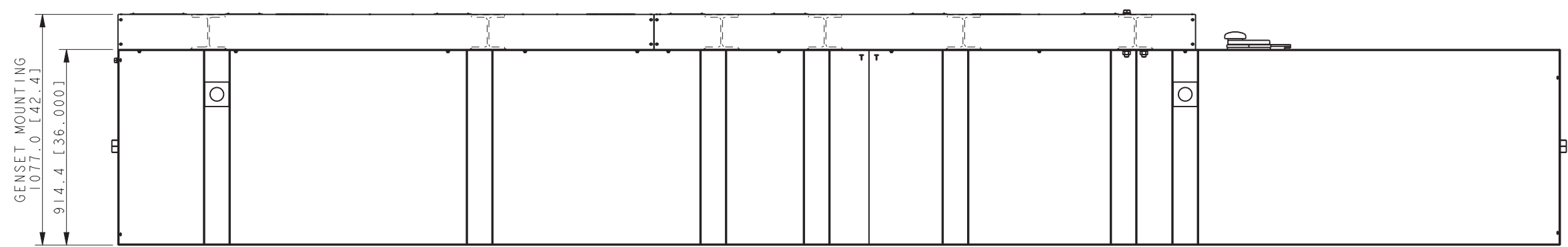
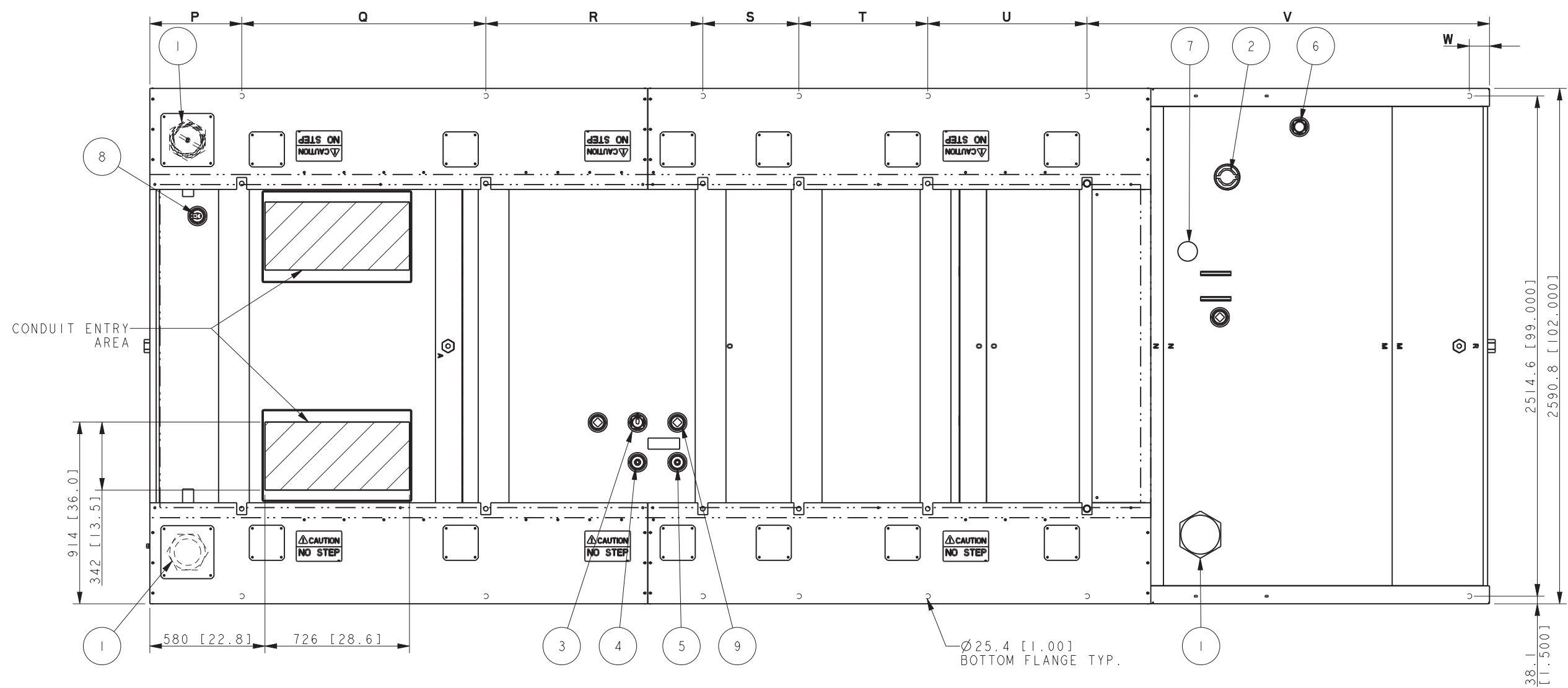
POWER SYSTEMS, KOHLER, WI 53044 U.S.A.
THIS DRAWING IN DESIGN AND DETAIL IS KOHLER CO. PROPERTY AND MUST NOT BE USED EXCEPT IN CONNECTION WITH KOHLER CO. WORK. ALL RIGHTS OF DESIGN OR INVENTION ARE RESERVED.

TITLE: **DIMENSION PRINT, 350-500RE02J WTHR/SND LVL 1 & TANKS**

SCALE: 0.09 CAD NO. SHEET 5 of 6

ADV-7991 **D**

STATE TANK



ITEM	DESCRIPTION
9	PLUG, PIPE (2" NPT)
8	SWITCH, FUEL IN BASIN TOP MTD, 2"
7	VENT, NORMAL
6	GAUGE, FUEL LEVEL, DIRECT READ
5	RETURN, FUEL (1/2" NPT)
4	SUPPLY, FUEL (1/2" NPT)
3	GAUGE, FUEL LEVEL, W/ SENDER
2	FILL CAP, 2" LOCKABLE W/PIPE RISER
1	CAP, EMERGENCY VENT

TANK INFORMATION										
LITERS [GALLONS]	MIN HOURS	GENSETS	P	Q	R	S	T	U	V	W
10009 [2644]	72 HOURS	350-400KW	461.6 [18.2]	1226.4 [48.3]	1090.4 [42.9]	482.6 [19.0]	647.6 [25.5]	800 [31.5]	2022.4 [79.6]	101.6 [4.0]
		500KW								

72 HOUR
350-500kW STATE TANK
W/ SOUND LI & WEATHER HOUSE

REV	DATE	BY	DESCRIPTION
-	3-14-11	RJS	NEW DRAWING [90647-22]
A	6-13-11	DJV	(A-7) 450KW REMOVED FROM GENSET COLUMN [91640]
B	7-15-11	RJS	SEE SHEET 1 & 2 [91583]
C	12-12-11	RJS	VIEW GEOMETRY UPDATED, SEE SHEET 5 [92430-5]
D	5-21-13	SVP	VIEWS UPDATED FOR E-VENT [CT47063]
E	6-25-14	SSH	SEE SHEET 1 [CT85078]
F	1-24-19	SDS	(D-2, A-5) "W" DIMENSION ADDED [CT192916]

KOHLER CO. METRIC PRO-E
 POWER SYSTEMS, KOHLER, WI 53044 U.S.A.
 THIS DRAWING IN DESIGN AND DETAIL IS KOHLER CO. PROPERTY AND MUST NOT BE USED EXCEPT IN CONNECTION WITH KOHLER CO. WORK. ALL RIGHTS OF DESIGN OR INVENTION ARE RESERVED.

TITLE: **DIMENSION PRINT, 350-500RE02J WTHR/SND LVL 1 & TANKS**

SCALE: 1.00 CAD NO. SHEET 6 of 6
 DWG NO. **ADV-7991**