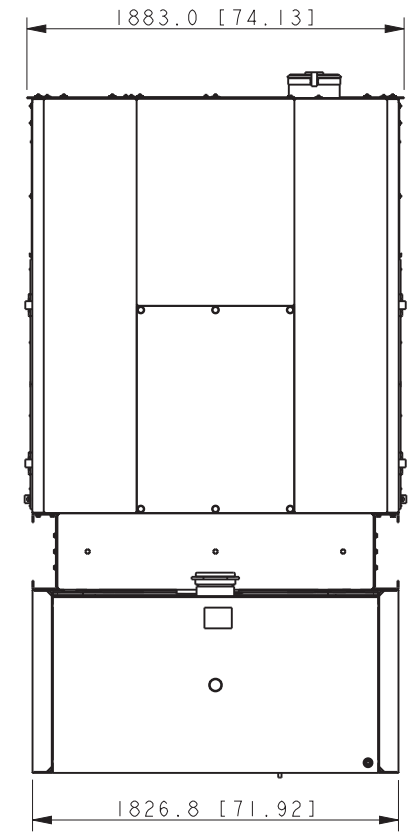
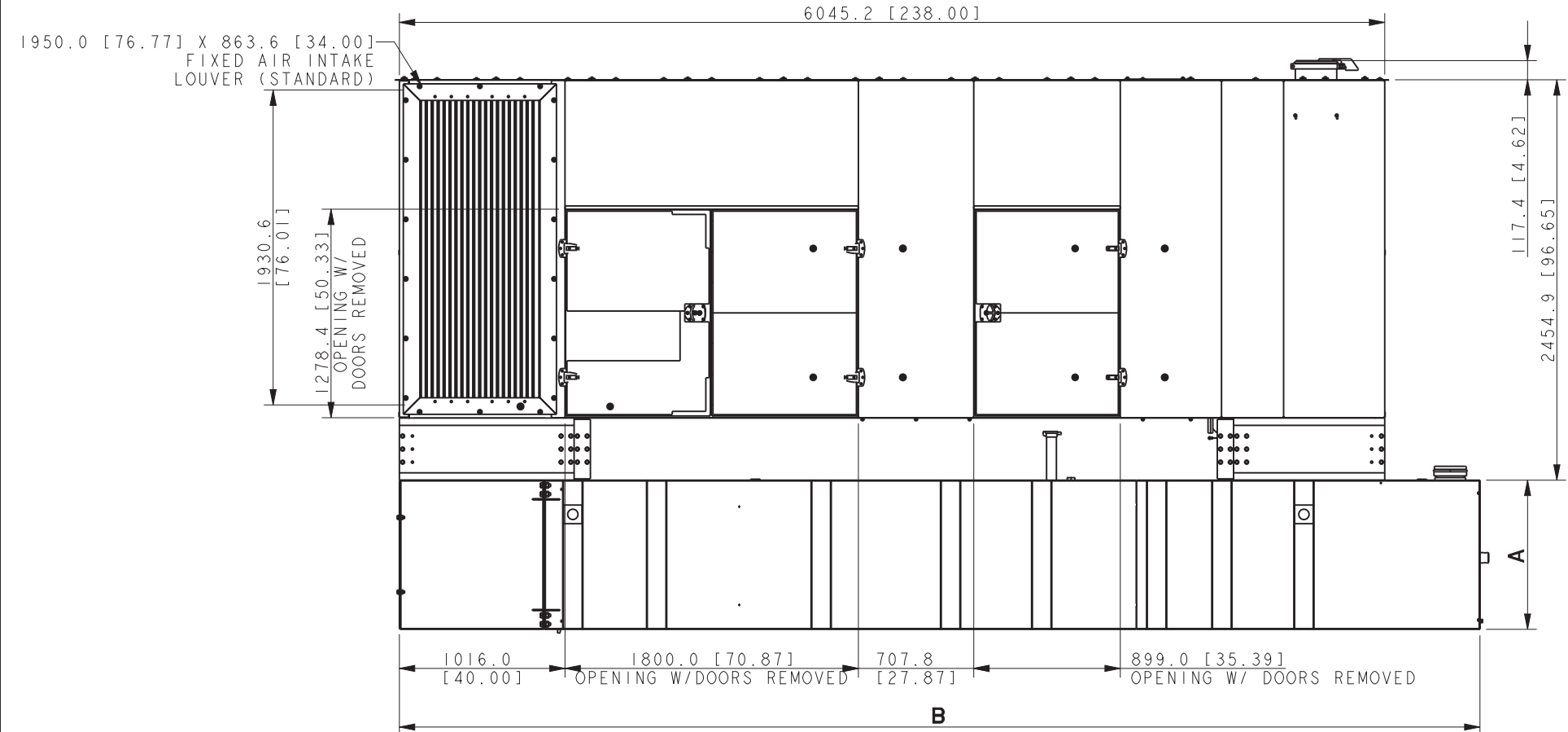


WEATHER ENCLOSURE



TANK INFORMATION				
LITERS [GALLONS] MIN HOURS	GENSETS	DIM A MM [INCH]	DIM B MM [INCH]	TANK WEIGHT KG [LBS] (NO FUEL)
2049 [541] 12 HOURS	500-600KW	406.4 [16.0]	6045.2 [238.0]	1444 [3183]
3910 [1033] 24 HOURS		736.6 [29.0]		1793 [3952]
5730 [1513] 36 HOURS		914.4 [36.0]	6629.4 [261.0]	2201 [4853]
7645 [2019] 48 HOURS				2665 [5876]
2039 [538] 12 HOURS STATE		381.0 [15.0]	6858.0 [270.0]	1591 [3508]
3930 [1038] 24 HOURS STATE		660.4 [26.0]		1893 [4173]
5757 [1520] 36 HOURS STATE		914.4 [36.0]	8458.2 [333.0]	2177 [4800]
7658 [2023] 48 HOURS STATE				2680 [5908]

500-600KW REOZVB/C
STEEL/ALUM ENCL & TANKS
SOUND & WEATHER

NOTES:
FOR PROPER ASSEMBLY METHOD OF HARDWARE, USE G-585 AS A GUIDELINE.

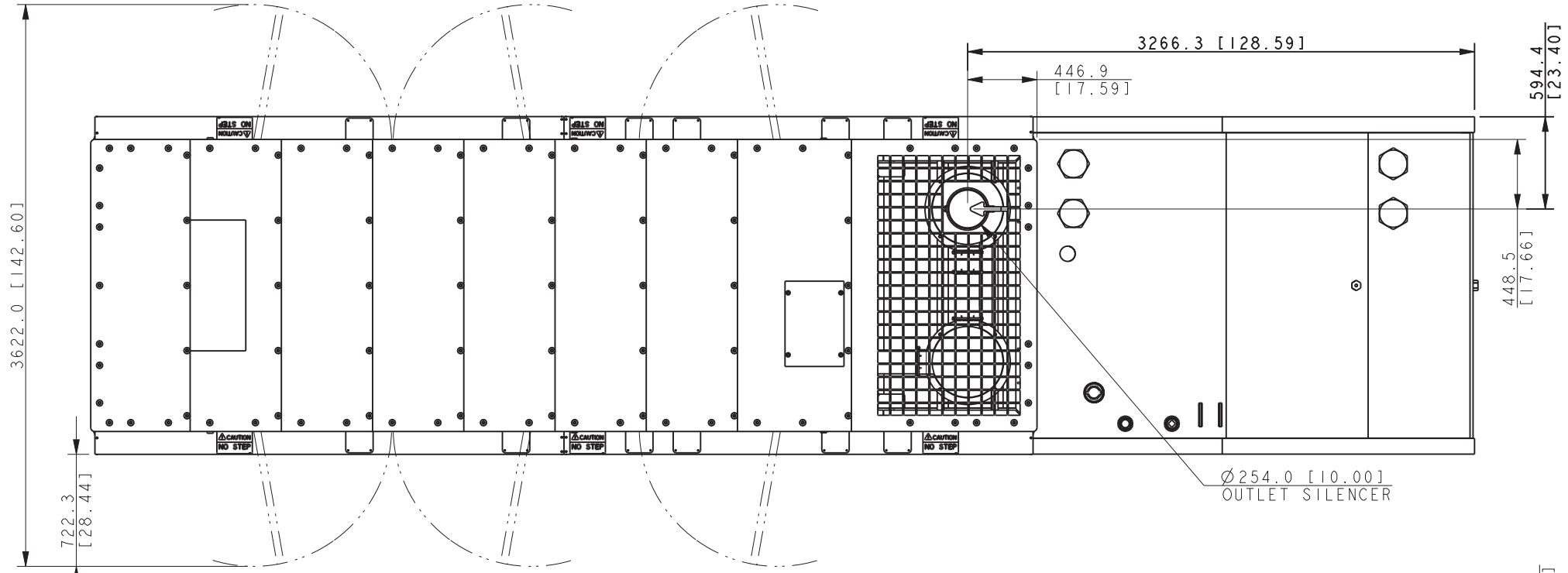
500-600 REOZVB		KG [LBS]
STEEL SOUND L2 ENCLOSURE WEIGHT	1483 [3270]	
ALUM SOUND L2 ENCLOSURE WEIGHT	859 [1895]	
STEEL WEATHER ENCLOSURE WEIGHT	1326 [2925]	
ALUM WEATHER ENCLOSURE WEIGHT	703 [1550]	

REV	DATE	ON COMPOSITE DWGS. SEE PART NO. FOR REVISION LEVEL	BY	UNLESS OTHERWISE SPECIFIED - 1) DIMENSIONS ARE IN MILLIMETERS 2) TOLERANCES ARE:
-	6-27-11	NEW DRAWING [91023-12]	RJS	X.XX ±
A	3-19-12	(A-8) SEE SHEETS 5-6 [CT08748]	DJV	X.X ±
B	1-10-13	SHEET 7 ADDED [CT34883]	SDS	ANGLES ±
C	8/10/17	(D-4) ADD DIM Ø254.0 SEE SHEETS 2,4,5,6 [CT172496]	RMJ	

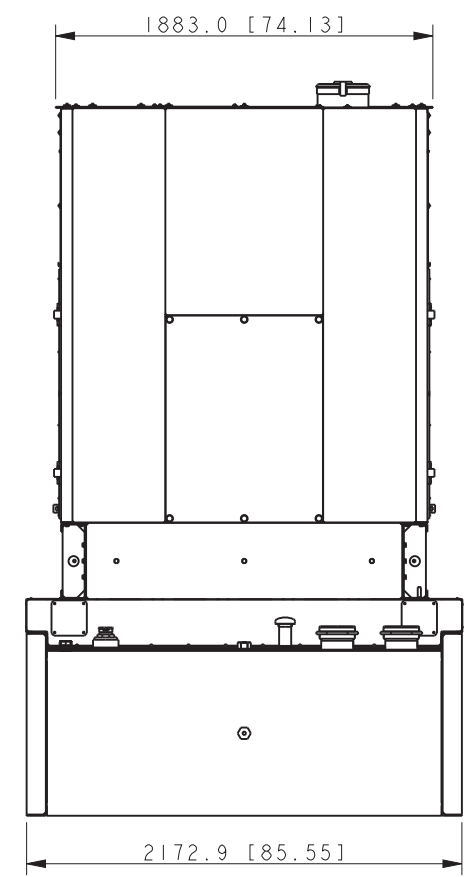
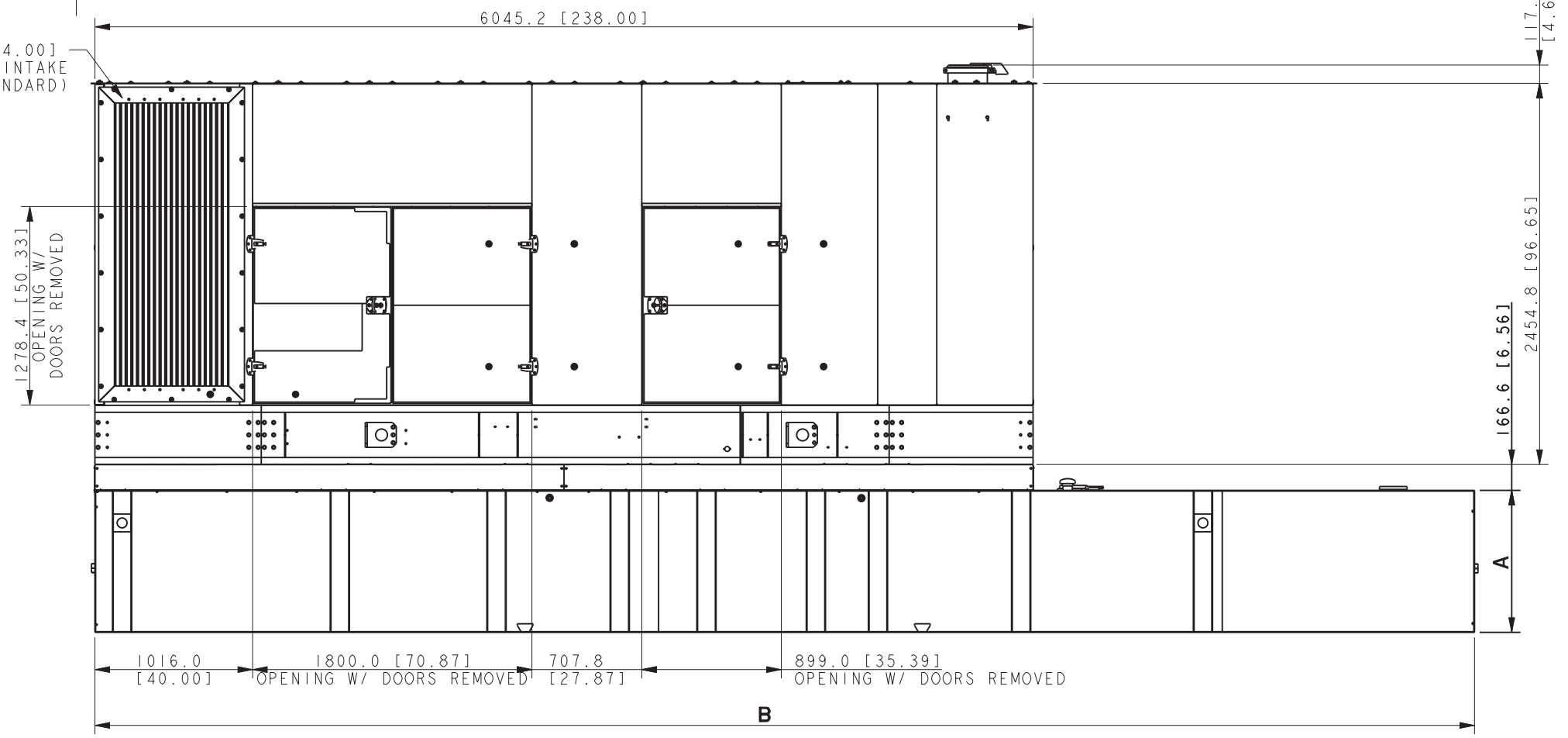
KOHLER CO. METRIC PRO-E
POWER SYSTEMS, KOHLER, WI 53044 U.S.A.
THIS DRAWING IN DESIGN AND DETAIL IS KOHLER CO. PROPERTY AND MUST NOT BE USED EXCEPT IN CONNECTION WITH KOHLER CO. WORK. ALL RIGHTS OF DESIGN OR INVENTION ARE RESERVED.

TITLE: **DIMENSION PRINT, 500-600KW ENCLS & TANKS**

SCALE: 0.05 CAD NO. SHEET 1 of 7
DWG NO. **ADV-8417**



1930.4 [76.00] X 863.6 [34.00]
FIXED AIR INTAKE
LOUVER (STANDARD)



500-600 REOZVB	KG [LBS]
STEEL SOUND L2 ENCLOSURE WEIGHT	1326 [2923]
ALUM SOUND L2 ENCLOSURE WEIGHT	768 [1694]

REV	DATE	BY	ON COMPOSITE DWGS. SEE PART NO. FOR REVISION LEVEL
-	6-27-11	RJS	NEW DRAWING [91023-12]
A	3-19-12	DJV	(A-8) SEE SHEETS 5-6 [CT08748]
B	1-10-13	SDS	SEE SHEET 1 [CT34883]
C	8-10-17	RMJ	(C-4) ADD DIM 254.0, SEE SHEETS 1,4,5,6, [CT172496]

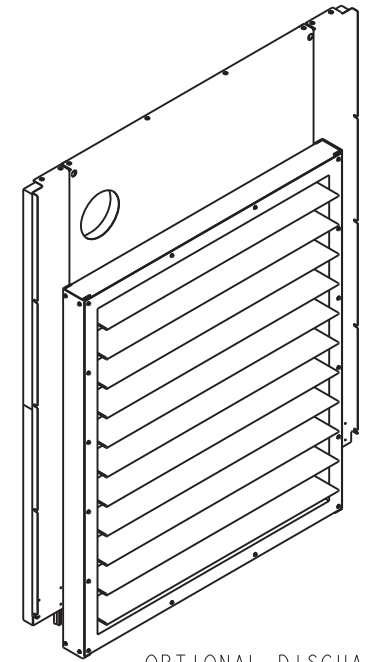
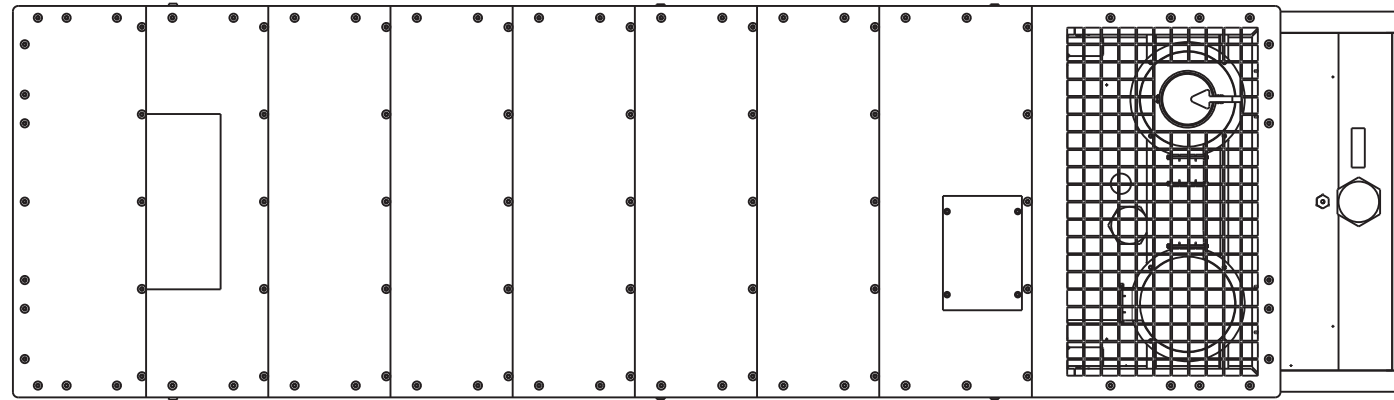
KOHLER CO. METRIC PRO-E
POWER SYSTEMS, KOHLER, WI 53044 U.S.A.
THIS DRAWING IN DESIGN AND DETAIL IS KOHLER CO. PROPERTY AND MUST NOT BE USED EXCEPT IN CONNECTION WITH KOHLER CO. WORK. ALL RIGHTS OF DESIGN OR INVENTION ARE RESERVED.

TITLE: **DIMENSION PRINT, 500-600KW ENCLS & TANKS**

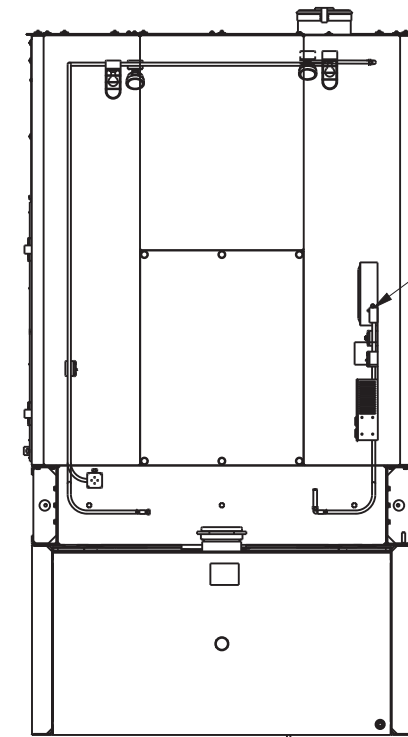
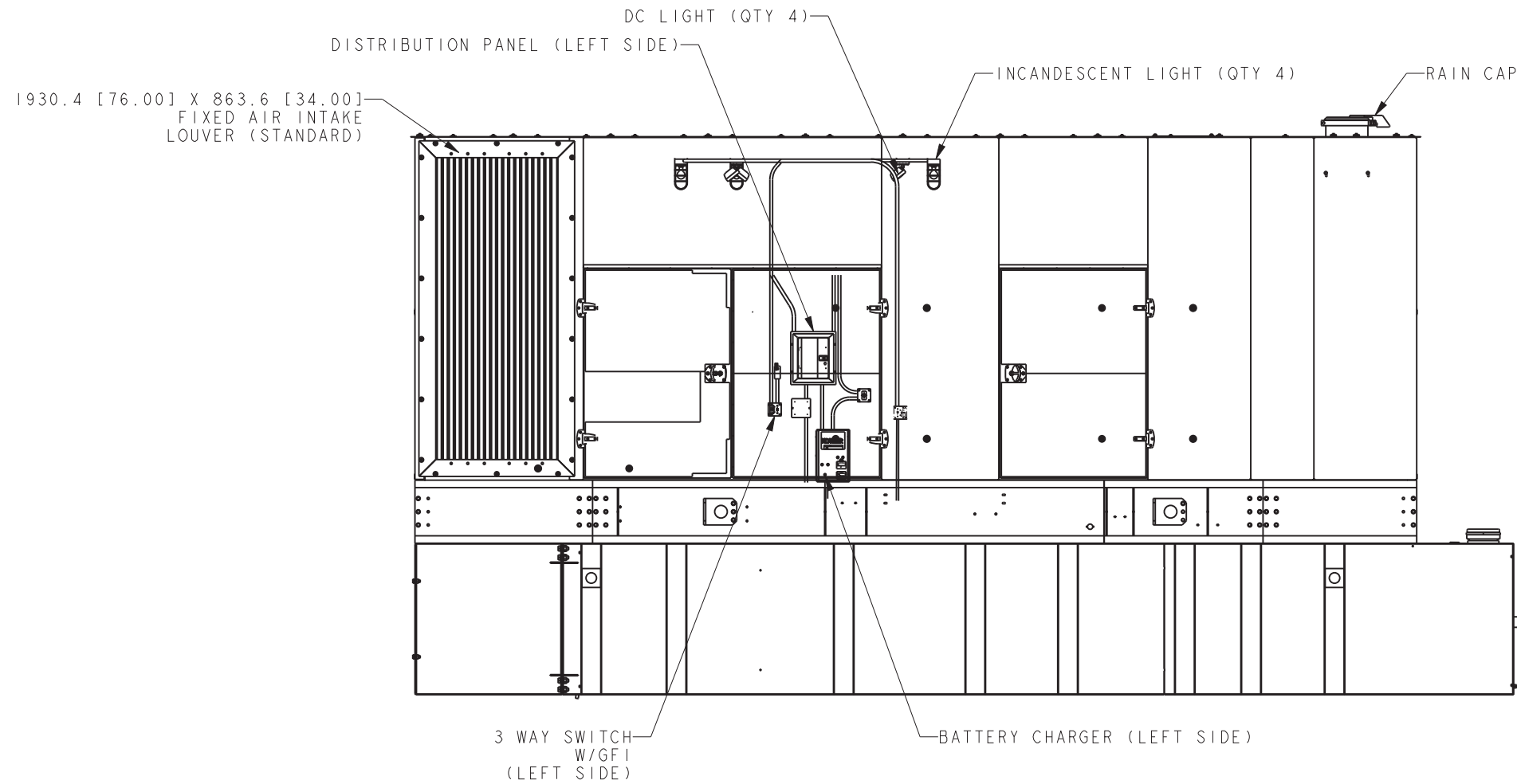
SCALE: 0.40 CAD NO. SHEET 2 of 7
DWG NO. **ADV-8417**

TANK INFORMATION				
LITERS [GALLONS] MIN HOURS	GENSETS	DIM A MM [INCH]	DIM B MM [INCH]	TANK WEIGHT KG [LBS] (NO FUEL)
11554 [3052] 72 HOURS STATE	500-600KW	914.4 [36.0]	8890.0 [350.0]	4205 [9270]

8 7 6 5 4 3 2 1

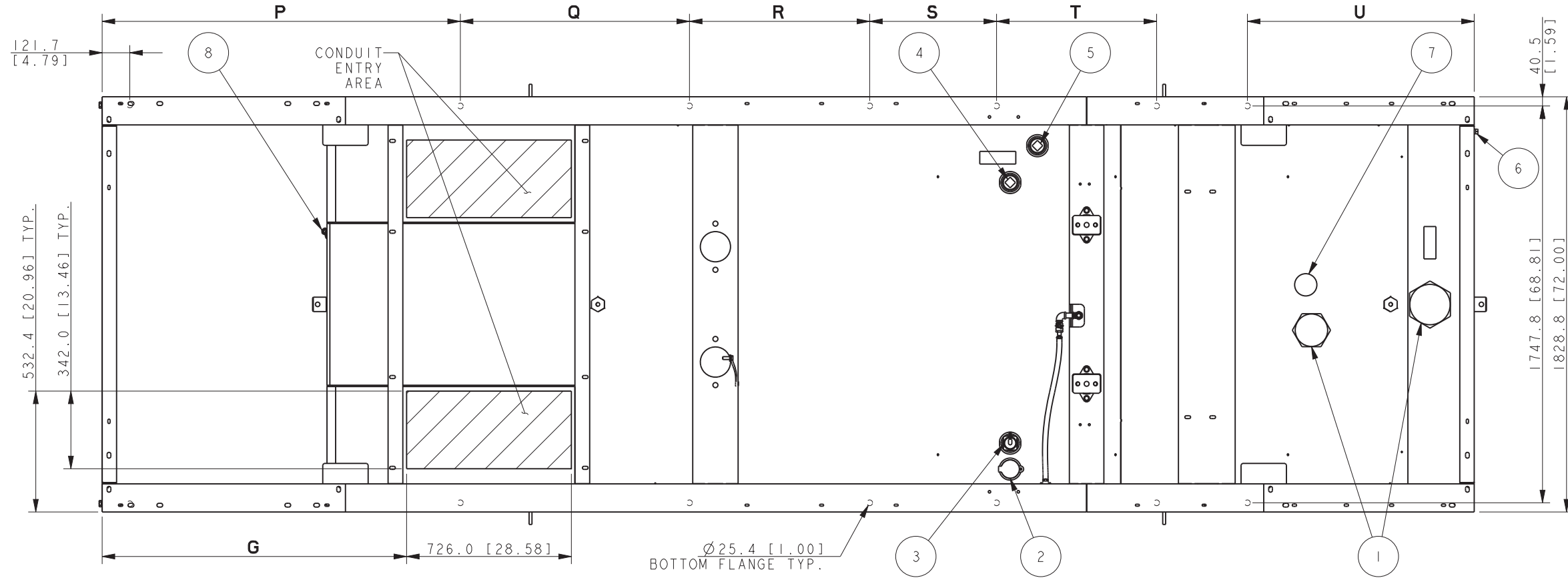


OPTIONAL DISCHARGE DAMPER
(MOUNTED INSIDE DISCHARGE PLENUM)

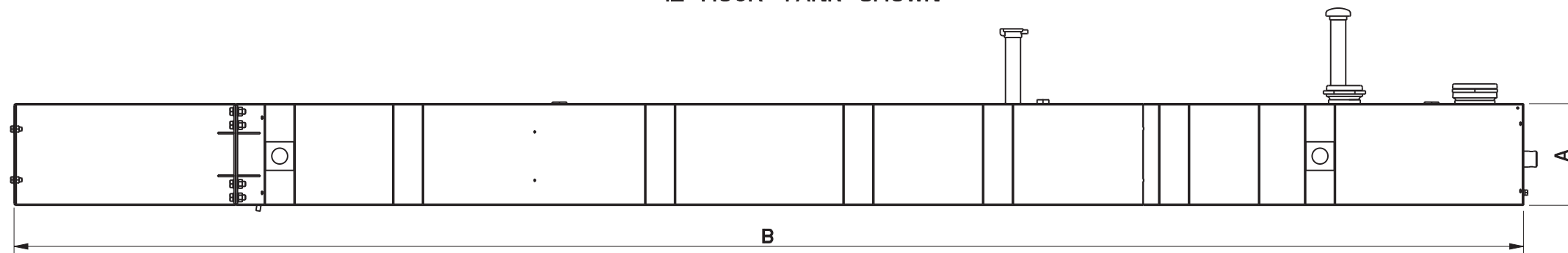


TIMER FOR DC LIGHTS

REV	DATE	ON COMPOSITE DWGS. SEE PART NO. FOR REVISION LEVEL	BY	UNLESS OTHERWISE SPECIFIED - 1) DIMENSIONS ARE IN MILLIMETERS 2) TOLERANCES ARE:	APPROVALS	DATE	TITLE
-	6-27-11	NEW DRAWING [91023-12]	RJS	X.XX ±			KOHLER CO. METRIC PRO-E POWER SYSTEMS, KOHLER, WI 53044 U.S.A. THIS DRAWING IN DESIGN AND DETAIL IS KOHLER CO. PROPERTY AND MUST NOT BE USED EXCEPT IN CONNECTION WITH KOHLER CO. WORK. ALL RIGHTS OF DESIGN OR INVENTION ARE RESERVED. DIMENSION PRINT, 500-600KW ENCLS & TANKS SCALE 0.40 CAD NO. SHEET 3 of 7 DWG NO. ADV-8417
A	3-19-12	(A-8) SEE SHEETS 5-6 [CT08748]	DJV	X.X ±			
B	1-10-13	SEE SHEET 1 [CT34883]	SDS	X ±			
C	8-10-17	SEE SHEET 1,2,4,5,6 [CT172496]	RMJ	ANGLES ±			
				THIRD ANGLE PROJECTION	APPROVED	DATE	
					APPROVED	DATE	
					APPROVED	DATE	
					APPROVED	DATE	



12 HOUR TANK SHOWN



2049 L [541 GAL.] 12 HOUR TANK SHOWN.

LITERS [GALLONS] MIN HOURS	TANK INFORMATION								WEIGHT KG [LBS]	JUNCTION BOX			
	A	B	P	Q	R	S	T	U		G			
										500-550 KW	600 KW		
2049 [541] 12 HOURS	406.4 [16.0]	6045.2 [238.0]	1578.2 [62.1]	1009.5 [39.7]	794.0 [31.3]	559.0 [22.0]	705.2 [27.8]	999.3 [39.3]	5M4024, 5M4027	5M4032	5M4030	5M4032	
3910 [1033] 24 HOURS	736.6 [29.0]								5M4028, 5M4030	5M4162, 5M4270	5M4164	5M4272	5M4164
5730 [1513] 36 HOURS	914.4 [36.0]	6629.4 [261.0]						1583.5 [62.3]	1341.3 [52.8]	1176.2 [46.3]	1174.2 [46.2]	1009.1 [39.7]	
7645 [2019] 48 HOURS		8026.4 [316.0]						2980.5 [117.3]					

12 - 48 HOUR 500-600KW REOZVB/C
GENSET & STANDARD TANKS WITH
SOUND OR WEATHER ENCLOSURE

8	SWITCH, FUEL IN BASIN
7	VENT, NORMAL
6	DRAIN, (1/2" NPT)
5	RETURN, FUEL
4	SUPPLY, FUEL
3	GAUGE, FUEL LEVEL, W/ SENDER
2	FILL CAP, 2" LOCKABLE W/PIPE RISER
1	CAP, EMERGENCY VENT
ITEM	DESCRIPTION

REV	DATE	ON COMPOSITE DWGS. SEE PART NO. FOR REVISION LEVEL	BY
-	6-29-11	NEW DRAWING [91023-12]	JB2
A	3-19-12	(A-8) SEE SHEETS 5-6 [CT08748]	DJV
B	1-10-13	SEE SHEET 1 [CT34883]	SDS
C	8-10-17	(B-5) ADD NOTE, SEE SHEET 1,2,5,6 [CT172496]	RMJ

UNLESS OTHERWISE SPECIFIED -
1) DIMENSIONS ARE IN MILLIMETERS
2) TOLERANCES ARE:
X.XX ±
X.X ±
X ±
ANGLES ±

THIRD ANGLE PROJECTION

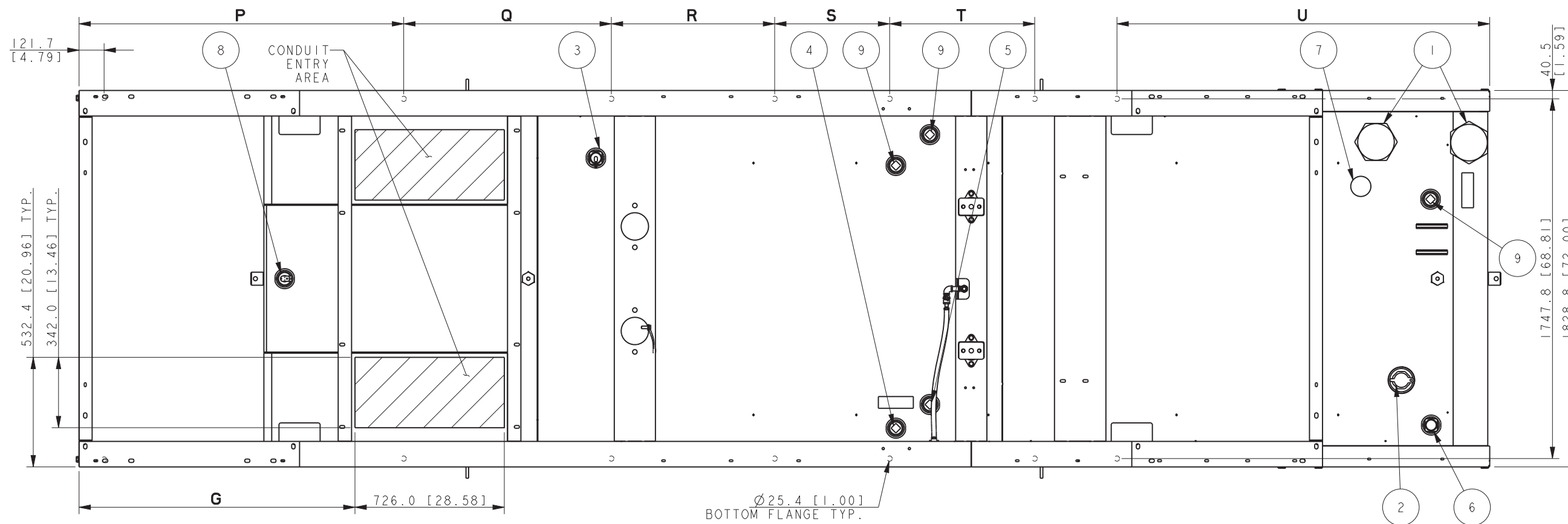
APPROVALS DATE
DRAWN RJS 6-29-11
CHECKED RJS 6-29-11
APPROVED AJD 6-29-11

KOHLER CO. METRIC PRO-E
POWER SYSTEMS, KOHLER, WI 53044 U.S.A.
THIS DRAWING IN DESIGN AND DETAIL IS KOHLER CO. PROPERTY AND MUST NOT BE USED EXCEPT IN CONNECTION WITH KOHLER CO. WORK. ALL RIGHTS OF DESIGN OR INVENTION ARE RESERVED.

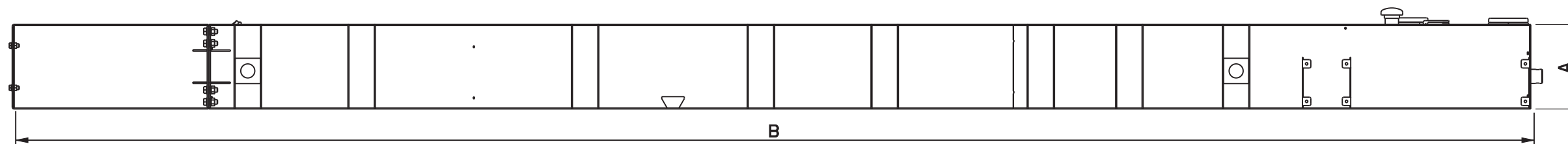
TITLE
DIMENSION PRINT, 500-600KW ENCLS & TANKS

SCALE 0.40 CAD NO. SHEET 4 of 7
DWG NO. **ADV-8417**

STATE TANK



12 HOUR STATE TANK SHOWN



2039 L [538 GAL.] 12 HOUR TANK SHOWN.

REFER TO SEISMIC ADV FOR IBC/OSHPD SEISMIC MOUNTING LOCATIONS

LITERS [GALLONS] MIN HOURS	TANK INFORMATION								WEIGHT KG [LBS]	JUNCTION BOX			
	A	B	P	Q	R	S	T	U		G			
										500-550 KW	600 KW		
2039 [538] 12 HOURS	381.0 [15.0]								1591 [3508]				
3930 [1038] 24 HOURS	660.4 [26.0]	6858.0 [270.0]	1578.2 [62.1]	1009.5 [39.7]	794.0 [31.3]	559.0 [22.0]	705.2 [27.8]	1812.1 [71.3]	1893 [4173]	1341.3 [52.8]	1176.2 [46.3]	1174.2 [46.2]	1009.1 [39.7]
5757 [1520] 36 HOURS	914.4 [36.0]								2177 [4800]				
7658 [2023] 48 HOURS		8458.2 [333.0]						3412.3 [134.3]	2680 [5908]				

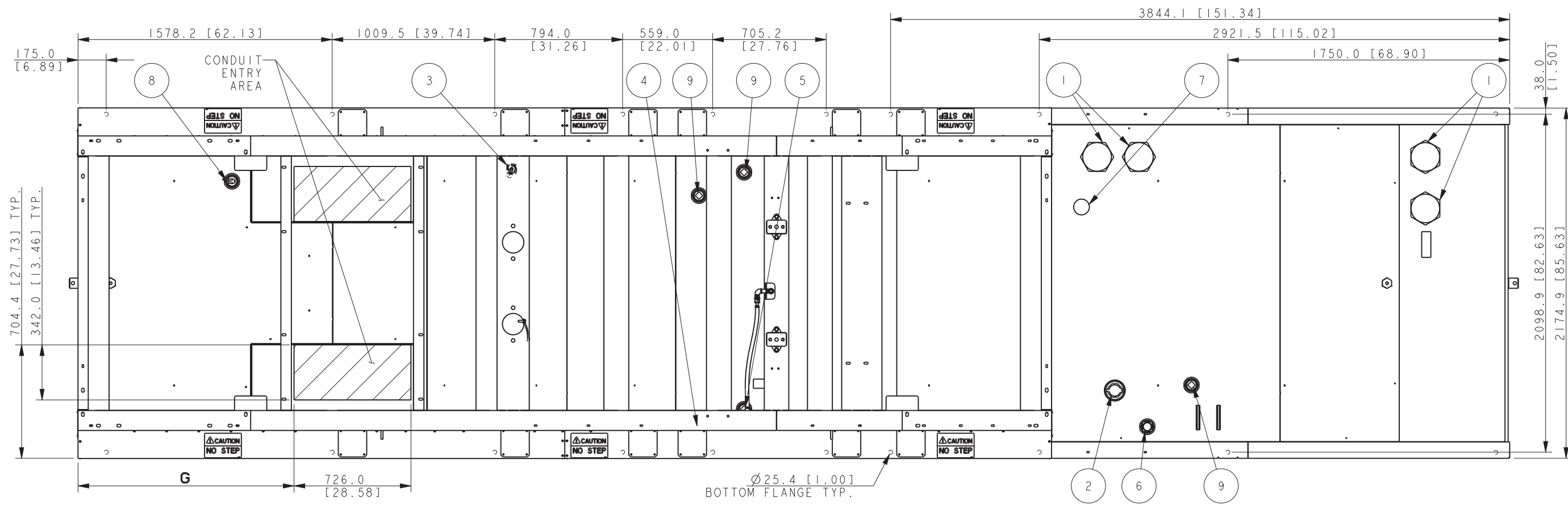
12 - 48 HOUR 500-600KW REOZVB/C
GENSET & STATE TANKS WITH
SOUND OR WEATHER ENCLOSURE

ITEM	DESCRIPTION
9	PLUG, PIPE (2" NPT)
8	SWITCH, FUEL IN BASIN TOP MTD, 2"
7	VENT, NORMAL
6	GAUGE, FUEL LEVEL, DIRECT READ
5	RETURN, FUEL
4	SUPPLY, FUEL
3	GAUGE, FUEL LEVEL, W/ SENDER
2	FILL CAP, 2" LOCKABLE W/PIPE RISER
1	CAP, EMERGENCY VENT

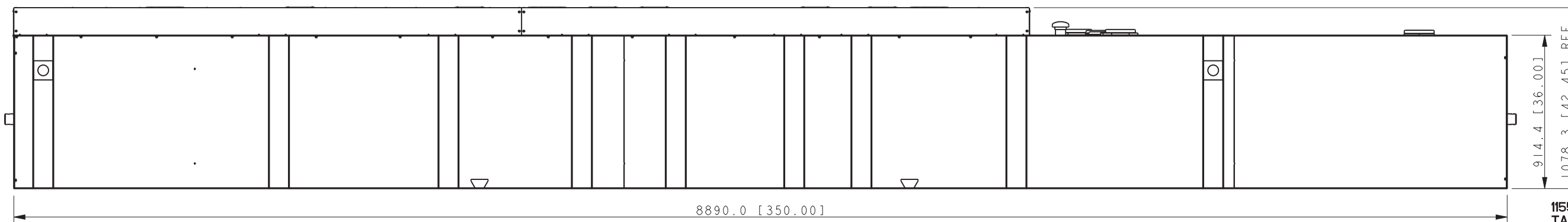
REV	DATE	ON COMPOSITE DWGS. SEE PART NO. FOR REVISION LEVEL	BY	UNLESS OTHERWISE SPECIFIED - 1) DIMENSIONS ARE IN MILLIMETERS 2) TOLERANCES ARE:
-	6-29-11	NEW DRAWING [91023-12]	JB2	X.XX ±
A	3-19-12	(A-8) SEISMIC NOTE ADDED [CT08748]	DJV	X.X ±
B	1-10-13	SEE SHEET 1 [CT34883]	SDS	ANGLES ±
C	8-10-17	(B-5) ADD NOTE, SEE SHEET 1,2,4,6 [CT172496]	RMJ	

APPROVALS	DATE
DRAWN RJS	6-29-11
CHECKED RJS	6-29-11
APPROVED AJD	6-29-11

TITLE		SCALE 1.00		CAD NO.	SHEET 5 of 7
DIMENSION PRINT, 500-600KW ENCLS & TANKS					
DWG NO. ADV-8417					D



72 HOUR STATE TANK SHOWN



11554 L [3052 GAL.] 72 HOUR TANK SHOWN. WEIGHT: 4205 [9270]

REFER TO SEISMIC ADV FOR IBC/OSHPD SEISMIC MOUNTING LOCATIONS

JUNCTION BOX			
G			
500-550 KW		600 KW	
5M4024, 5M4027 5M4028, 5M4030 5M4162, 5M4270 5M4272	5M4032 5M4164	5M4030 5M4272	5M4032 5M4164 5M4272
1341.3 [52.8]	1176.2 [46.3]	1174.2 [46.2]	1009.1 [39.7]

72 HOUR 500-600KW REOZVB/C GENSET & STATE TANK WITH SOUND OR WEATHER ENCLOSURE

ITEM	DESCRIPTION
9	PLUG, PIPE (2" NPT)
8	SWITCH, FUEL IN BASIN TOP MTD, 2"
7	VENT, NORMAL
6	GAUGE, FUEL LEVEL, DIRECT READ
5	RETURN, FUEL
4	SUPPLY, FUEL
3	GAUGE, FUEL LEVEL, W/ SENDER
2	FILL CAP, 2" LOCKABLE W/PIPE RISER
1	CAP, EMERGENCY VENT

REV	DATE	ON COMPOSITE DWGS. SEE PART NO. FOR REVISION LEVEL	BY
-	6-29-11	NEW DRAWING [91023-12]	JB2
A	3-19-12	(A-8) SEISMIC NOTE ADDED [CT08748]	DJV
B	1-10-13	SEE SHEET 1 [CT34883]	SDS
C	8-10-17	(B-5) ADD NOTE, SEE SHEET 1,2,4,5 [CT172496]	RMJ

UNLESS OTHERWISE SPECIFIED -
1) DIMENSIONS ARE IN MILLIMETERS
2) TOLERANCES ARE:
X.XX ±
X.X ±
X ANGLES ±

THIRD ANGLE PROJECTION

APPROVALS: DATE
DRAWN: RJS 6-29-11
CHECKED: RJS 6-29-11
APPROVED: AJD 6-29-11

KOHLER CO. METRIC PRO-E
POWER SYSTEMS, KOHLER, WI 53044 U.S.A.
THIS DRAWING IN DESIGN AND DETAIL IS KOHLER CO. PROPERTY AND MUST NOT BE USED EXCEPT IN CONNECTION WITH KOHLER CO. WORK. ALL RIGHTS OF DESIGN OR INVENTION ARE RESERVED.

TITLE: **DIMENSION PRINT, 500-600KW ENCLS & TANKS**
SCALE: 0.08 CAD NO. SHEET 6 of 7
DWG NO. **ADV-8417**

8 7 6 5 4 3 2 1

D

D

C

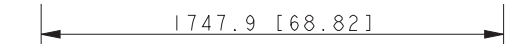
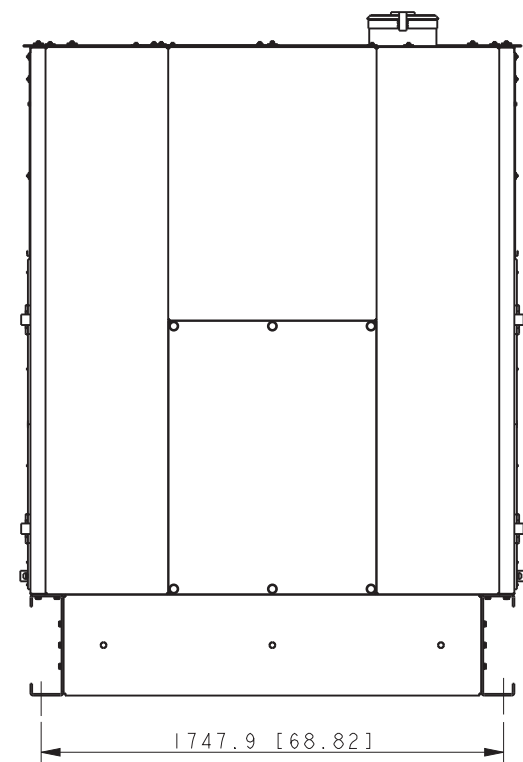
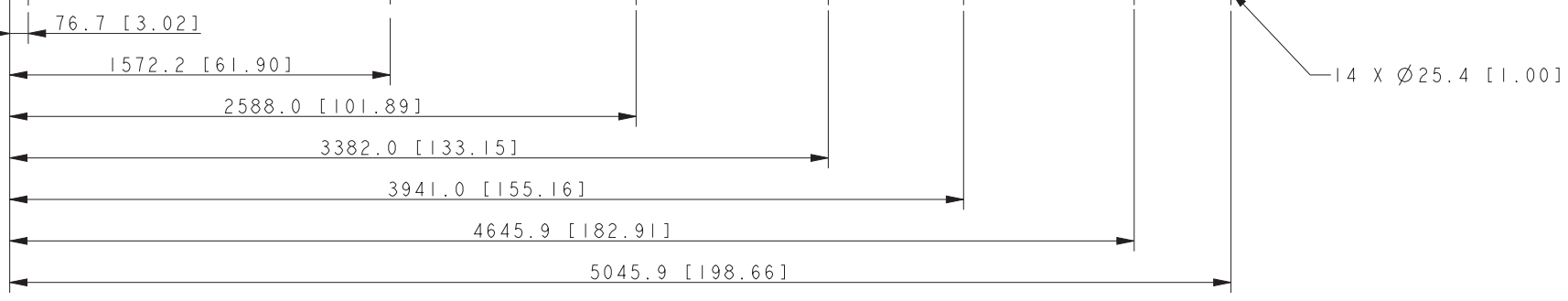
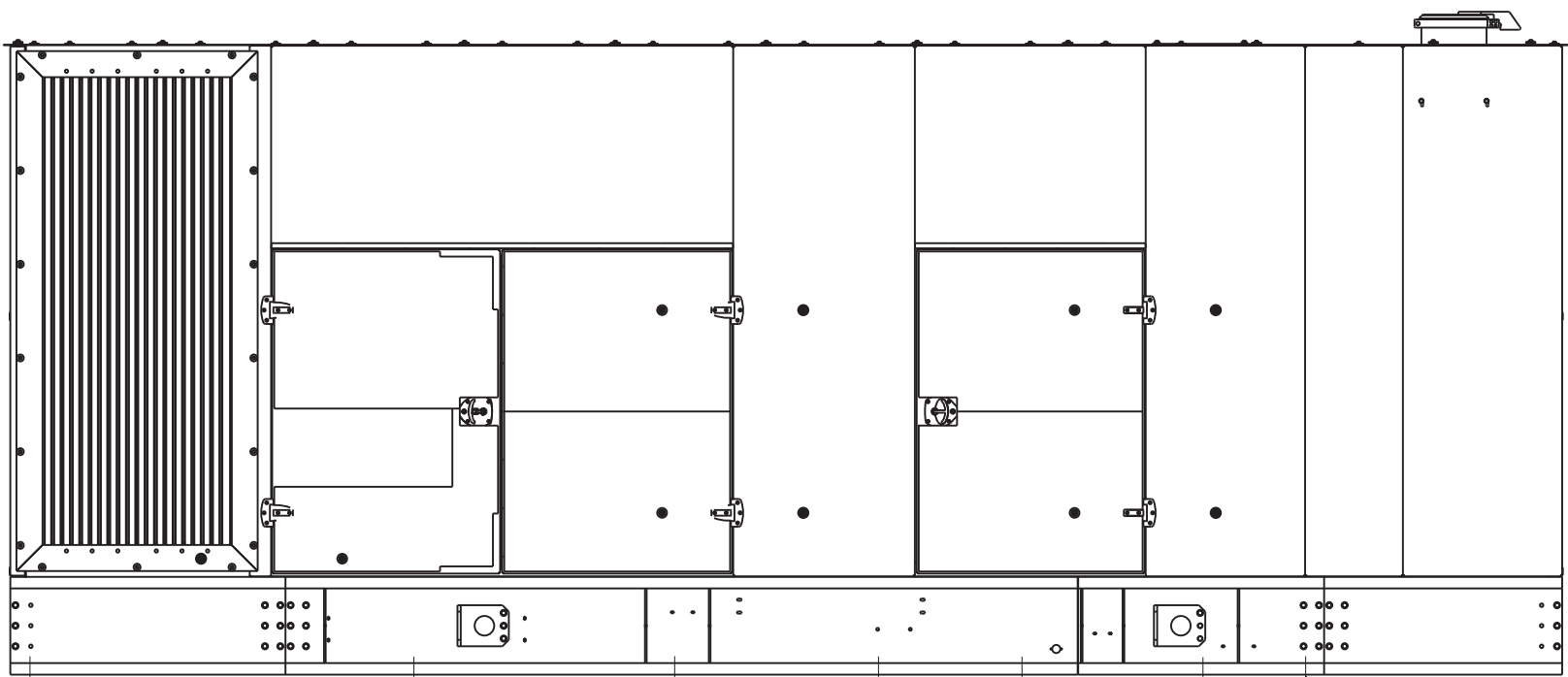
C

B

B

A

A



NOTES:

FOR PROPER ASSEMBLY METHOD OF HARDWARE,
USE G-585 AS A GUIDELINE.

500-600KW REOZVB/C
STEEL/ALUM ENCL & TANKS
SOUND & WEATHER

REV	DATE	ON COMPOSITE DWGS. SEE PART NO. FOR REVISION LEVEL	BY	UNLESS OTHERWISE SPECIFIED - 1) DIMENSIONS ARE IN MILLIMETERS 2) TOLERANCES ARE:	TITLE
B	1-10-13	SEE SHEET 1 [CT34883]	SDS	X.XX ± 0.25 X.X ± 1.0 X ± 1.5 ANGLES ± 0° 30' MAX.	KOHLER CO. METRIC PRO-E POWER SYSTEMS, KOHLER, WI 53044 U.S.A. THIS DRAWING IN DESIGN AND DETAIL IS KOHLER CO. PROPERTY AND MUST NOT BE USED EXCEPT IN CONNECTION WITH KOHLER CO. WORK. ALL RIGHTS OF DESIGN OR INVENTION ARE RESERVED.
C	8-10-17	SEE SHEETS 1,2,4,5,6 [CT172496]	RMJ	THIRD ANGLE PROJECTION	DIMENSION PRINT, 500-600KW ENCLS & TANKS
				APPROVALS	DATE
				DRAWN	1-10-13
				CHECKED	RJS 1-10-13
				APPROVED	AJD 1-10-13
				SCALE 0.05	CAD NO. SHEET 7 of 7
				DWG NO.	ADV-8417

8 7 6 5 4 3 2 1