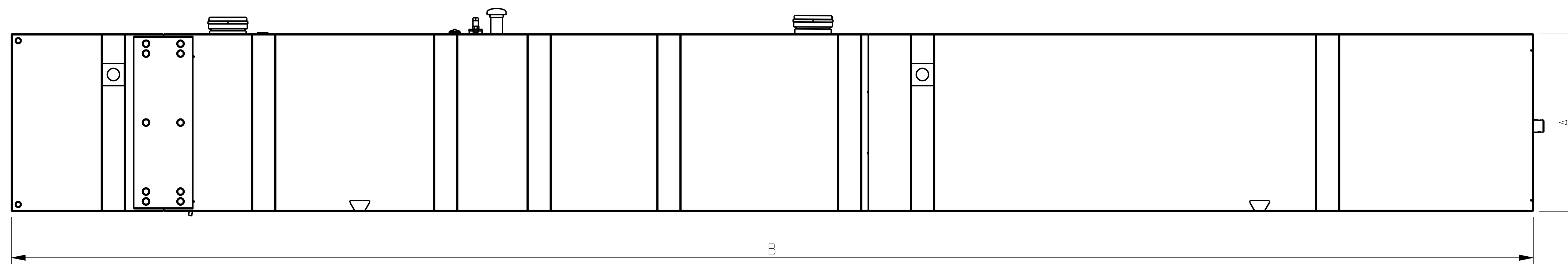
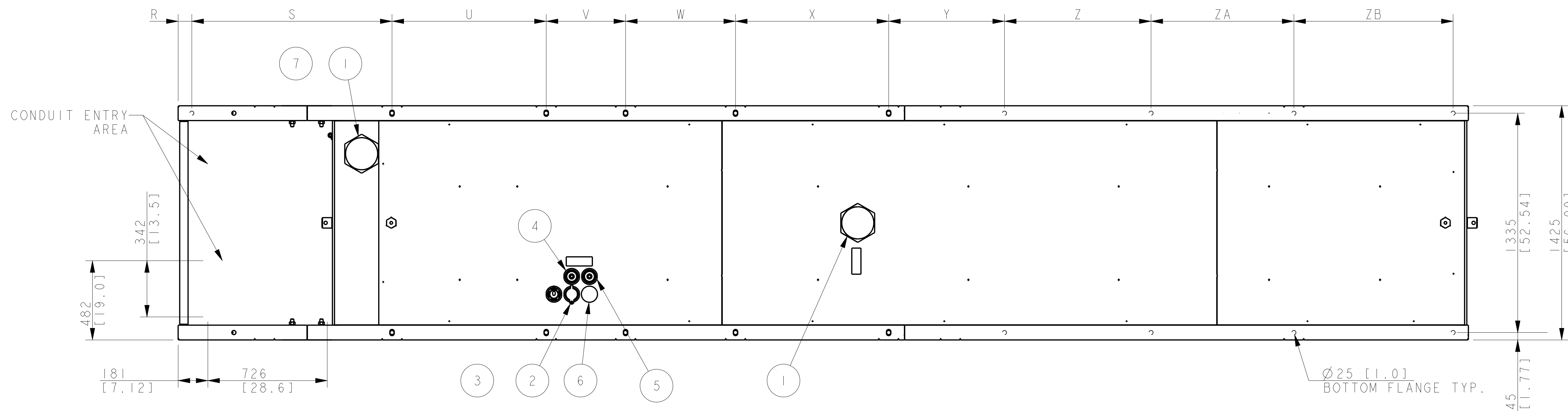


TANK W/OPEN UNIT

LITERS [GALLONS] MIN HOURS	GENSETS	WEIGHT KG [LBS]	A	B	R	S	U	V	W	X	Y	Z	ZA	ZB
1530 [404] 12 HOURS	350-400KW	1110 [2446]	406.4 [16.0]	4939.2 [194.4]	83.1 [3.27]	1217.6 [47.94]	937.9 [36.93]	482.6 [19.00]	668.6 [26.32]	931.5 [36.67]	523.9 [20.63]			
1771 [468] 12 HOURS	500KW	1158 [2554]	457.2 [18.0]											
2930 [774] 24 HOURS	350-400KW	1401 [3089]	762.0 [30.0]											
3384 [894] 24 HOURS	500KW	1484 [3271]	838.2 [33.0]	914.4 [36.0]										
4394 [1161] 36 HOURS	350-400KW	1789 [3945]	5637.2 [221.9]											
5046 [1333] 48 HOURS	350KW	1982 [4370]	6272.2 [246.9]											
5765 [1523] 48/36 HOURS	400/500KW	2228 [4911]	6983.4 [274.9]											
6674 [1763] 48 HOURS	500KW	2524 [5565]	7847.0 [308.9]											



1531 [404GAL] 12 HOUR TANK SHOWN.

ITEM	DESCRIPTION
7	SWITCH, FUEL IN BASIN
6	VENT, NORMAL
5	RETURN, FUEL (1/2" NPT)
4	SUPPLY, FUEL (1/2" NPT)
3	GAUGE, FUEL LEVEL, W/ SENDER
2	FILL CAP, 2" LOCKABLE W/PIPE RISER
1	CAP, EMERGENCY VENT

REV	DATE	ON COMPOSITE DWGS. SEE PART NO. FOR REVISION LEVEL	BY
-	10-25-12	NEW DRAWING [CT28128]	KNN
A	10-10-13	SEE SHEET 3 [CT59787]	SVP
B	2-3-17	SEE SHEET 3 [CT170345]	PAS

UNLESS OTHERWISE SPECIFIED -
 1) DIMENSIONS ARE IN MILLIMETERS
 2) TOLERANCES ARE:
 X.XX ± 0.25
 X.X ± 1.0
 X ± 1.5
 ANGLES ± 0° 30' MAX.

THIRD ANGLE PROJECTION

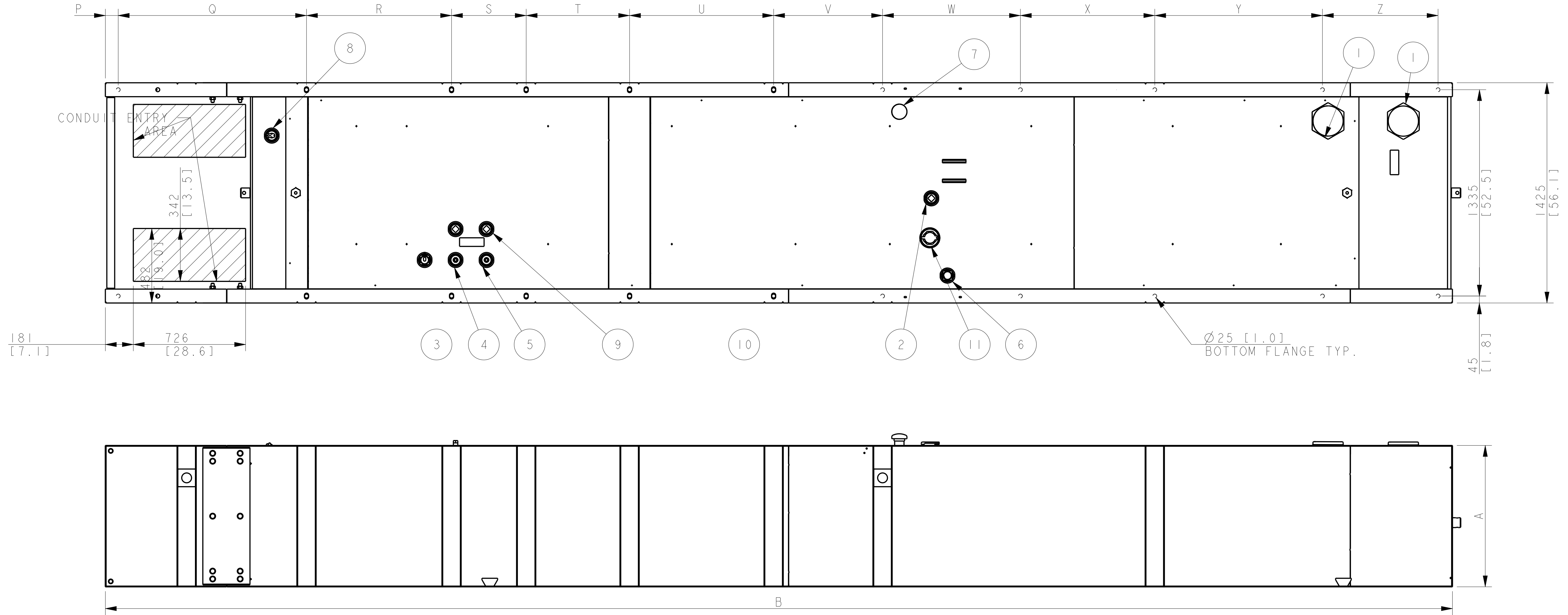
APPROVALS DATE
 DRAWN KNN 10-25-12
 CHECKED DJV 10-25-12
 APPROVED JDZ 10-25-12

KOHLER CO. METRIC PRO-E
 POWER SYSTEMS, KOHLER, WI 53044 U.S.A.
 THIS DRAWING IN DESIGN AND DETAIL IS KOHLER CO. PROPERTY AND MUST NOT BE USED EXCEPT IN CONNECTION WITH KOHLER CO. WORK. ALL RIGHTS OF DESIGN OR INVENTION ARE RESERVED.

TITLE
DIMENSION PRINT, 350-500REOZJB TANKS

SCALE 0.07 CAD NO. SHEET 1 of 3
 DWG NO. **ADV-8528**

12 - 48 HOUR
 350-500kW STD TANK
 OPEN UNIT/SL1/WEATHER



TANK W/OPEN UNIT

LITERS [GALLONS] MIN HOURS	GENSETS	WEIGHT KG [LBS]	A	B	P	Q	R	S	T	U	V	W	X	Y	Z
1530 [404] 12 HOURS STATE	350-400KW	1281 [2825]	381.0 [15.0]	5891.2 [231.9]	83.1 [3.27]	1217.6 [47.94]	937.9 [36.93]	482.6 [19.00]	668.6 [26.32]	931.5 [36.67]	664.2 [26.15]	812.7 [32.00]			
1771 [468] 12 HOURS STATE	500KW	1326 [2923]	431.8 [17.0]								772.6 [30.42]				
2930 [774] 24 HOURS STATE	350-400KW	1547 [3411]	660.4 [26.0]	914.4 [36.0]	704.3 [27.73]	891.3 [35.09]	868.9 [34.21]	1084.3 [42.69]	790.4 [31.12]	747.5 [29.43]	772.6 [30.42]				
3384 [894] 24 HOURS STATE	500KW	1630 [3594]	736.6 [29.0]								891.3 [35.09]	868.9 [34.21]	1084.3 [42.69]	790.4 [31.12]	
4394 [1161] 36 HOURS STATE	350-400KW	1874 [4072]	6069.0 [238.9]	8710.6 [342.9]	891.3 [35.09]	868.9 [34.21]	1084.3 [42.69]	790.4 [31.12]	747.5 [29.43]	747.5 [29.43]	950.4 [37.42]				
5046 [1333] 48 HOURS STATE	350KW	2094 [4616]	6831.0 [268.9]								891.3 [35.09]	868.9 [34.21]	1084.3 [42.69]	790.4 [31.12]	
5765 [1523] 48/36 HOURS STATE	400/500KW	2329 [5134]	7669.2 [301.9]	8710.6 [342.9]	891.3 [35.09]	868.9 [34.21]	1084.3 [42.69]	790.4 [31.12]	747.5 [29.43]	747.5 [29.43]	891.3 [35.09]				
6674 [1763] 48 HOURS STATE	500KW	2656 [5855]	8710.6 [342.9]								891.3 [35.09]	868.9 [34.21]	1084.3 [42.69]	747.5 [29.43]	

1531 [404 GAL.] 12 HOUR TANK SHOWN.

ITEM	DESCRIPTION
11	FILL CAP, 2" LOCKABLE W/PIPE RISER
10	PLUG, PIPE (1/2"NPTF)
9	PLUG, PIPE (2"NPT)
8	SWITCH, FUEL IN BASIN TOP MTD, 2"
7	VENT, NORMAL
6	GAUGE, FUEL LEVEL, DIRECT READ
5	RETURN, FUEL (1/2" NPT)
4	SUPPLY, FUEL (1/2" NPT)
3	GAUGE, FUEL LEVEL, W/ SENDER
2	PLUG, PIPE (2" NPT)
1	CAP, EMERGENCY VENT

12 - 48 HOUR
350-500kW STATE TANK
OPEN UNIT/SL1/WEATHER

REV	DATE	DESCRIPTION	BY
-	10-25-12	NEW DRAWING [CT28128]	KNN
A	10-10-13	SEE SHEET 3 [CT59787]	SVP
B	2-3-17	SEE SHEET 3 [CT170345]	PAS

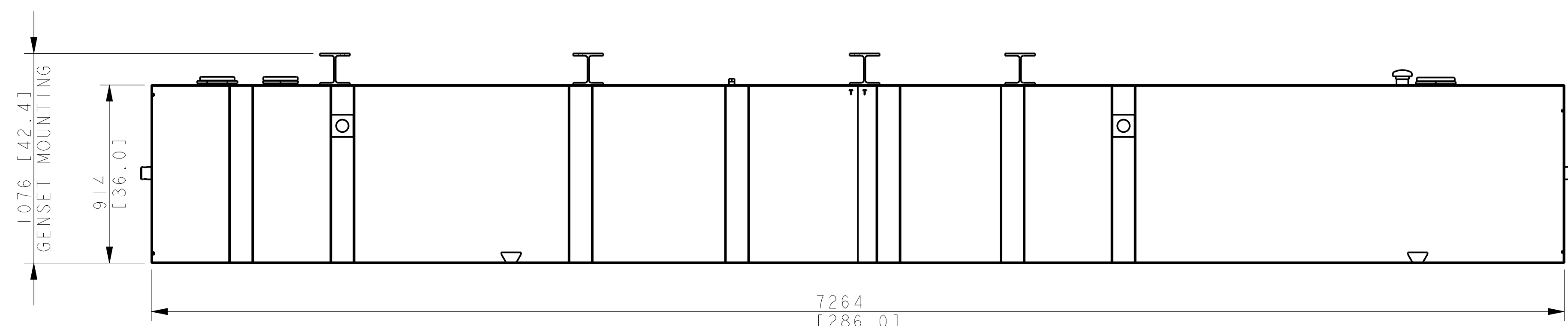
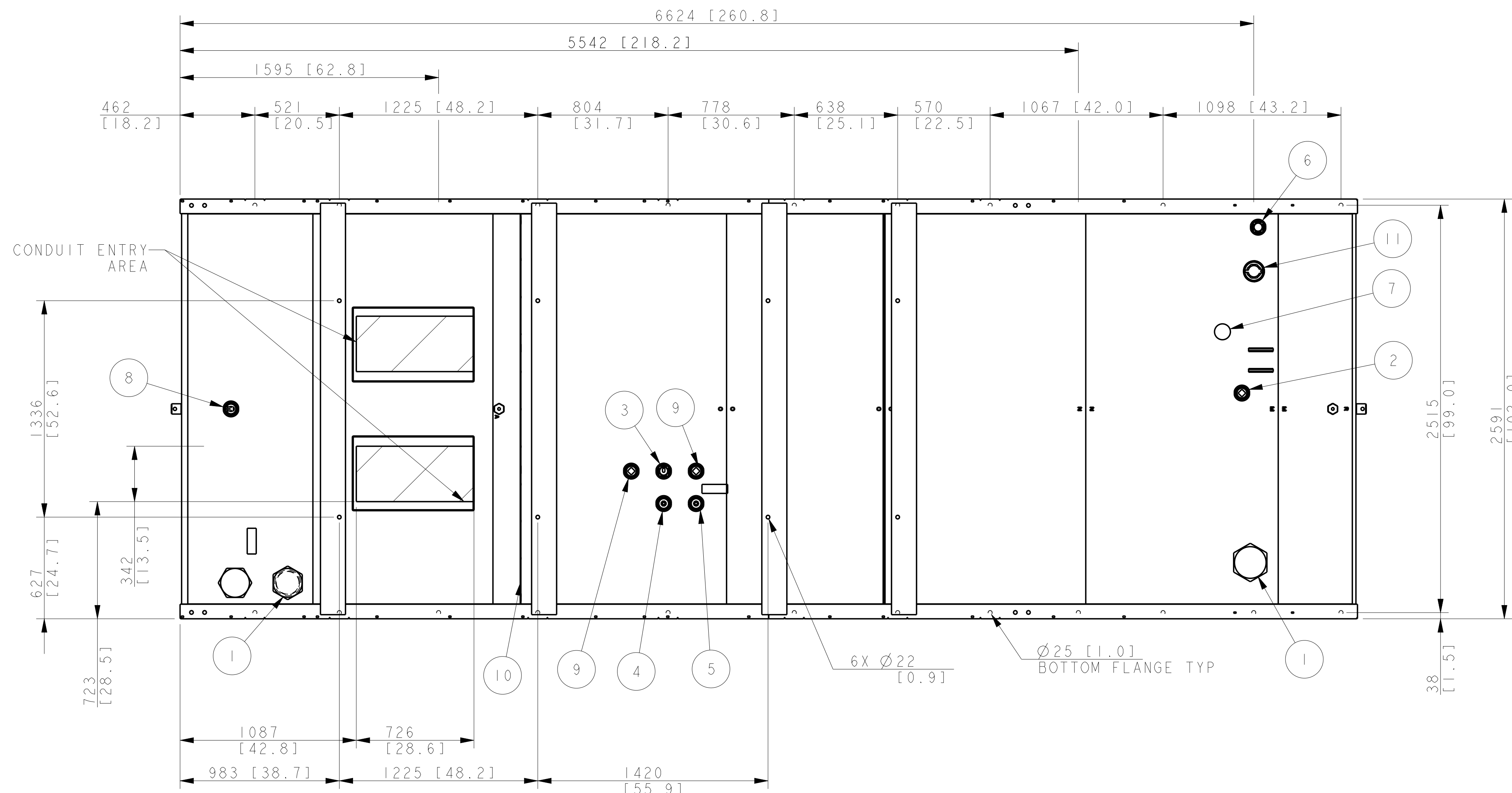
APPROVALS	DATE
DRAWN KNN	10-25-12
CHECKED DJV	10-25-12
APPROVED JDZ	10-25-12

UNLESS OTHERWISE SPECIFIED -
1) DIMENSIONS ARE IN MILLIMETERS
2) TOLERANCES ARE:
X.XX ± 0.25
X.X ± 1.0
X ± 1.5
ANGLES ± 0° 30' MAX.

KOHLER CO. METRIC PRO-E
POWER SYSTEMS, KOHLER, WI 53044 U.S.A.
THIS DRAWING IN DESIGN AND DETAIL IS KOHLER CO. PROPERTY AND MUST NOT BE USED EXCEPT IN CONNECTION WITH KOHLER CO. WORK. ALL RIGHTS OF DESIGN OR INVENTION ARE RESERVED.

TITLE
DIMENSION PRINT, 350-500REOZJB TANKS

SCALE 0.40 CAD NO. SHEET 2 of 3
DWG NO. **ADV-8528**



11	FILL CAP, 2" LOCKABLE W/PIPE RISER
10	PLUG, PIPE (1/2"NPTF)
9	PLUG, PIPE (2" NPT)
8	SWITCH, FUEL IN BASIN TOP MTD, 2"
7	VENT, NORMAL
6	GAUGE, FUEL LEVEL, DIRECT READ
5	RETURN, FUEL (1/2" NPT)
4	SUPPLY, FUEL (1/2" NPT)
3	GAUGE, FUEL LEVEL, W/ SENDER
2	PLUG, PIPE (2" NPT)
1	CAP, EMERGENCY VENT
ITEM	DESCRIPTION

TANK W/OPEN UNIT		
LITERS [GALLONS] MIN HOURS	GENSETS	WEIGHT KG [LBS]
10009 [2644] 72 HOURS STATE	350-400KW 500KW	3582 [7898]

72 HOUR
350-500kW STATE TANK
OPEN UNIT/SL1/WEATHER

REV	DATE	ON COMPOSITE DWGS. SEE PART NO. FOR REVISION LEVEL	BY	UNLESS OTHERWISE SPECIFIED - 1) DIMENSIONS ARE IN MILLIMETERS 2) TOLERANCES ARE:
-	10-25-12	NEW DRAWING [CT28128]	KNN	X.XX ± 0.25 X.X ± 1.0 X ± 1.5
A	10-10-13	(D-7) 1595 [62.8], (D-6) 5542 [218.2] & 6624 [260.8] ADDED [CT59787]	SVP	ANGLES ± 0° 30" MAX. SURFACE FINISH
B	2-3-17	VIEWS UPDATED FOR LIFTING PLATES [CT170345]	PAS	THIRD ANGLE PROJECTION
				APPROVALS DATE
				DRAWN KNN 10-25-12
				CHECKED DJV 10-25-12
				APPROVED JDZ 10-25-12

KOHLER CO. METRIC PRO-E
POWER SYSTEMS, KOHLER, WI 53044 U.S.A.
THIS DRAWING IN DESIGN AND DETAIL IS KOHLER CO. PROPERTY AND MUST NOT BE USED EXCEPT IN CONNECTION WITH KOHLER CO. WORK. ALL RIGHTS OF DESIGN OR INVENTION ARE RESERVED.

TITLE: **DIMENSION PRINT, 350-500REOZJB TANKS**

SCALE: 0.40 CAD NO. SHEET 3 of 3
DWG NO. **ADV-8528**