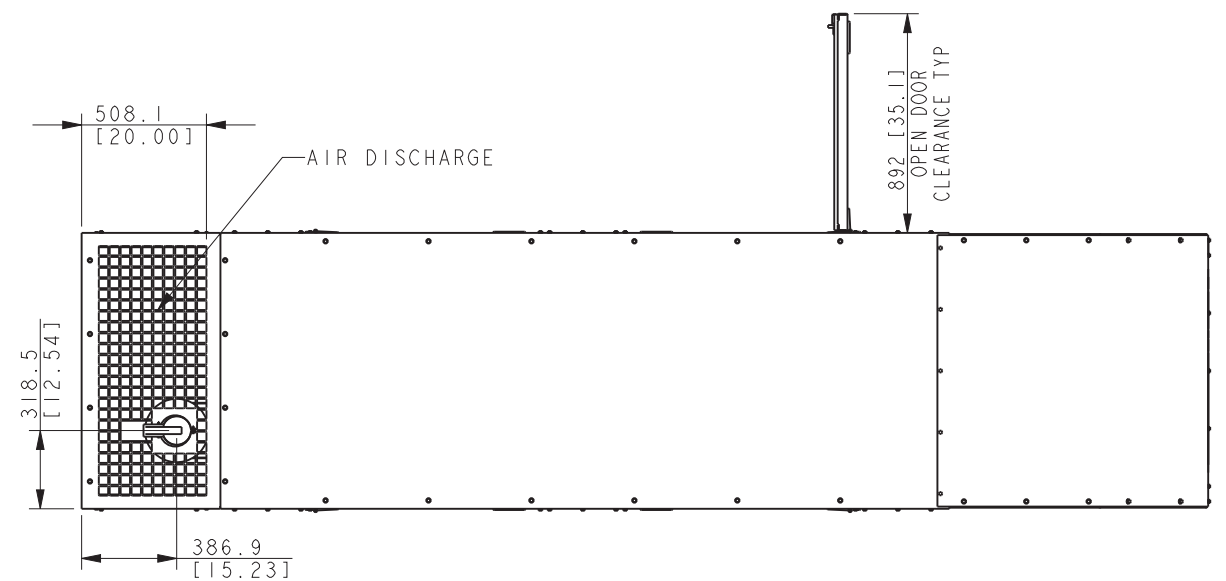
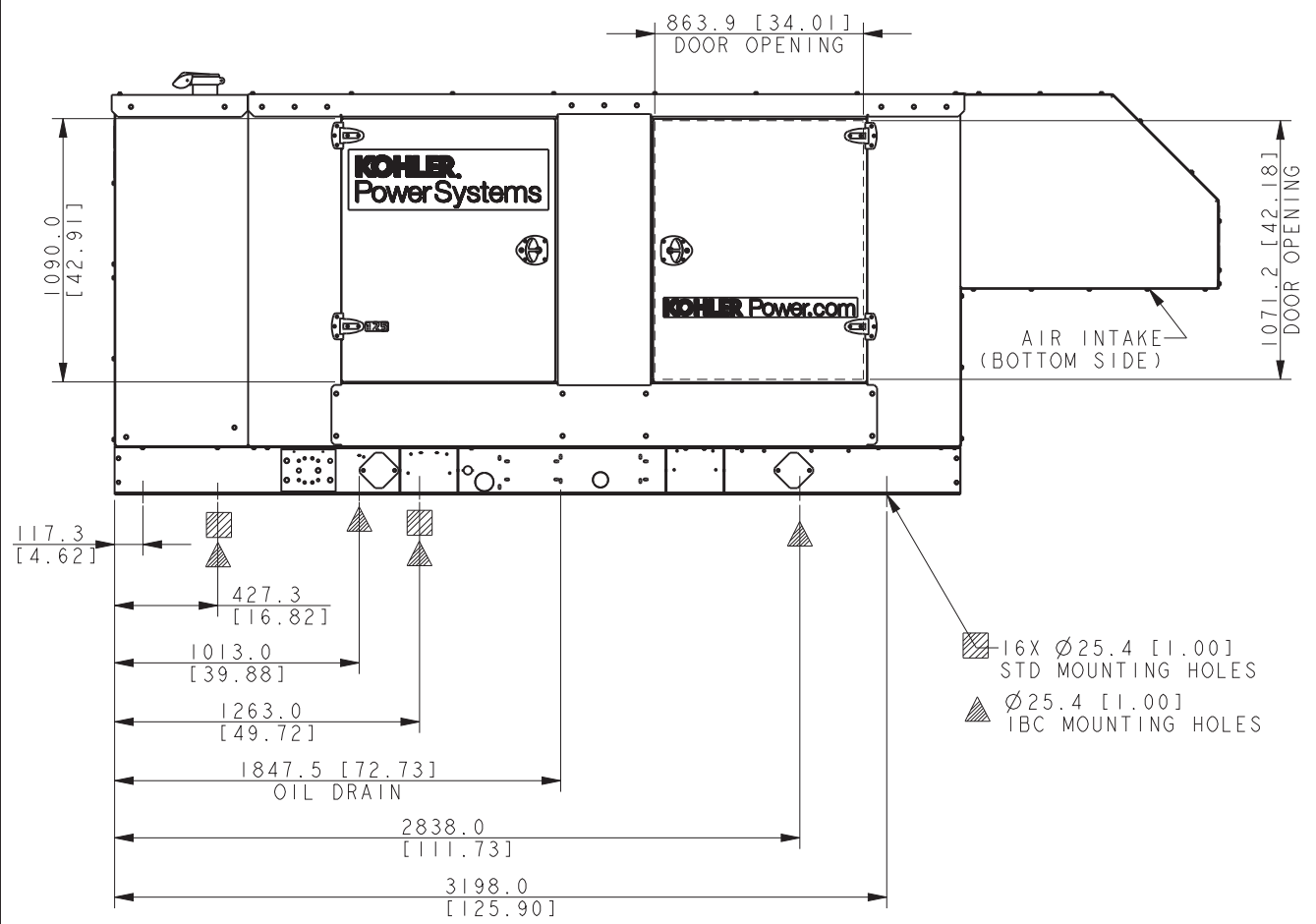


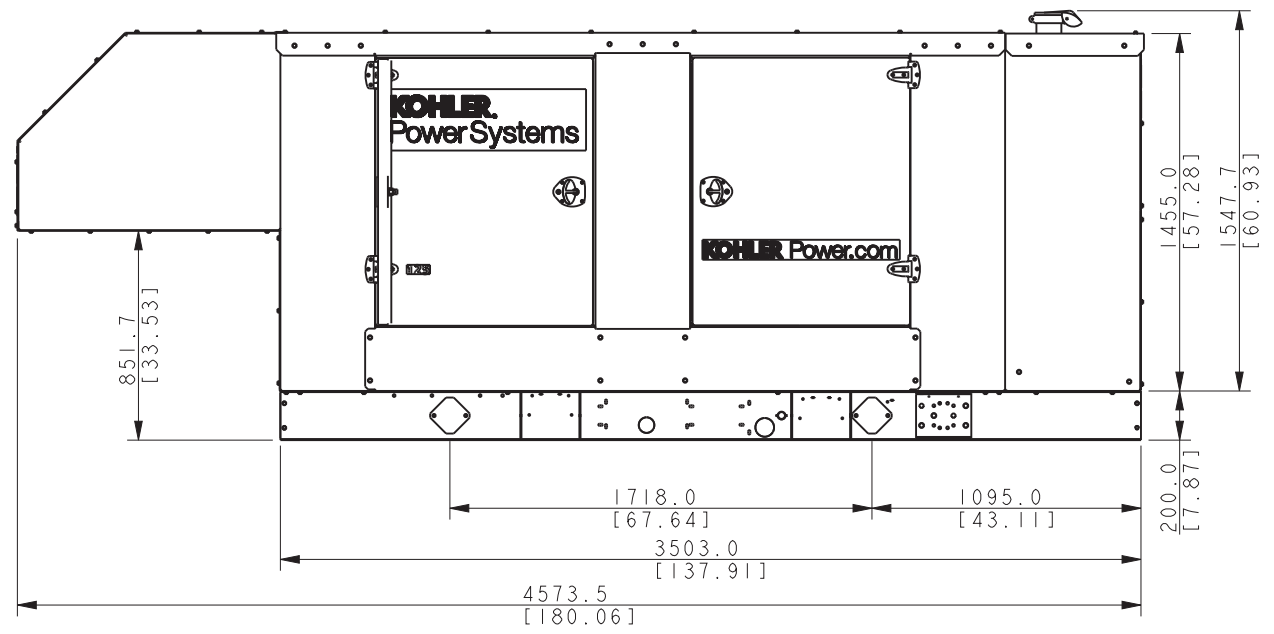
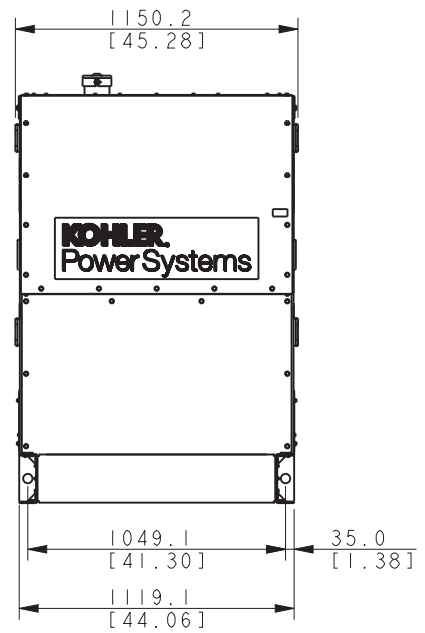
| | |
|-----------------|------------------------------|
| MODEL | ENCLOSURE WEIGHT KG [LBS] |
| ALUMINIUM SOUND | 317 [700] |



- NOTES:
1. TANK (IF ORDERD) MOUNTS BELOW SKID.
 2. TANK MAY EXTEND BEYOND ENCLOSURE (DISCHARGE END ONLY)



- ▨ 16X Ø25.4 [1.00] STD MOUNTING HOLES
- ▲ Ø25.4 [1.00] IBC MOUNTING HOLES



125 MODEL 4S11, 4S13, 4R12X, 4R13X, 4T13X
 150 MODEL 4S13, 4S15, 4R13X, 4T13X, 4S12X, 4S13X
 RECONNECTABLE
 IMPROVE MOTOR STARTING (IMS) RECONNECTABLE
 600V & 1 PHASE ALTERNATORS
 4045HF285 & 6068HF285 JOHN DEERE TIER III

| | | | | | |
|-----|----------|--|-----|--|--|
| REV | DATE | ON COMPOSITE DWGS. SEE PART NO. FOR REVISION LEVEL | BY | UNLESS OTHERWISE SPECIFIED - 1) DIMENSIONS ARE IN MILLIMETERS 2) TOLERANCES ARE: | KOHLER CO. METRIC PRO-E POWER SYSTEMS, KOHLER, WI 53044 U.S.A. THIS DRAWING IN DESIGN AND DETAIL IS KOHLER CO. PROPERTY AND MUST NOT BE USED EXCEPT IN CONNECTION WITH KOHLER CO. WORK. ALL RIGHTS OF DESIGN OR INVENTION ARE RESERVED. |
| - | 12-23-14 | NEW DRAWING [CT88261] | PKK | X.XX ± 0.25 | |
| A | 04-14-15 | [C-4] NOTE DELETED [CT110687] | KBS | X.X ± 1.0 | SURFACE FINISH ANGLES ± 0° 30' MAX. |
| | | | | X ± 1.5 | |
| | | | | THIRD ANGLE PROJECTION | TITLE DIMENSION PRINT SCALE 0.07 CAD NO. SHEET 1 of 1 DWG NO. ADV-8763 |
| | | | | APPROVALS | |
| | | | | DATE | |
| | | | | 12-23-14 | |
| | | | | CHECKED CCL 12-23-14 | |
| | | | | APPROVED DA 12-23-14 | |