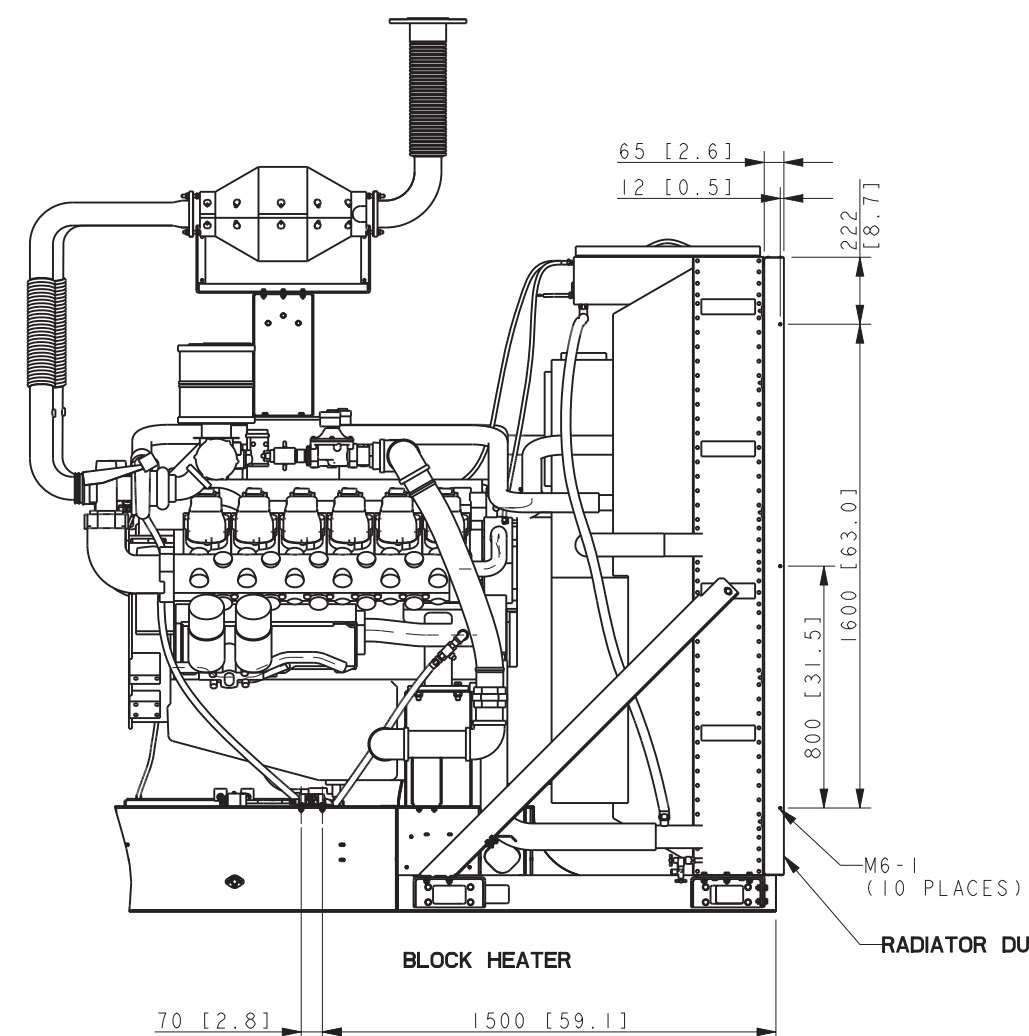
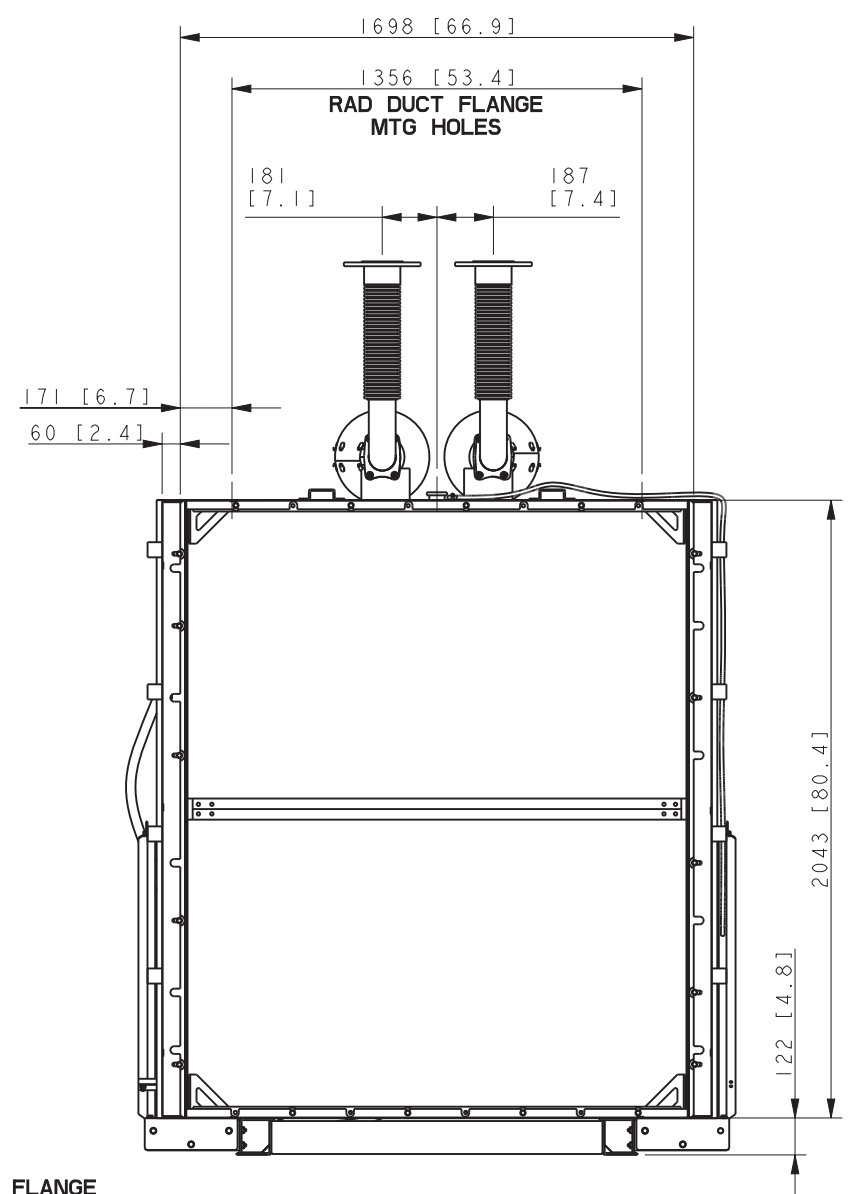
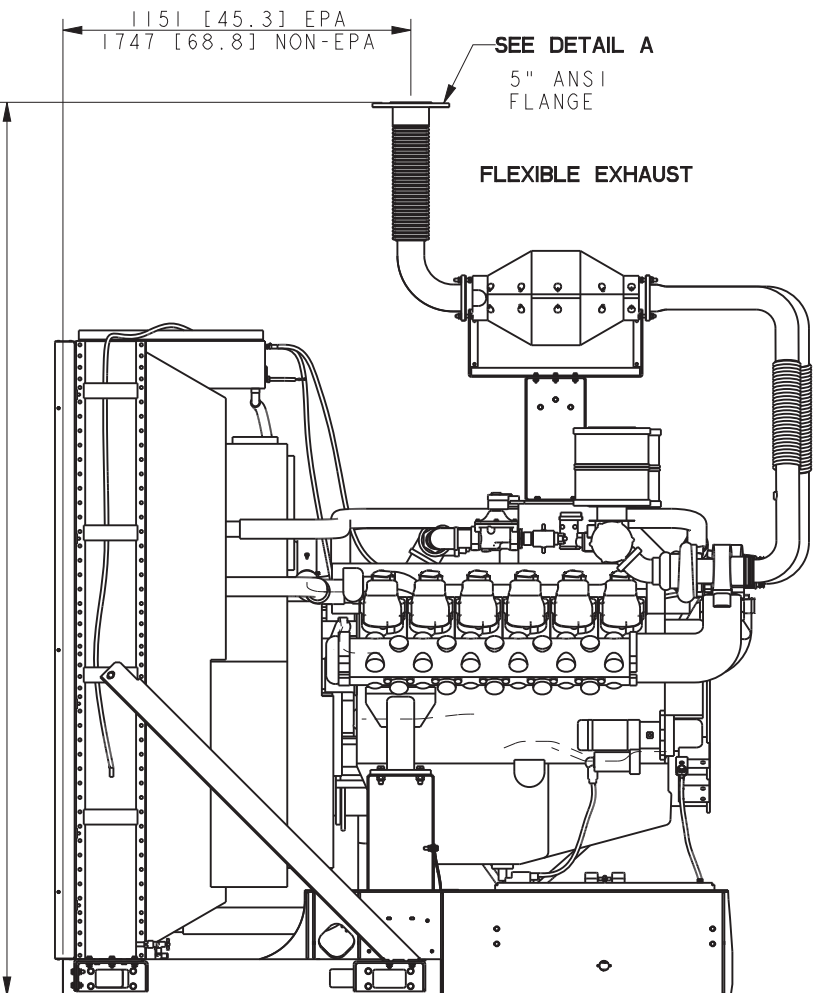


DETAIL A



NOTES:
DIMENSIONS IN [] ARE INCH EQUIVALENTS.

REV	DATE	ON COMPOSITE DWGS, SEE PART NO. FOR REVISION LEVEL	BY	DO NOT SCALE, REFERENCE THE MODEL FOR ALL UNSPECIFIED DIMENSIONS
-	4-21-09	NEW DRAWING [88272-6]	DJG	UNLESS OTHERWISE SPECIFIED: ALL DIMENSIONS IN MILLIMETERS GENERAL TOLERANCES: XX ± 0.25 SURFACE FINISH X ± 1.0 X ± 1.5 MAX. ANGLES ± 0°30' THIRD ANGLE PROJECTION
A	11-19-18	(A-4) 400 & 450 WAS 400; (A-1) DRAWING DESCRIPTION UPDATED [CT191432]	SLR	
B	2-11-19	(C-1,2) 5" ANSI FLANGE WAS 4" NPT (MALE); (D-1,2) DETAIL VIEW A ADDED [CT193325]	DS	
APPROVALS DATE DRAWN DJG 4-21-09 CHECKED CWF 4-21-09 APPROVED JAS 4-21-09				TITLE DIMENSION PRINT, 400 & 450 REZX SCALE 0.40 CAD NO. SHEET 1 of 1 DWG NO. ADV-7701

400 & 450 MODEL
RECONNECTABLE
380V, 600V ALT
22 LITER DOOSAN, EPA & NON-EPA