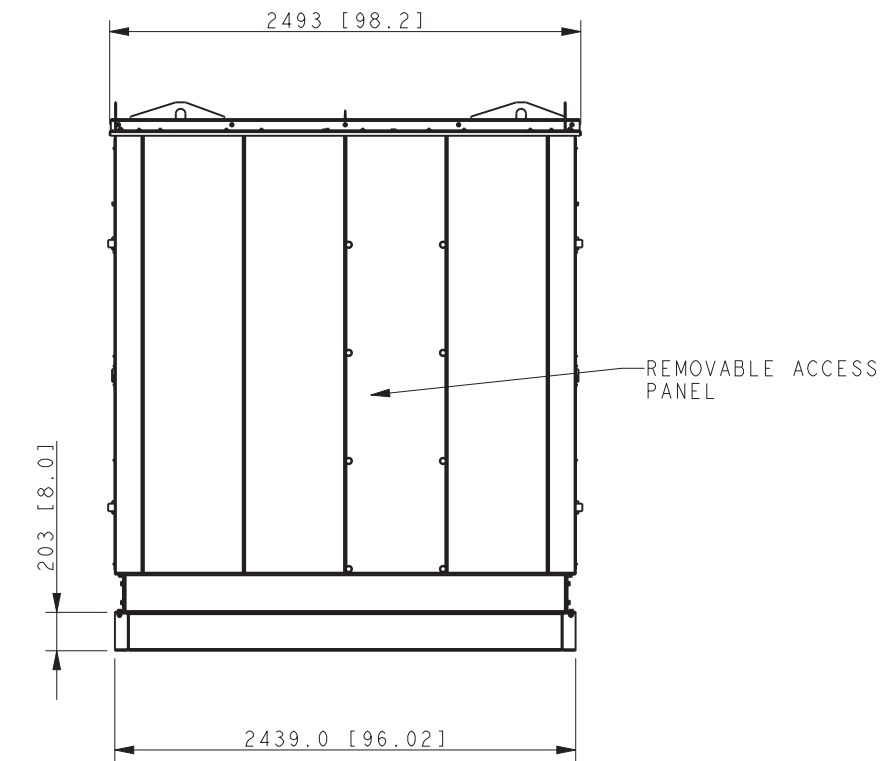
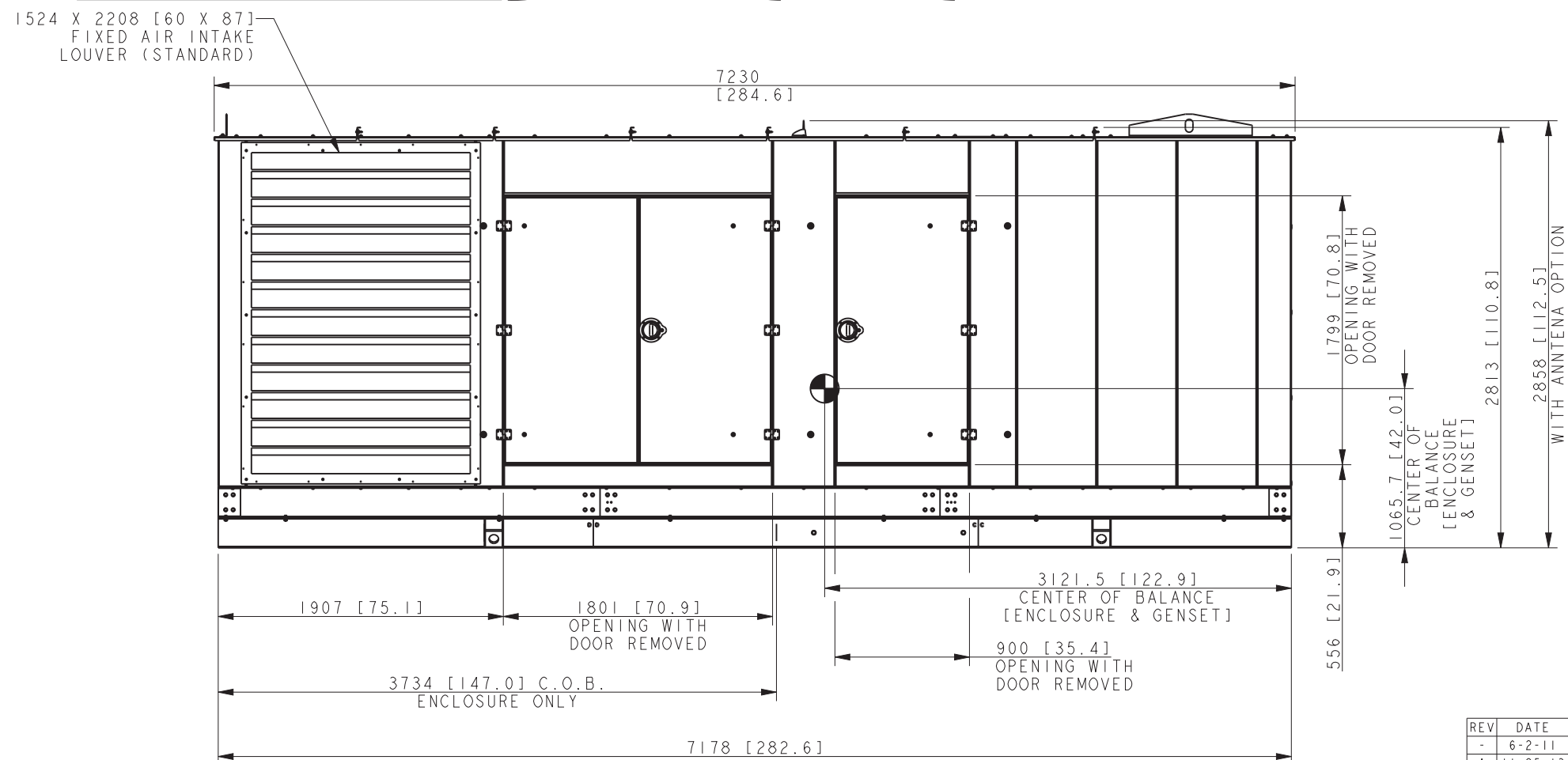
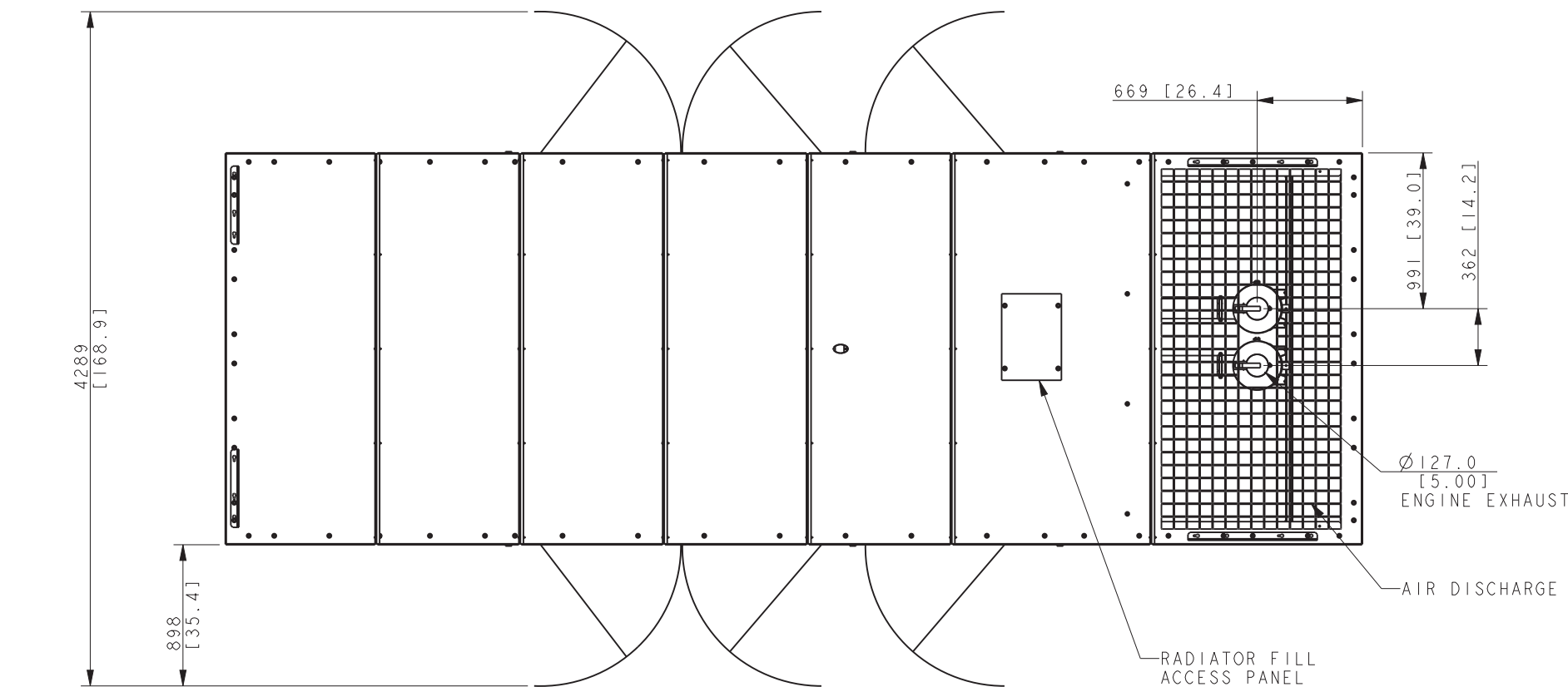


MODEL	ENCLOSURE WEIGHT	
	400RZXB / 400REZXB / 450RZXB / 450REZXB	STEEL WEATHER
	STEEL SOUND	2555 Kg [5620 LBS]
	ALUMINUM SOUND	1873 Kg (4120 LBS)



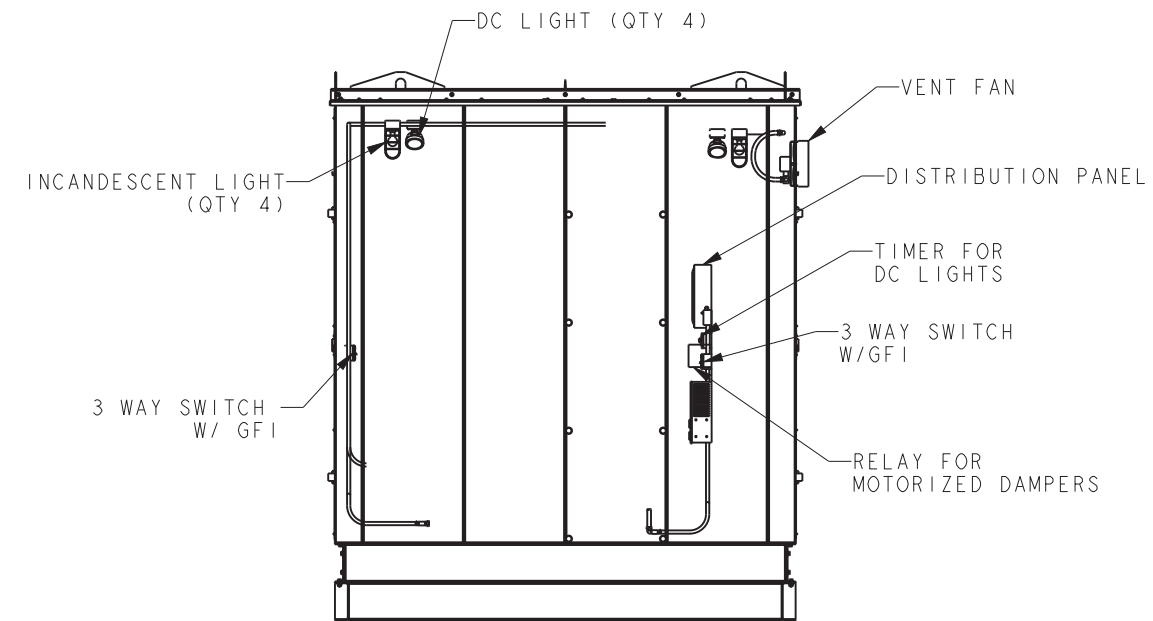
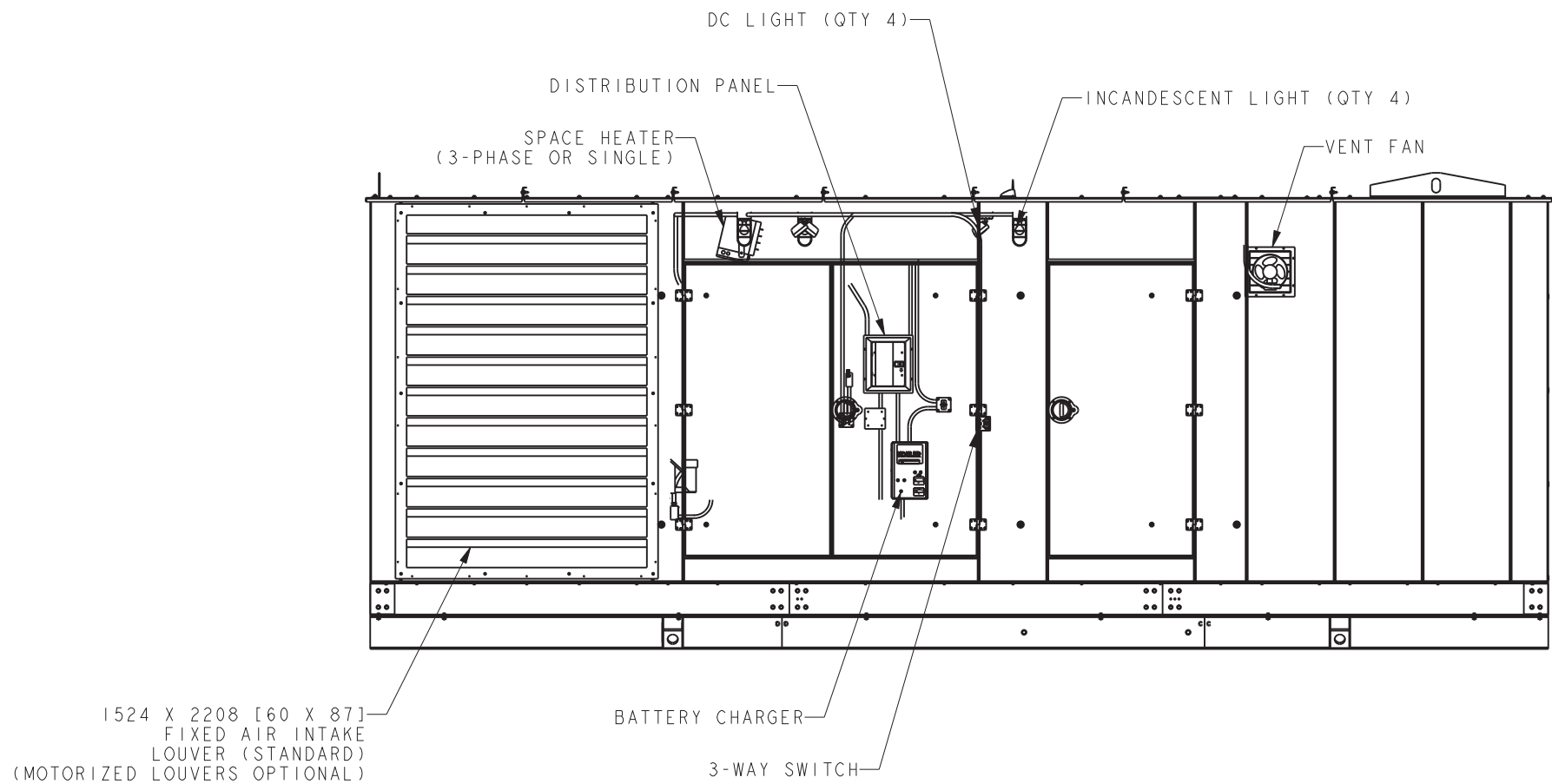
REV	DATE	ON COMPOSITE DWGS. SEE PART NO. FOR REVISION LEVEL	BY
-	6-2-11	NEW DRAWING [90394]	GFR
A	11-25-13	SEE SHEET 3 [CT64662]	SAM
B	9-27-17	(C-4) DIM. Ø127.0 [5.00] ADDED [CT177004]	SRM
C	11-19-18	(A-4) 400 & 450 kW WAS 400 kW; (D-2) 450RZXB & 450 REZXB MODEL ADDED; (B-6) LOCATION OF CENTER OF GRAVITY ADDED; (A-7) ENCLOSURE ONLY ADDED; SEE SHEET 2 & 3 [CT191432]	SLR

KOHLER CO. METRIC PRO-E
 POWER SYSTEMS, KOHLER, WI 53044 U.S.A.
 THIS DRAWING IN DESIGN AND DETAIL IS KOHLER CO. PROPERTY AND MUST NOT BE USED EXCEPT IN CONNECTION WITH KOHLER CO. WORK. ALL RIGHTS OF DESIGN OR INVENTION ARE RESERVED.

TITLE DIMENSION PRINT, 400 & 450 REZXB/RZXB

SCALE 0.05 CAD NO. SHEET 1 of 3
 DWG NO. **ADV-8163** D

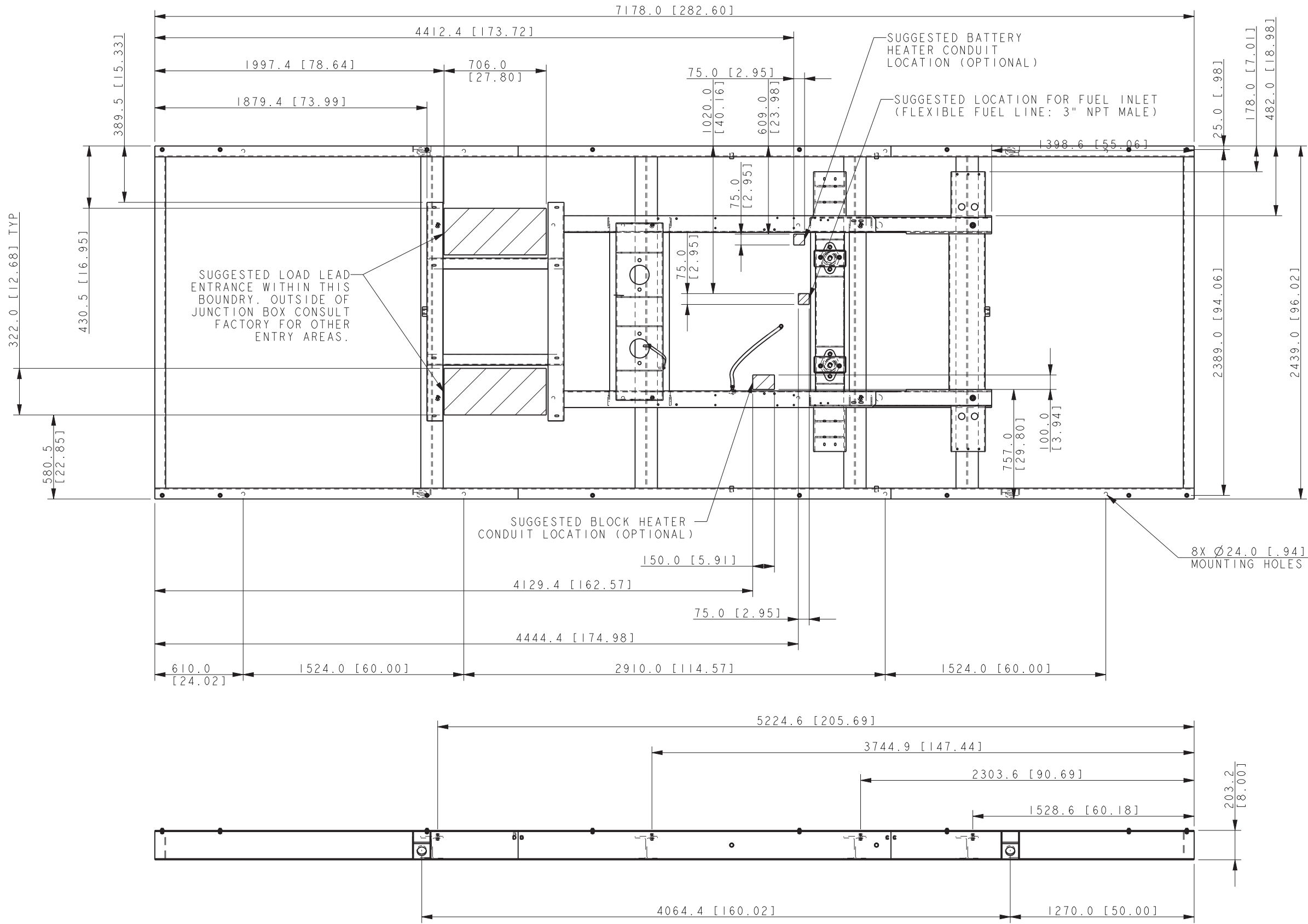
400 & 450 kW DOOSAN ENCLOSURE WITH LIFTING BASE



400 & 450 kW DOOSAN ENCLOSURE ELECTRICAL OPTIONS

REV	DATE	ON COMPOSITE DWGS. SEE PART NO. FOR REVISION LEVEL	BY	UNLESS OTHERWISE SPECIFIED - 1) DIMENSIONS ARE IN MILLIMETERS 2) TOLERANCES ARE:	APPROVALS	DATE
-	6-2-11	NEW DRAWING [90394]	GFR	X.XX ± 0.25		
A	11-25-13	SEE SHEET 3 [CT64662]	SAM	X.X ± 1.0		
B	9-27-17	SEE SHEET 1 [CT177004]	SRM	X ± 1.5		
C	11-19-18	[A-4] 400 & 450 kW WAS 400 kW; SEE SHEET 1 & 3 [CT191432]	SLR	ANGLES ± 0° 30" MAX.		
				THIRD ANGLE PROJECTION		
					APPROVED	DATE
					DRAWN	DATE
					CHECKED	DATE
					APPROVED	DATE

KOHLER CO. METRIC PRO-E	
POWER SYSTEMS, KOHLER, WI 53044 U.S.A.	
THIS DRAWING IN DESIGN AND DETAIL IS KOHLER CO. PROPERTY AND MUST NOT BE USED EXCEPT IN CONNECTION WITH KOHLER CO. WORK. ALL RIGHTS OF DESIGN OR INVENTION ARE RESERVED.	
TITLE DIMENSION PRINT, 400 & 450 REZXB/RZXB	
SCALE 0.05	CAD NO.
DWG NO.	SHEET 2 of 3
ADV-8163	D



400 & 450 kW DOOSAN ENCLOSURE
ELECTRICAL OPTIONS

REV	DATE	ON COMPOSITE DWGS. SEE PART NO. FOR REVISION LEVEL	BY	UNLESS OTHERWISE SPECIFIED - 1) DIMENSIONS ARE IN MILLIMETERS 2) TOLERANCES ARE:
-	6-2-11	NEW DRAWING [90394]	GFR	X.XX ± 0.25
A	11-25-13	(C-3) DIM'S TO HOLES ADDED [CT64662]	SAM	X.X ± 1.0
B	9-27-17	SEE SHEET 1 [CT177004]	SRM	X ± 1.5
C	11-19-18	(C-3) 400 KW DOOSAN GENERATOR NOTE REMOVED; SEE SHEET 1 & 2 [CT191432]	SLR	ANGLES ± 0° 30' MAX.

APPROVALS	DATE
DRAWN GFR	6-2-11
CHECKED JMS	6-2-11
APPROVED AJD	6-2-11

KOHLER CO. METRIC PRO-E
POWER SYSTEMS, KOHLER, WI 53044 U.S.A.
THIS DRAWING IN DESIGN AND DETAIL IS KOHLER CO. PROPERTY AND MUST NOT BE USED EXCEPT IN CONNECTION WITH KOHLER CO. WORK. ALL RIGHTS OF DESIGN OR INVENTION ARE RESERVED.

TITLE **DIMENSION PRINT, 400 & 450 REZXB/RZXB**

SCALE 0.07 CAD NO. SHEET 3 of 3

DWG NO. **ADV-8163**

D