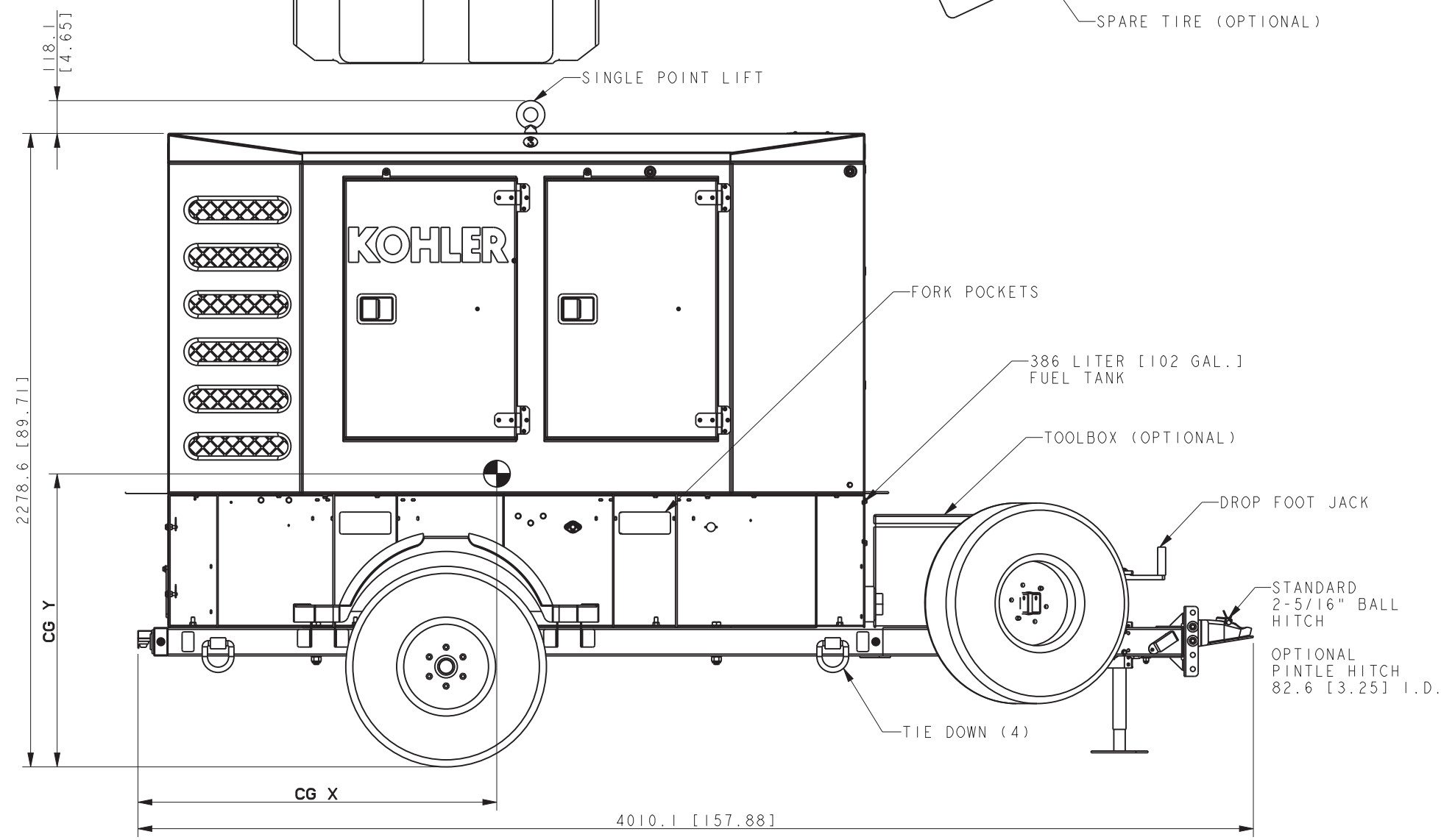
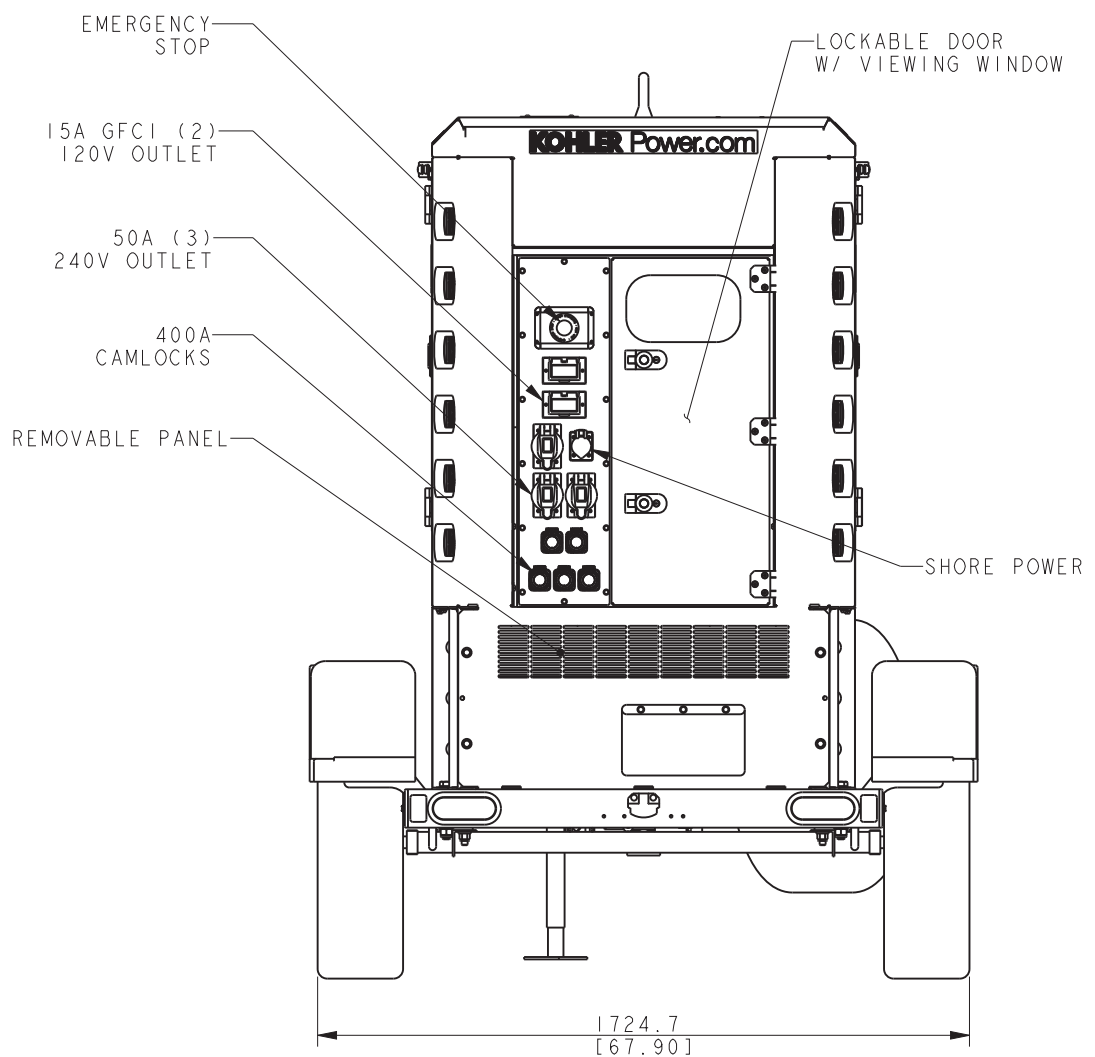
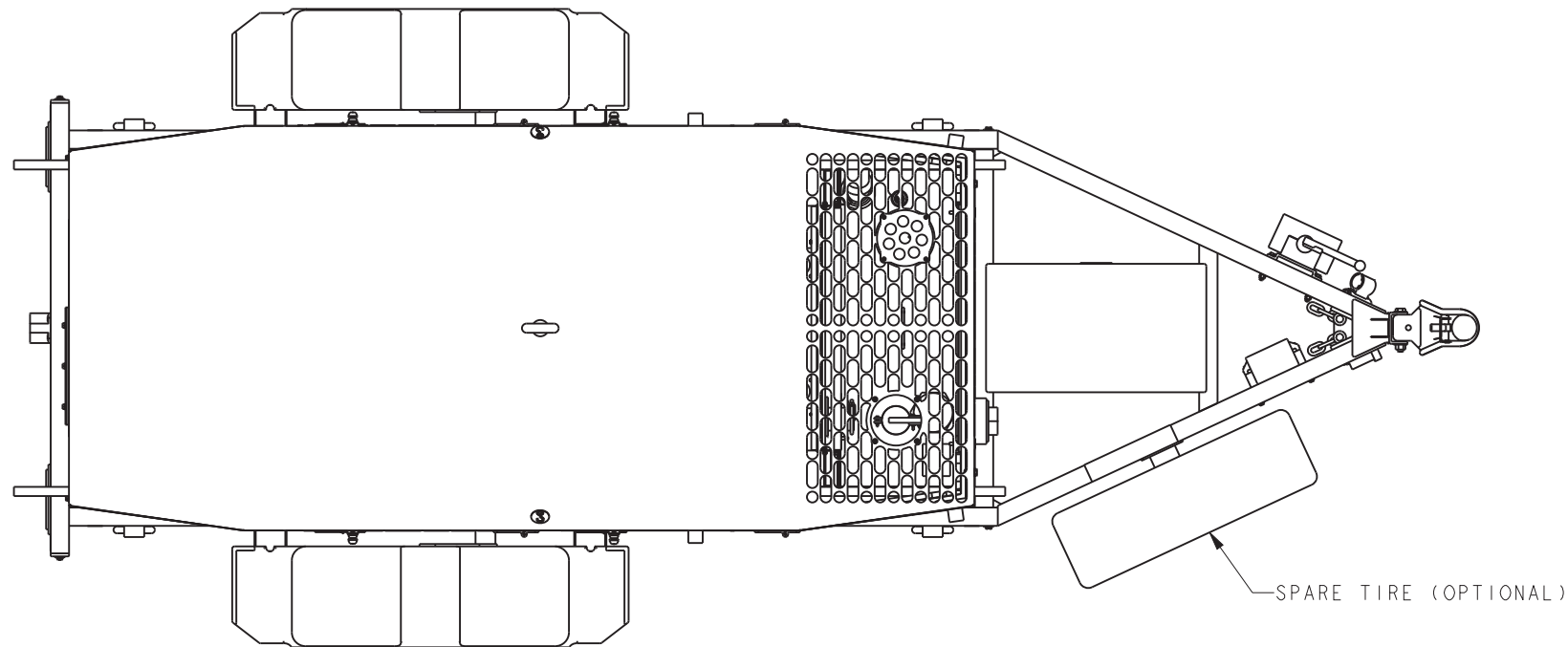


CENTER OF GRAVITY DIMENSIONS			WEIGHT DRY KG [LBS]	WEIGHT WET KG [LBS]
MODEL	CG X	CG Y		
55REOZT4	1290.0 [50.79]	1054.0 [41.50]	2214 [4881]	2241 [4941]

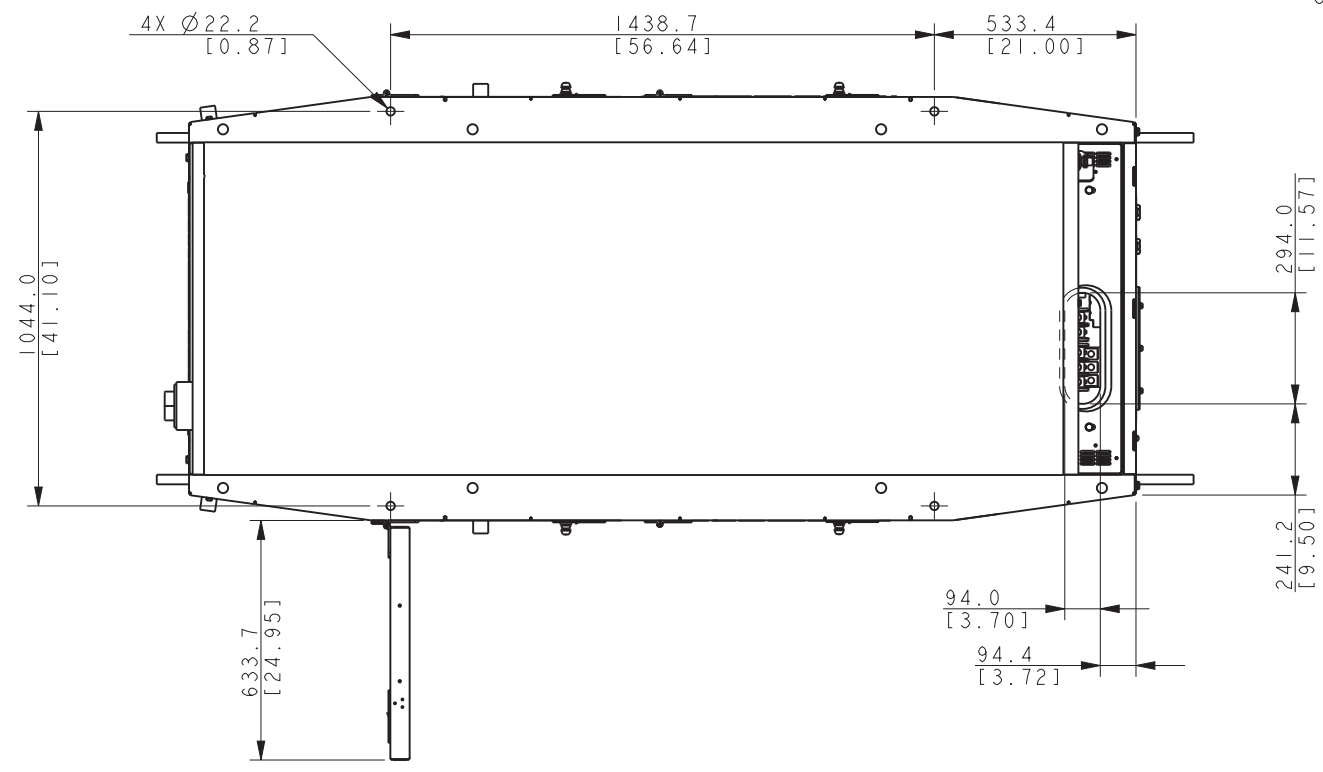
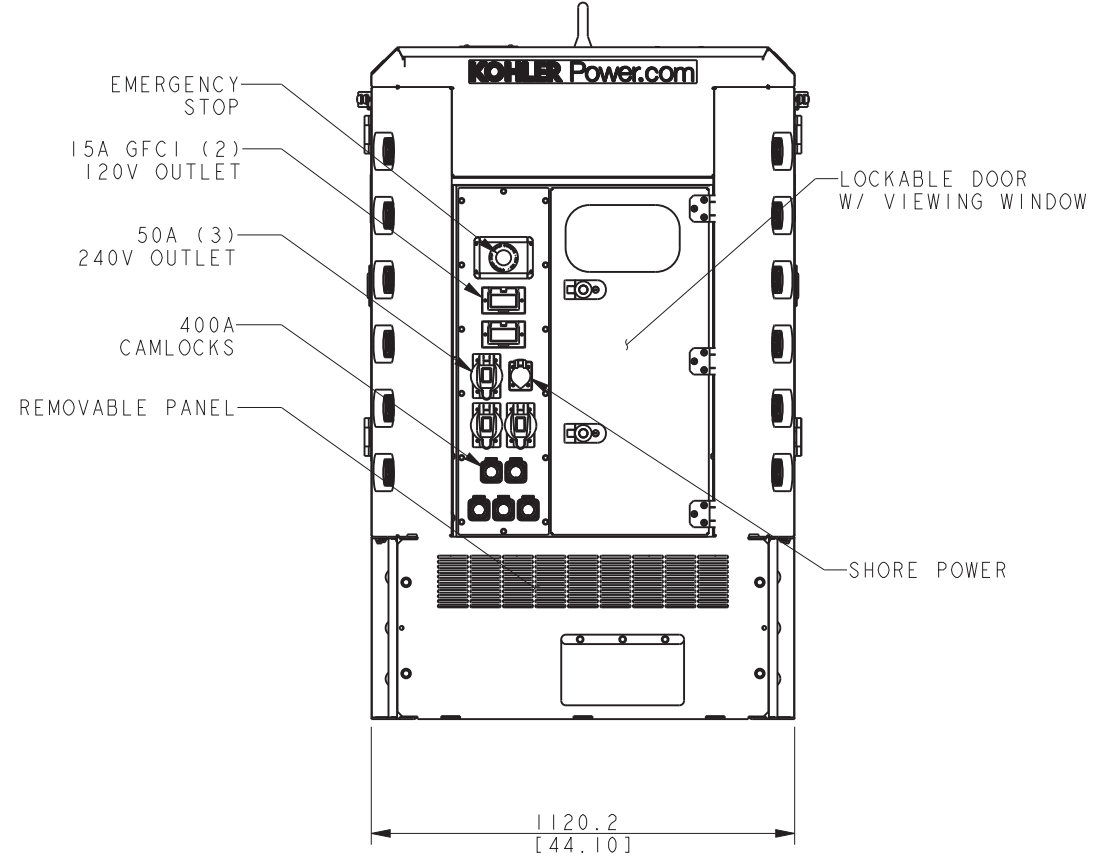
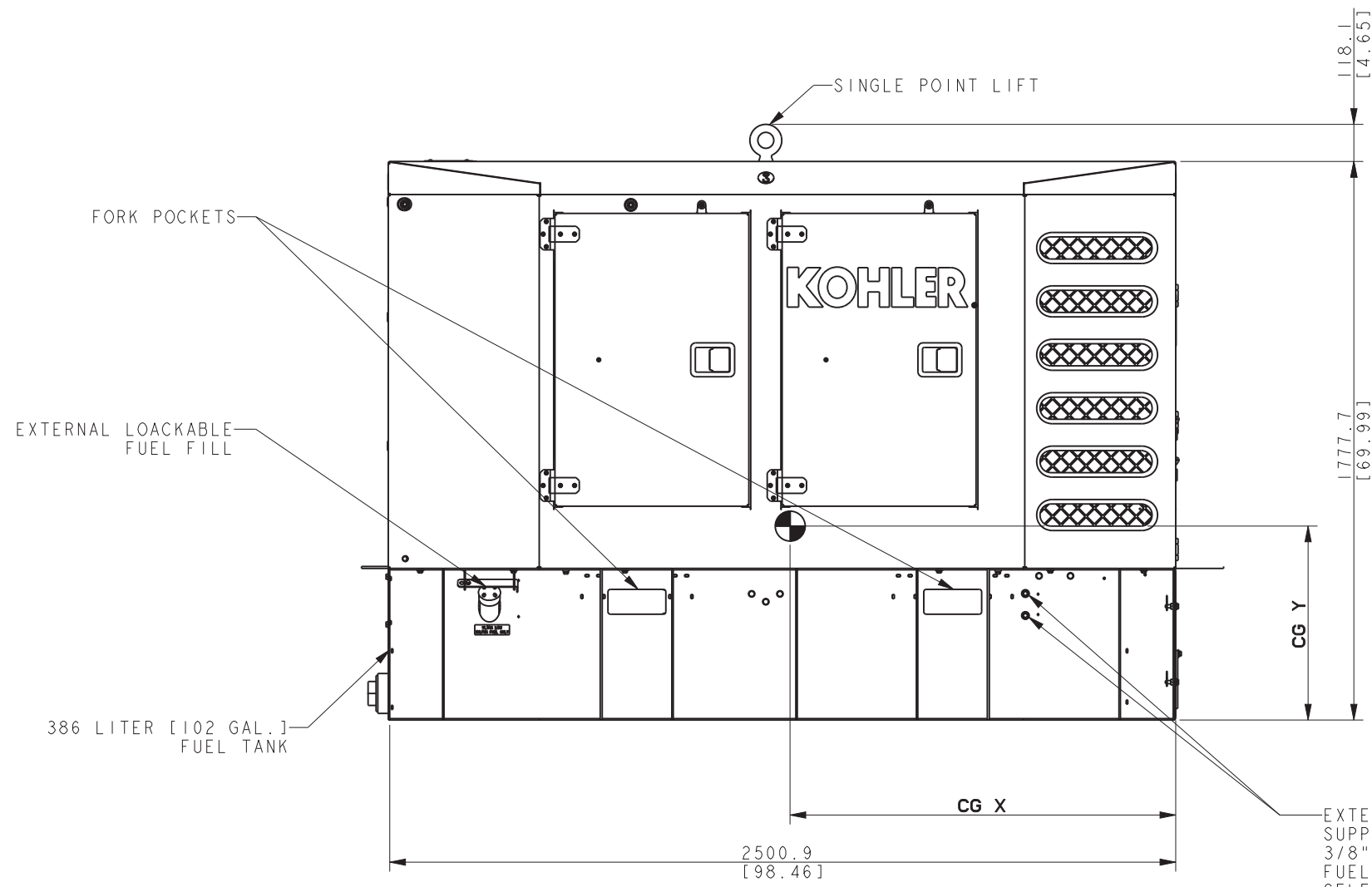


DIMENSIONS IN [] ARE IMPERIAL EQUIVALENTS
WET WEIGHT INCLUDES ENGINE FLUIDS, EXCLUDING FUEL WEIGHT.
WEIGHTS LISTED DO NOT INCLUDE OPTIONAL TOOL BOX AND SPARE TIRE KITS.

STANDARD TOWABLE
55REOZT4

REV	DATE	ON COMPOSITE DWGS, SEE PART NO. FOR REVISION LEVEL	BY	DO NOT SCALE. REFERENCE THE MODEL FOR ALL UNSPECIFIED DIMENSIONS
-	04OCT2019	NEW DRAWING [CT198480]	CCL	UNLESS OTHERWISE SPECIFIED: ALL DIMENSIONS IN MILLIMETERS GENERAL TOLERANCES: X.XX ± 0.25 X.X ± 1.0 SURFACE FINISH X ± 1.5 MAX. ANGLES ± 0°30"
				KOHLER KOHLER, WISCONSIN 53044 THIS DRAWING IN DESIGN AND DETAIL IS KOHLER CO. PROPERTY AND MUST NOT BE USED EXCEPT IN CONNECTION WITH KOHLER CO. WORK. ALL RIGHTS OF DESIGN OR INVENTION ARE RESERVED.
				TITLE DIMENSION PRINT, 55REOZT4
				APPROVALS DATE DRAWN CCL 04OCT2019 CHECKED GFR 04OCT2019 APPROVED AJW 04OCT2019
				SCALE 0.10 CAD NO. SHEET 1 of 3 DWG NO. ADV-9174

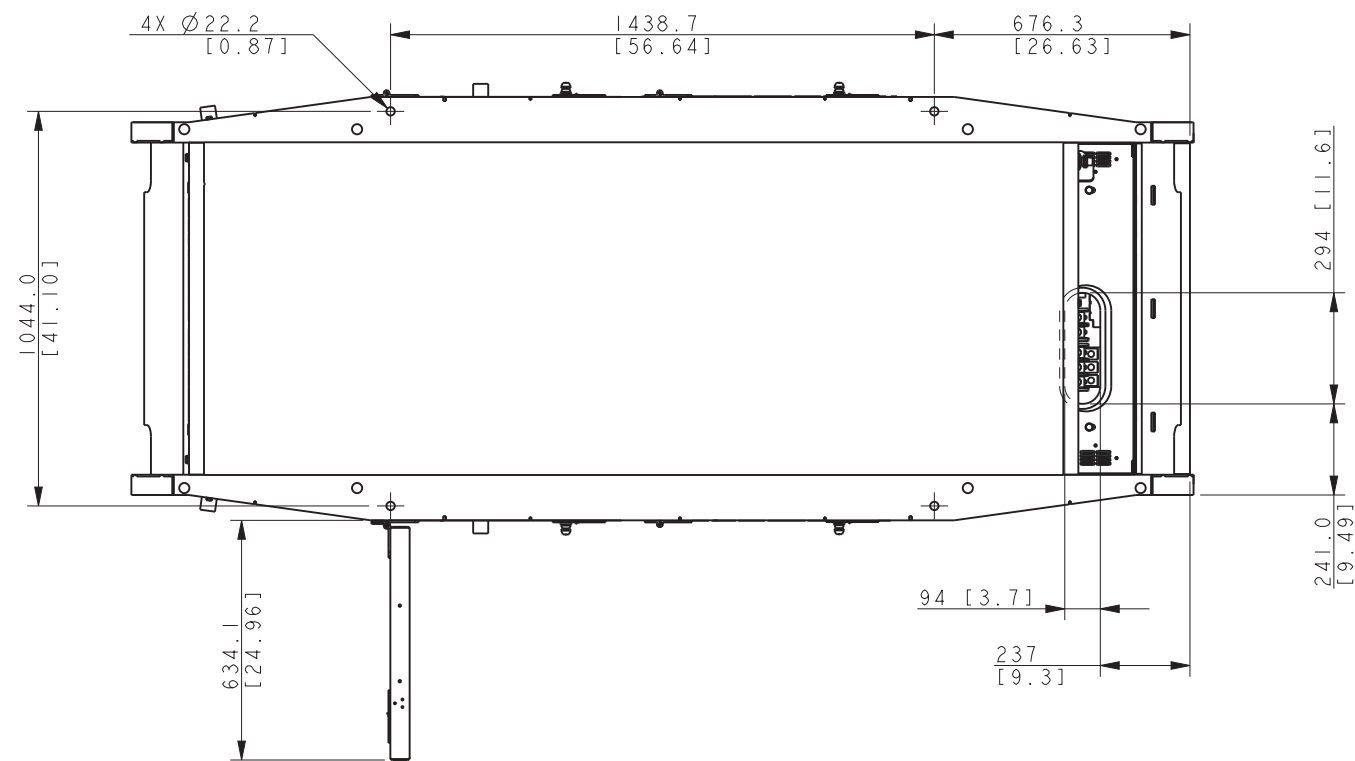
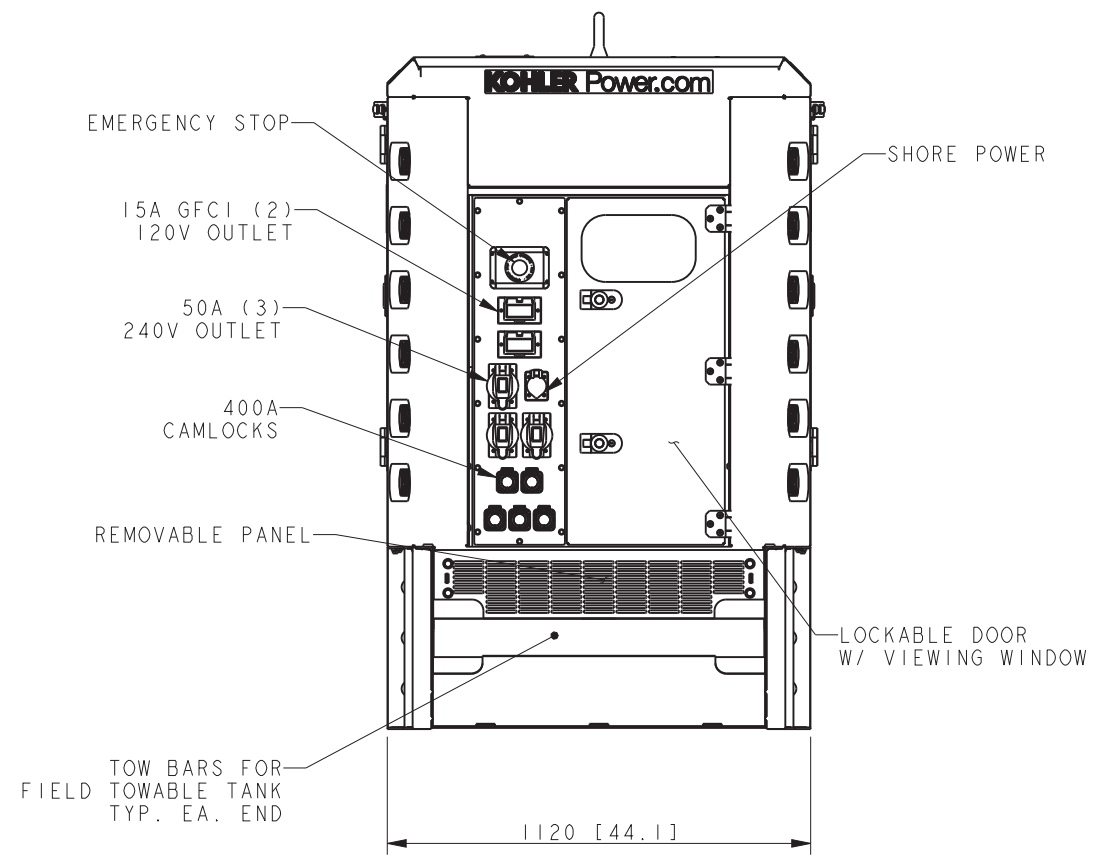
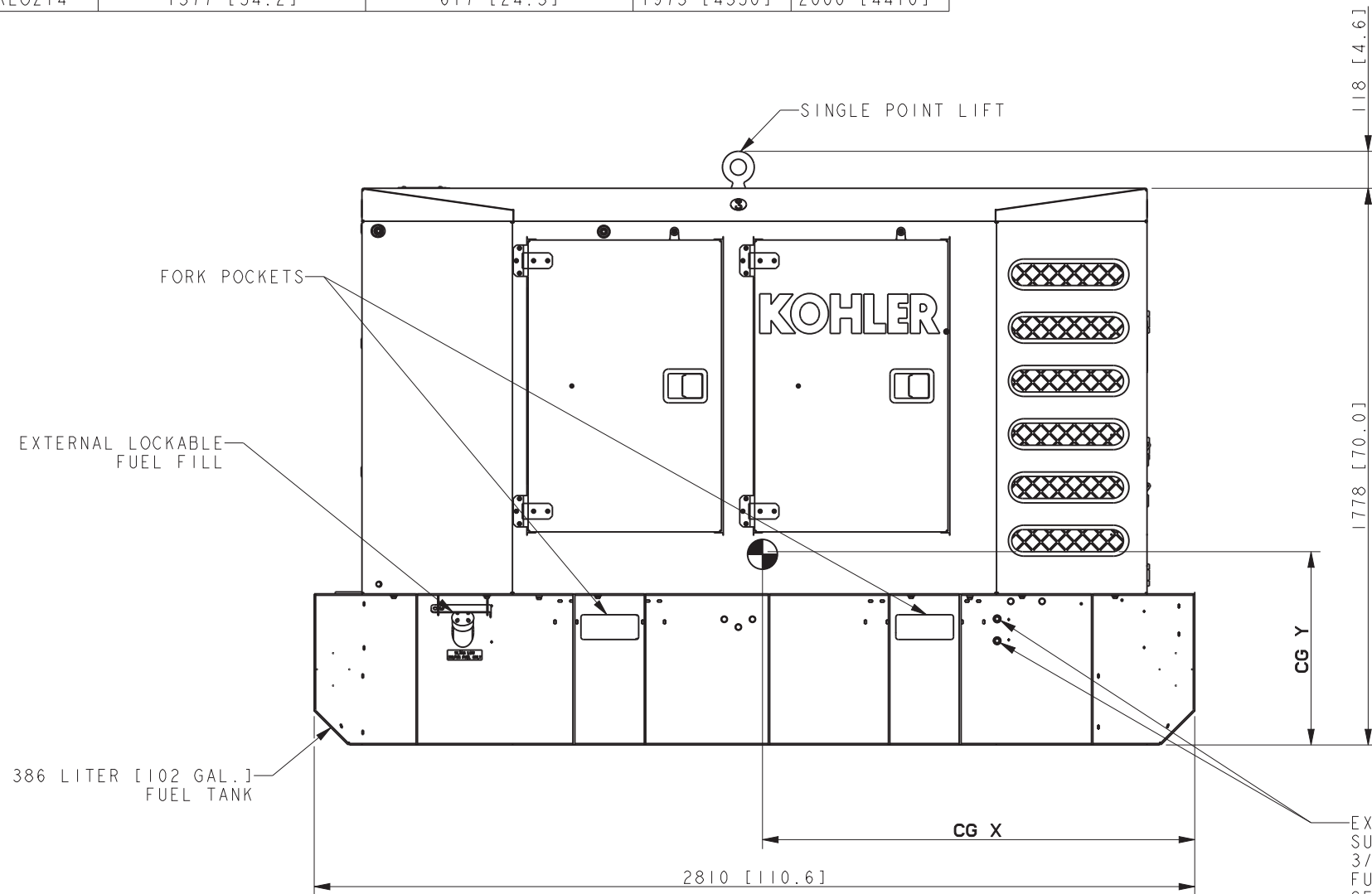
CENTER OF GRAVITY DIMENSIONS			WEIGHT DRY KG [LBS]	WEIGHT WET KG [LBS]
MODEL	CG X	CG Y		
55REOZT4	1225 [48.2]	617 [24.3]	1961 [4324]	1989 [4384]



STANDARD
55REOZT4

REV	DATE	ON COMPOSITE DWGS, SEE PART NO. FOR REVISION LEVEL	BY	DO NOT SCALE, REFERENCE THE MODEL FOR ALL UNSPECIFIED DIMENSIONS
-	04OCT2019	NEW DRAWING [CT198480]	CCL	UNLESS OTHERWISE SPECIFIED: ALL DIMENSIONS IN MILLIMETERS GENERAL TOLERANCES: X.XX ± 0.25 X.X ± 1.0 SURFACE FINISH X ± 1.5 MAX. ANGLES ± 0°30'
				KOHLER KOHLER, WISCONSIN 53044 THIS DRAWING IN DESIGN AND DETAIL IS KOHLER CO. PROPERTY AND MUST NOT BE USED EXCEPT IN CONNECTION WITH KOHLER CO. WORK. ALL RIGHTS OF DESIGN OR INVENTION ARE RESERVED.
				TITLE DIMENSION PRINT, 55REOZT4
APPROVALS		DATE		SCALE 0.10 CAD NO. SHEET 2 of 3
DRAWN CCL		04OCT2019		DWG NO. ADV-9174
CHECKED GFR		04OCT2019		
APPROVED AJW		04OCT2019		

CENTER OF GRAVITY DIMENSIONS		WEIGHT DRY KG [LBS]	WEIGHT WET KG [LBS]
MODEL	CG X	CG Y	
55REOZT4	1377 [54.2]	617 [24.3]	1973 [4350] / 2000 [4410]



EXTERNAL FUEL SUPPLY / RETURN 3/8" NPT FUEL SYSTEM MATERIAL SELECTION IS CRITICAL. SEE TP-5700 FOR DETAILS

FIELD DRAGGABLE 55REOZT4

REV	DATE	ON COMPOSITE DWGS, SEE PART NO. FOR REVISION LEVEL	BY	DO NOT SCALE, REFERENCE THE MODEL FOR ALL UNSPECIFIED DIMENSIONS
-	04OCT2019	NEW DRAWING [CT198480]	CCL	UNLESS OTHERWISE SPECIFIED: ALL DIMENSIONS IN MILLIMETERS GENERAL TOLERANCES: X.XX ± 0.25 X.X ± 1.0 SURFACE FINISH X ± 1.5 MAX. ANGLES ± 0°30'
				KOHLER KOHLER, WISCONSIN 53044 THIS DRAWING IN DESIGN AND DETAIL IS KOHLER CO. PROPERTY AND MUST NOT BE USED EXCEPT IN CONNECTION WITH KOHLER CO. WORK. ALL RIGHTS OF DESIGN OR INVENTION ARE RESERVED.
				TITLE DIMENSION PRINT, 55REOZT4
APPROVALS		DATE		SCALE 0.10 CAD NO. SHEET 3 of 3
DRAWN CCL		04OCT2019		DWG NO. ADV-9174
CHECKED GFR		04OCT2019		
APPROVED AJW		04OCT2019		