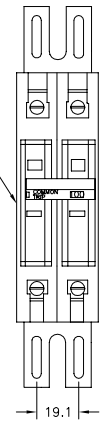


PART NO.	REV	VIEW	AMP - POLE - VOLT
GM22475	E	1	20A - 3 POLE - 240V
GM22476	E	1	25A - 3 POLE - 240V
GM22477	E	1	30A - 3 POLE - 240V
GM22478	E	1	40A - 3 POLE - 240V
GM22479	E	1	50A - 3 POLE - 240V
GM22480	E	1	60A - 3 POLE - 240V
GM22481	E	1	80A - 3 POLE - 240V
GM24462	C	2	80A - 2 POLE - 120/240V
GM22482	C	2	100A - 2 POLE - 120/240V
GM28792	D	2	125A - 2 POLE - 120/240V
GM42030	F	2	50A - 2 POLE - 120/240V

REV	DATE	REVISION	BY
D	12-19-02	(0-8) GM28792 ADDED; [66445]	BTW
E	4-1-05	(0-8) GM22475, GM22476, GM22477, GM22478, GM22479, GM22480	BTW
F	11-11-05	(0-8) GM22481 REINSTATED; GM42030 ADDED; [74820]	BTW
		(0-8) GM42030 VOIDED; [76589]	GFR

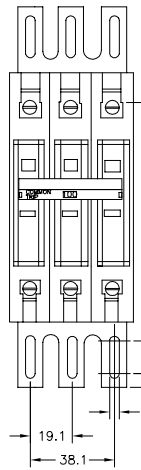
REVISION BLOCK INDICATES REVISION LEVEL OF DRAWING NOT PART REVISION, SEE PART REVISION LEVEL BEHIND PART NUMBER FOR CURRENT PART REVISION LEVEL.

VISI - TRIP WINDOW  
SIMULTANEOUS OPENING AND CLOSING OF ALL POLES  
WHEN CIRCUIT BREAKER TRIPS, HANDLE ASSUMES CENTER  
POSITION AND RED INDICATOR APPEARS NEAR WINDOW.



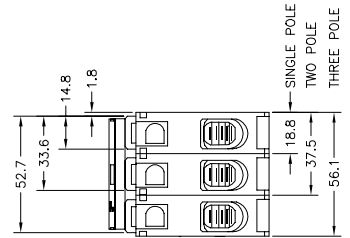
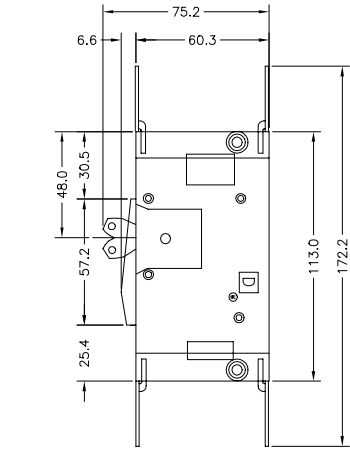
VIEW 2

64 [2.50] MIN. WIRE BENDING  
SPACE FOR 2/0 AWG  
38 [1.50] MIN. WIRE BENDING  
SPACE FOR 4 AWG  
TYP. BOTH ENDS FOR ALL CB'S SHOWN  
PER ARTICAL 430-1-(B) NEC



VIEW 1

SLOT DIM'S. TYP.  
FOR BOTH VIEWS



NOTE:  
DIMENSIONS IN [ ] ARE IN ENGLISH  
EQUIVALENTS.

METRIC CAD FILE

UNLESS OTHERWISE SPECIFIED: 1) DIMENSIONS ARE IN MILLIMETERS 2) TOLERANCES ARE: DIM ± 0.25 LOC ± 0.25 HOLE ± 0.10 ANGLES ± 0.50°		<b>KOHLER CO.</b> POWER SYSTEMS, KOHLER, WI 53044 U.S.A. THIS DRAWING, AS DESIGNED AND DETAIL IS KOHLER CO. PROPERTY AND MUST NOT BE USED WITHOUT PERMISSION FROM KOHLER CO. WORK ALL RIGHTS OF DESIGN OR INVENTION ARE RESERVED.	
APPROVED	DATE	TITLE	SCALE
BTW	10-31-01	BREAKER, CIRCUIT	FULL
CHECKED	DATE	DWG NO.	SHEET
JIS	11-02-01	GM22475.DWG	1-1
APPROVED	DATE	REV. NO.	
WA	11-12-01	GM22475	D