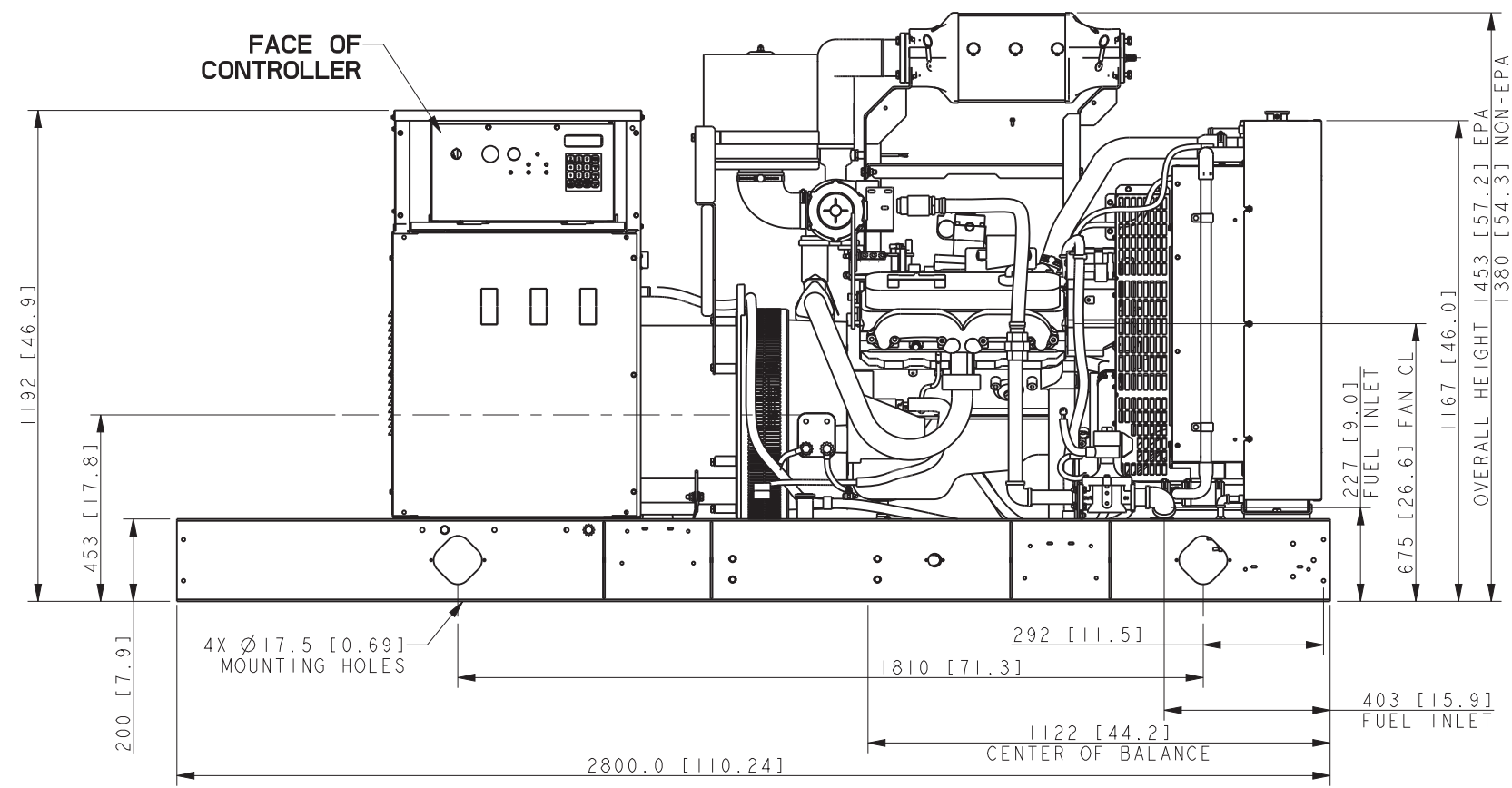
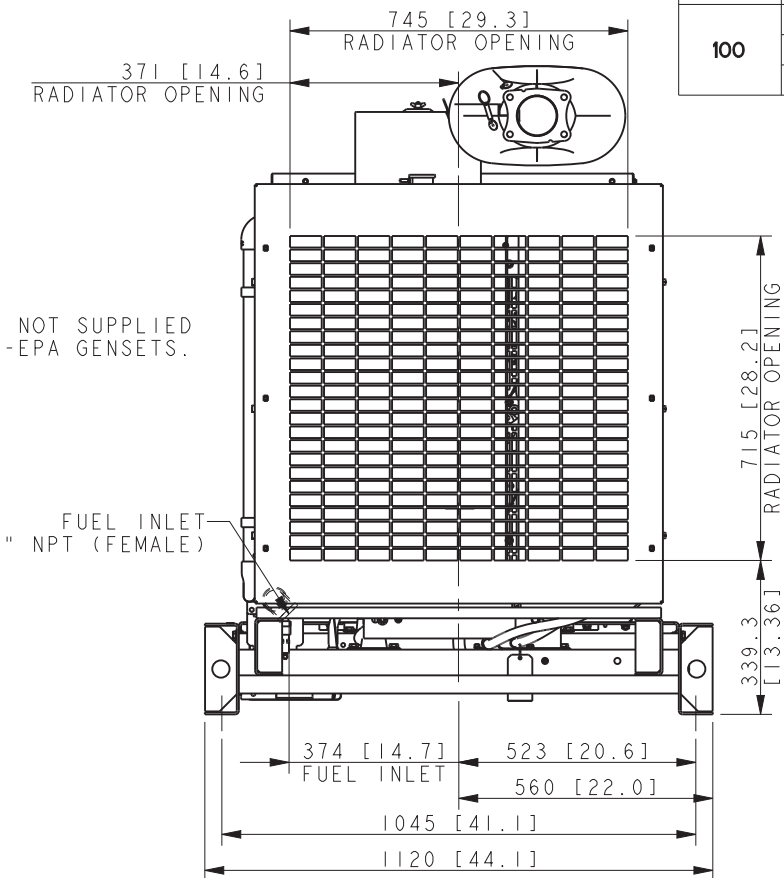


WEIGHT WET			
MODEL	ALTERNATOR	KG	LBS
100	4R9X	1300	2865
	4R12X	1386	3055
	4T13X	1403	3094



NOTE: CATALYST NOT SUPPLIED WITH NON-EPA GENSETS.



DIMENSIONS IN [] ARE ENGLISH STANDARD EQUIVALENTS

100 MODEL
4R9X/4R12X/4T13X
RECONNECTABLE
IMPROVED MOTOR STARTING (IMS) RECONNECTABLE
& 600V ALTERNATORS
5.7L GM TURBO/CAC

REV	DATE	ON COMPOSITE DWGS. SEE PART NO. FOR REVISION LEVEL	BY
-	3-24-11	NEW DRAWING [90651-6]	CWF

UNLESS OTHERWISE SPECIFIED -
1) DIMENSIONS ARE IN MILLIMETERS
2) TOLERANCES ARE:
X.XX ±
X.X ±
X ±
ANGLES ±

THIRD ANGLE PROJECTION

APPROVALS DATE

DRAWN CWF 3-24-11

CHECKED CWF 3-24-11

APPROVED GDF 3-24-11

SURFACE FINISH MAX.

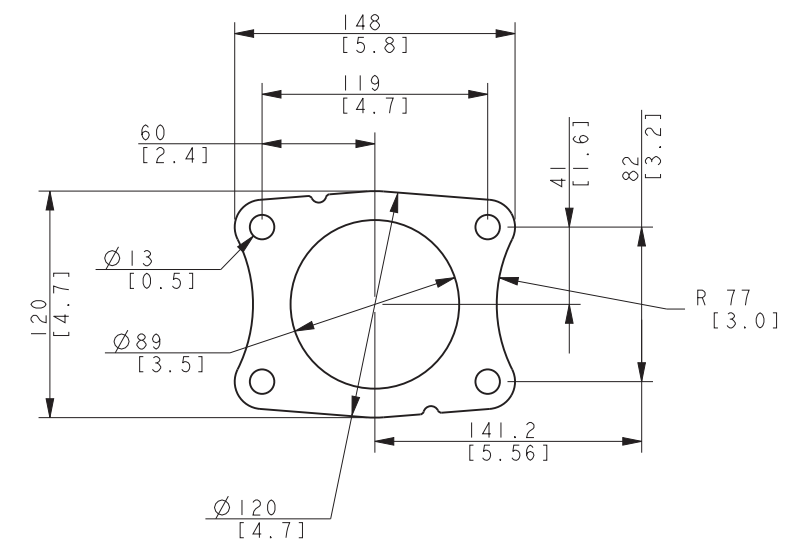
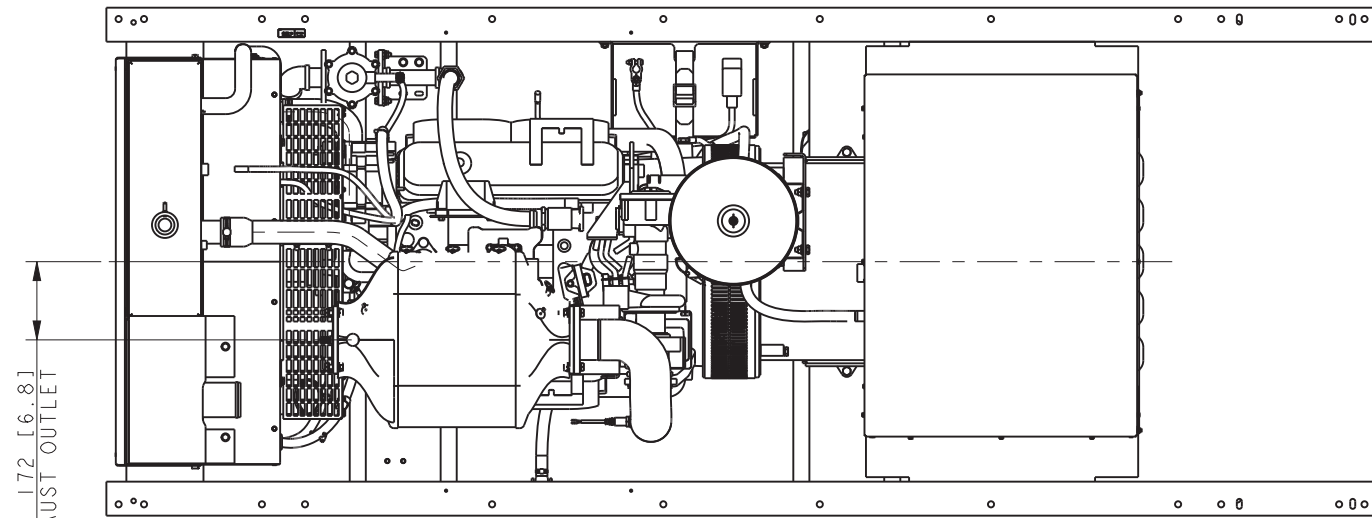
KOHLER CO. METRIC PRO-E

POWER SYSTEMS, KOHLER, WI 53044 U.S.A.
THIS DRAWING IN DESIGN AND DETAIL IS KOHLER CO. PROPERTY AND MUST NOT BE USED EXCEPT IN CONNECTION WITH KOHLER CO. WORK. ALL RIGHTS OF DESIGN OR INVENTION ARE RESERVED.

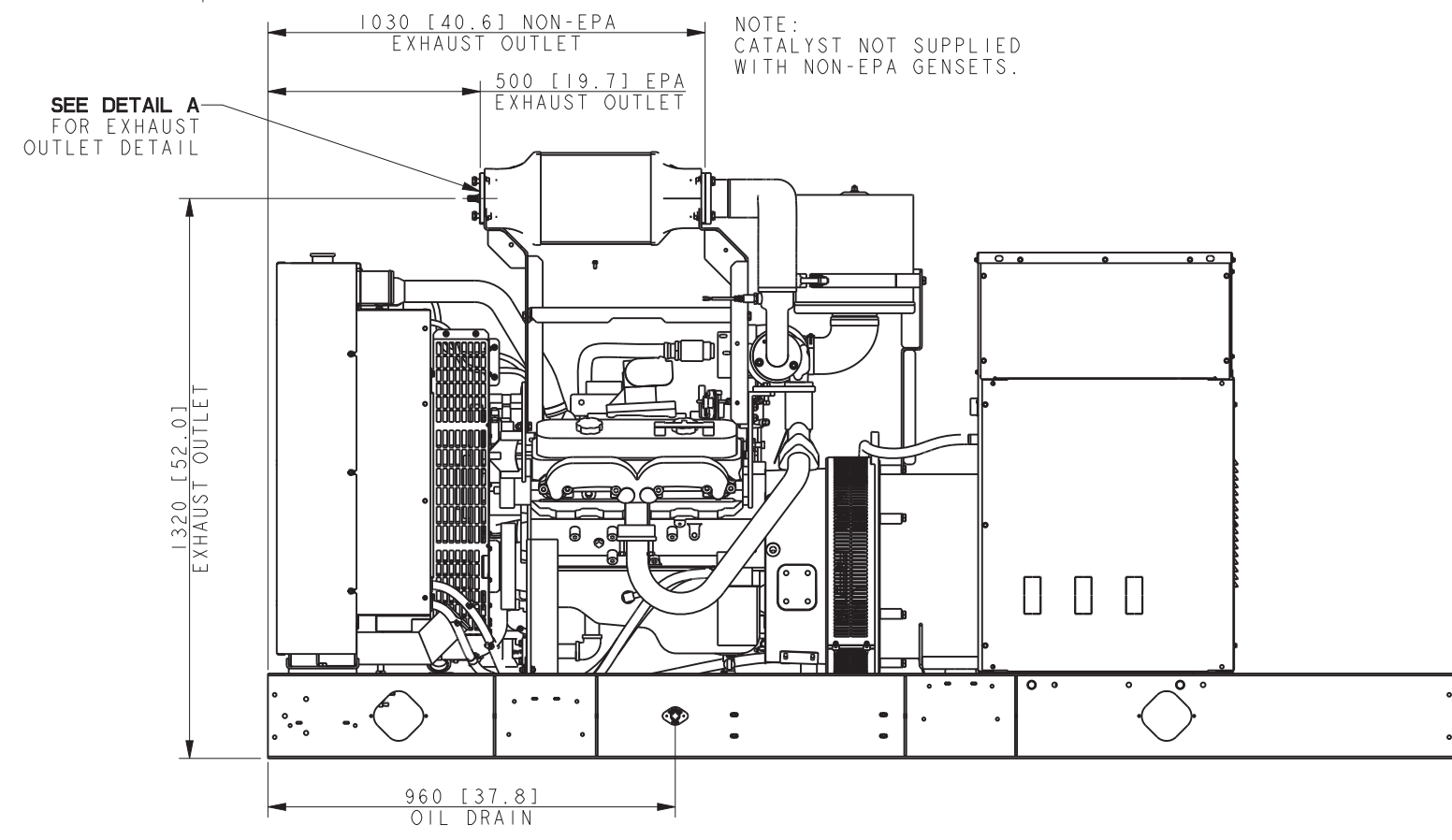
TITLE
DIMENSION PRINT, 100KW GM 5.7L TURBO, 4RX

SCALE 0.40 CAD NO. SHEET 1 of 2

DWG NO. **ADV-8166**



**EXHAUST OUTLET
DETAIL A**
SCALE 0.50



DIMENSIONS IN [] ARE ENGLISH STANDARD EQUIVALENTS

100 MODEL
4R9X/4R12X/4T13X
RECONNECTABLE
IMPROVED MOTOR STARTING (IMS) RECONNECTABLE
& 600V ALTERNATORS
5.7L GM TURBO/CAC

REV	DATE	ON COMPOSITE DWGS. SEE PART NO. FOR REVISION LEVEL	BY	UNLESS OTHERWISE SPECIFIED - 1) DIMENSIONS ARE IN MILLIMETERS 2) TOLERANCES ARE:	COHLEH CO. METRIC PRO-E
-	3-24-11	NEW DRAWING [90651-6]	CWF	X.XX ± X.X ± X ± ANGLES ±	POWER SYSTEMS, KOHLER, WI 53044 U.S.A. THIS DRAWING IN DESIGN AND DETAIL IS KOHLER CO. PROPERTY AND MUST NOT BE USED EXCEPT IN CONNECTION WITH KOHLER CO. WORK. ALL RIGHTS OF DESIGN OR INVENTION ARE RESERVED.
				THIRD ANGLE PROJECTION	TITLE DIMENSION PRINT, 100KW GM 5.7L TURBO, 4RX
				APPROVALS	SCALE 0.40 CAD NO. SHEET 2 of 2
				DATE	DWG NO. ADV-8166
				DRAWN CWF 3-24-11	
				CHECKED CWF 3-24-11	
				APPROVED GDF 3-24-11	