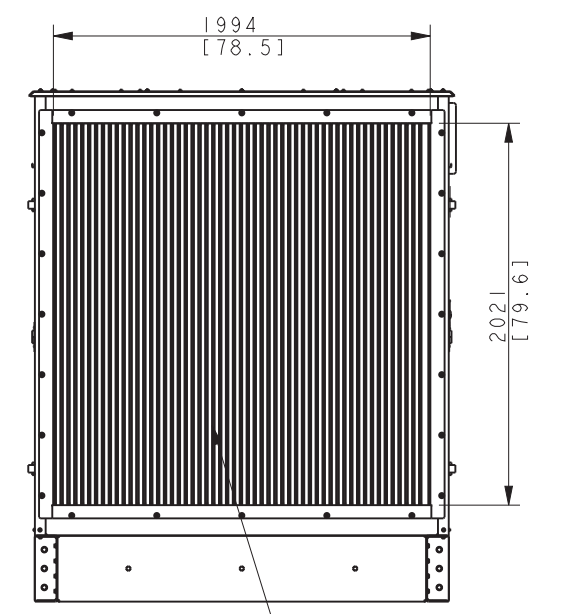
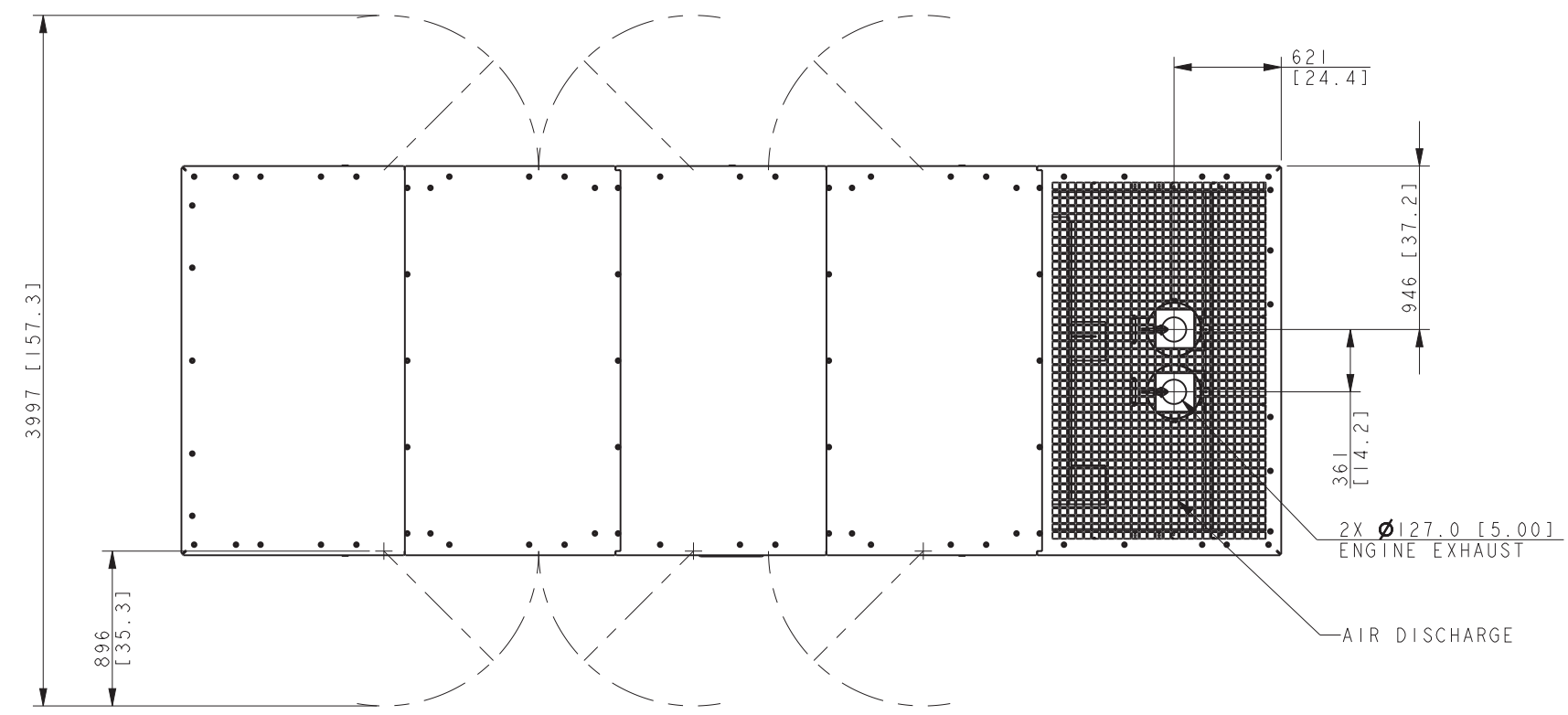
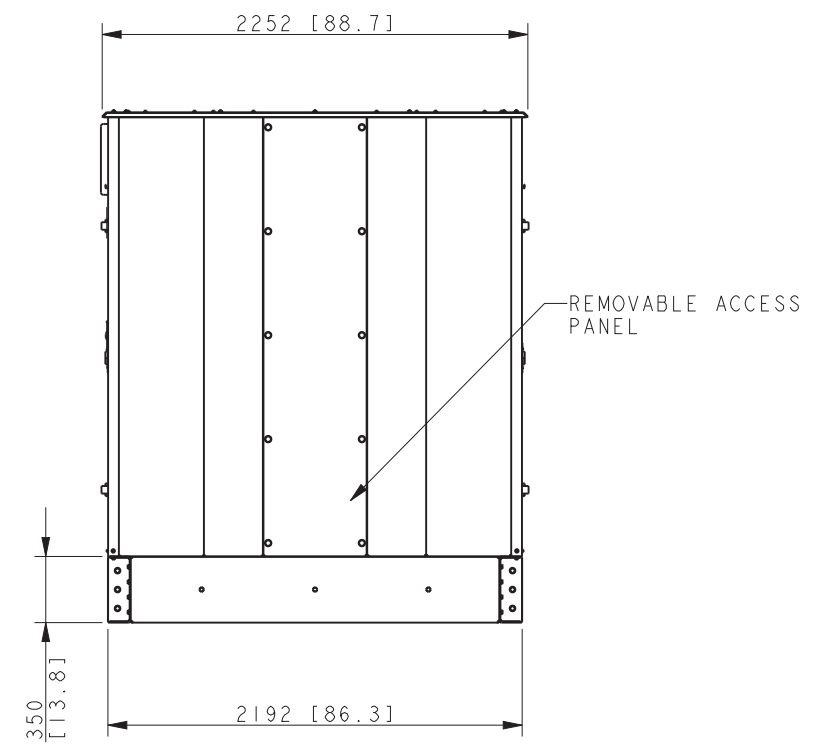
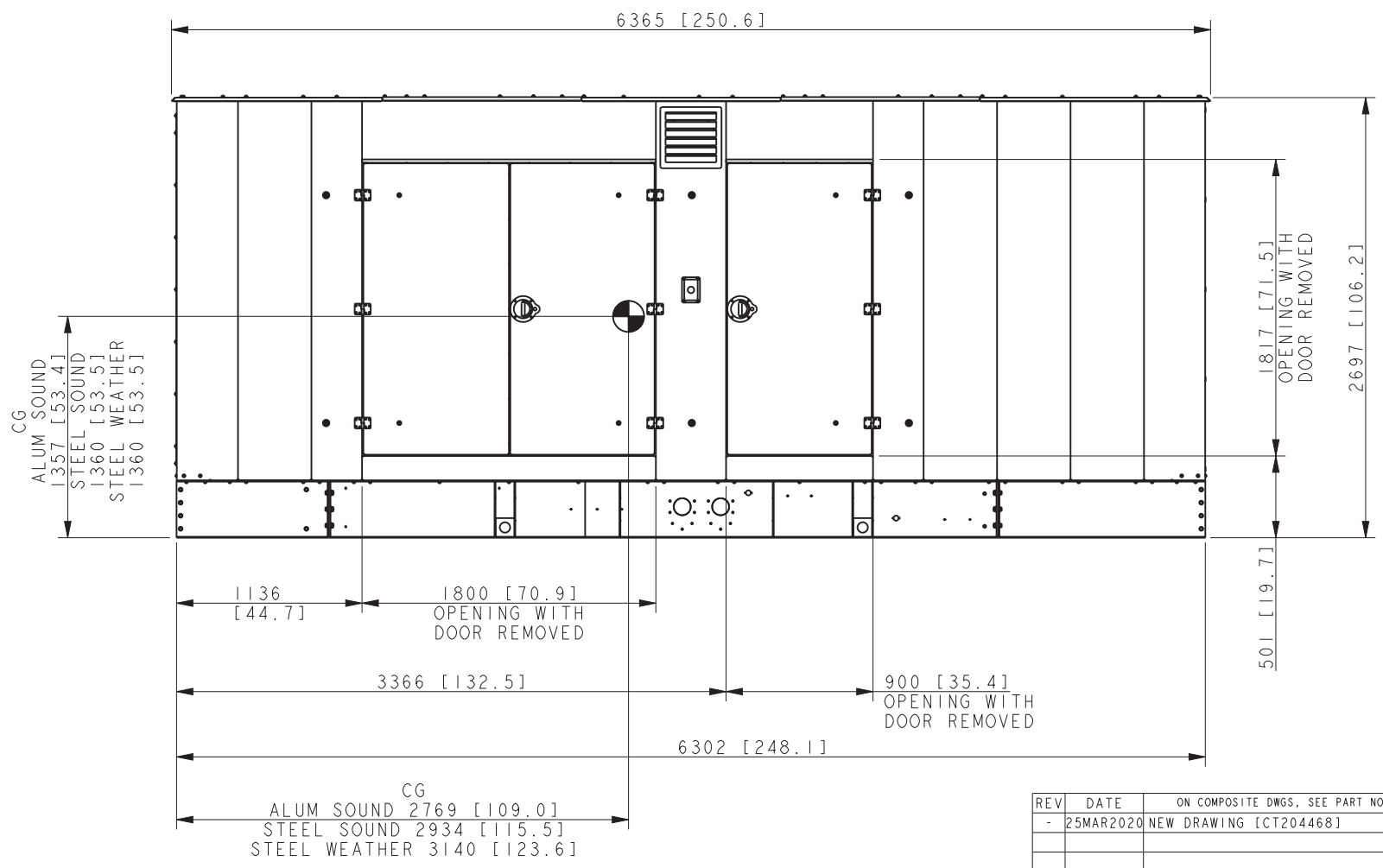


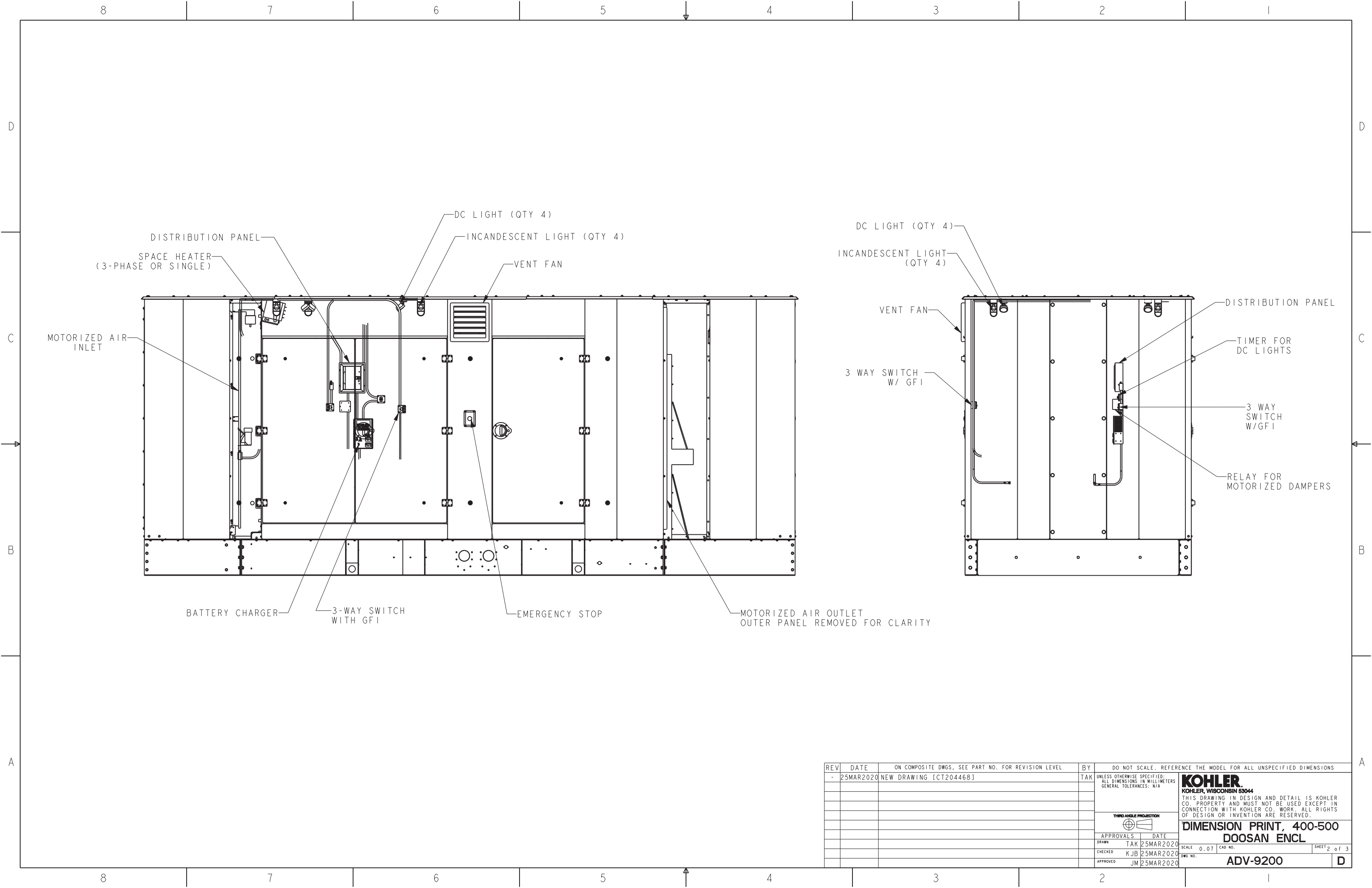
MODEL	ENCLOSURE WEIGHT	
	400-500 REZXD	STEEL SOUND
STEEL WEATHER		1882 Kg [4150 LBS]
ALUM SOUND		1656 Kg [3650 LBS]




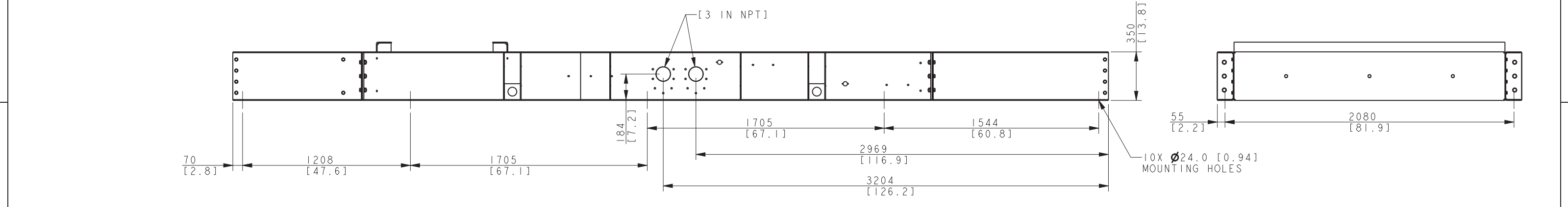
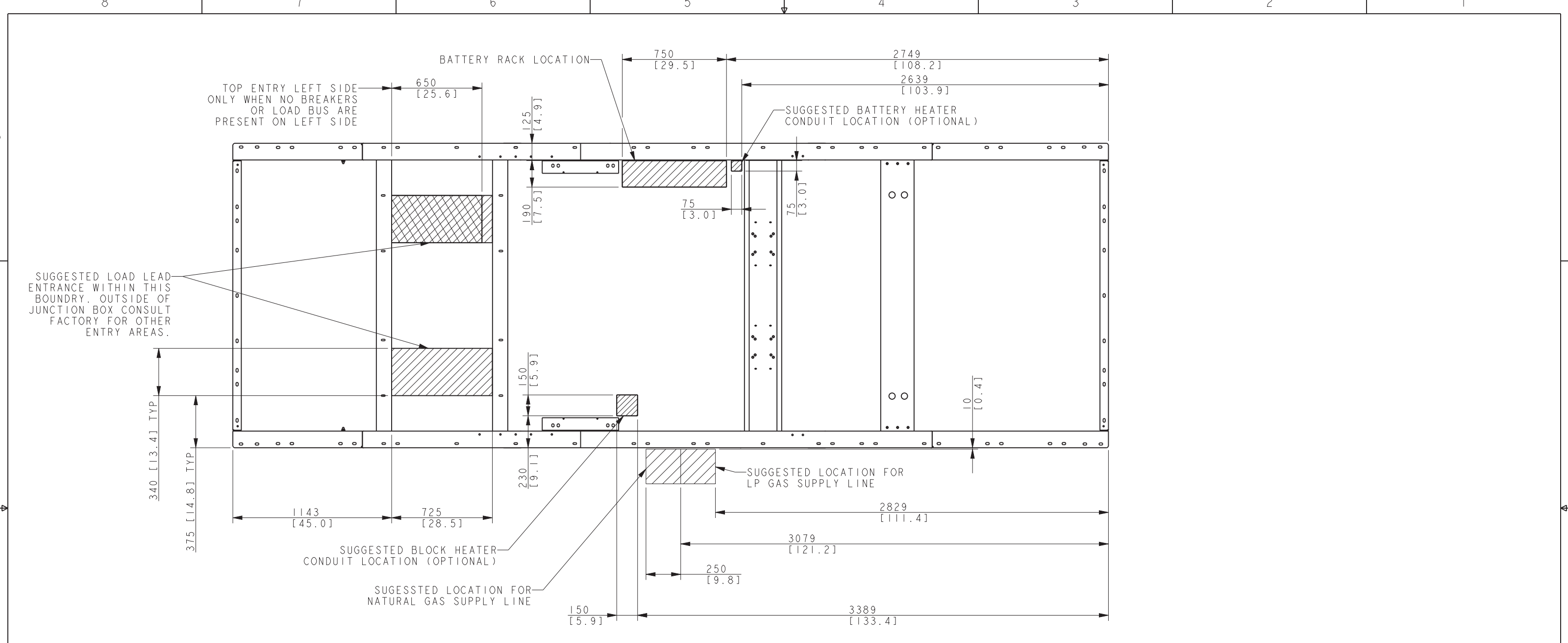
AIR INTAKE LOUVER



REV	DATE	ON COMPOSITE DWGS, SEE PART NO. FOR REVISION LEVEL	BY	DO NOT SCALE, REFERENCE THE MODEL FOR ALL UNSPECIFIED DIMENSIONS
-	25MAR2020	NEW DRAWING [CT204468]	TAK	UNLESS OTHERWISE SPECIFIED: ALL DIMENSIONS IN MILLIMETERS GENERAL TOLERANCES: N/A
				KOHLER KOHLER, WISCONSIN 53044 THIS DRAWING IN DESIGN AND DETAIL IS KOHLER CO. PROPERTY AND MUST NOT BE USED EXCEPT IN CONNECTION WITH KOHLER CO. WORK. ALL RIGHTS OF DESIGN OR INVENTION ARE RESERVED. DIMENSION PRINT, 400-500 DOOSAN ENCL SCALE 0.05 CAD NO. SHEET 1 of 3 ADV-9200



REV	DATE	ON COMPOSITE DWGS. SEE PART NO. FOR REVISION LEVEL	BY	DO NOT SCALE. REFERENCE THE MODEL FOR ALL UNSPECIFIED DIMENSIONS
-	25MAR2020	NEW DRAWING [CT204468]	TAK	UNLESS OTHERWISE SPECIFIED: ALL DIMENSIONS IN MILLIMETERS GENERAL TOLERANCES: N/A
				KOHLER. KOHLER, WISCONSIN 53044 THIS DRAWING IN DESIGN AND DETAIL IS KOHLER CO. PROPERTY AND MUST NOT BE USED EXCEPT IN CONNECTION WITH KOHLER CO. WORK. ALL RIGHTS OF DESIGN OR INVENTION ARE RESERVED. DIMENSION PRINT, 400-500 DOOSAN ENCL SCALE 0.07 CAD NO. SHEET 2 of 3 DWG NO. ADV-9200
				THIRD ANGLE PROJECTION  APPROVALS DATE DRAWN TAK 25MAR2020 CHECKED KJB 25MAR2020 APPROVED JM 25MAR2020



REV	DATE	ON COMPOSITE DWGS. SEE PART NO. FOR REVISION LEVEL	BY	DO NOT SCALE. REFERENCE THE MODEL FOR ALL UNSPECIFIED DIMENSIONS
-	25MAR2020	NEW DRAWING [CT204468]	TAK	UNLESS OTHERWISE SPECIFIED: ALL DIMENSIONS IN MILLIMETERS GENERAL TOLERANCES: N/A
				KOHLER. KOHLER, WISCONSIN 53044 THIS DRAWING IN DESIGN AND DETAIL IS KOHLER CO. PROPERTY AND MUST NOT BE USED EXCEPT IN CONNECTION WITH KOHLER CO. WORK. ALL RIGHTS OF DESIGN OR INVENTION ARE RESERVED.
				THIRD ANGLE PROJECTION
				DIMENSION PRINT, 400-500 DOOSAN ENCL
				SCALE 0.08 CAD NO. SHEET 3 of 3
				ADV-9200 D